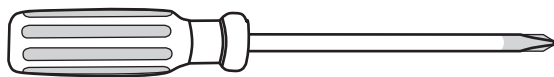
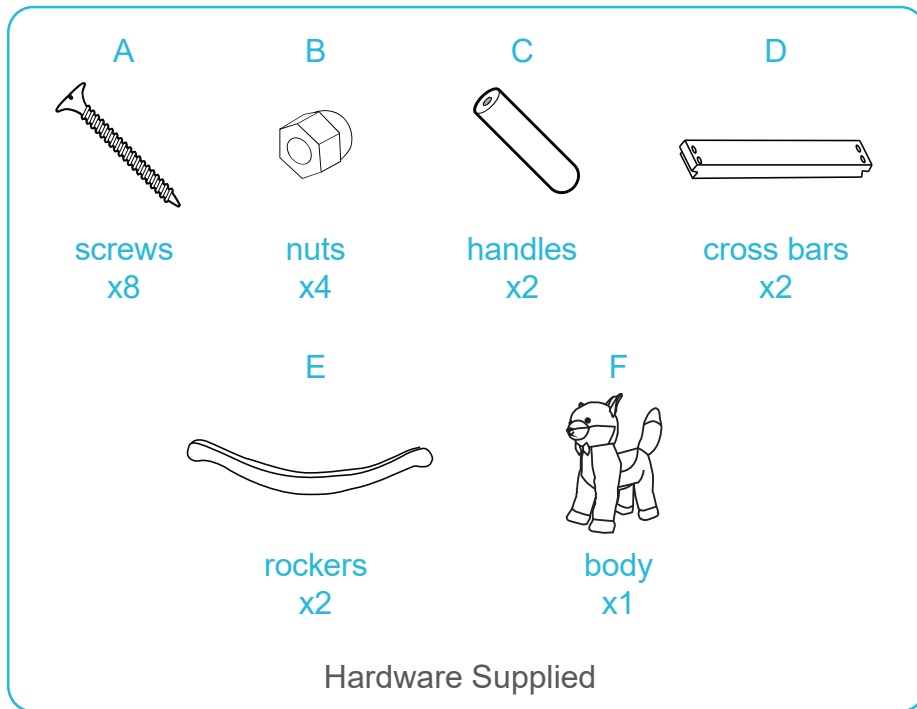


Kids Rocking Fox

Assembly Instructions

Thank you for your purchase.
Please follow the instructions below for correct assembly.



Phillips & Flathead screwdrivers required.

For quicker assembly, we recommend the use of a power drill on a low-speed setting.

mocka



WARNING: Due to the small size of the hardware and the sharp points of the screws, they are potentially hazardous.

Keep all assembly parts and packaging materials out of reach of children

Retain packaging information for future reference

Adult assembly required

AGE RECOMMENDATION 18m+

Kids Rocking Fox

Assembly Instructions

mocka

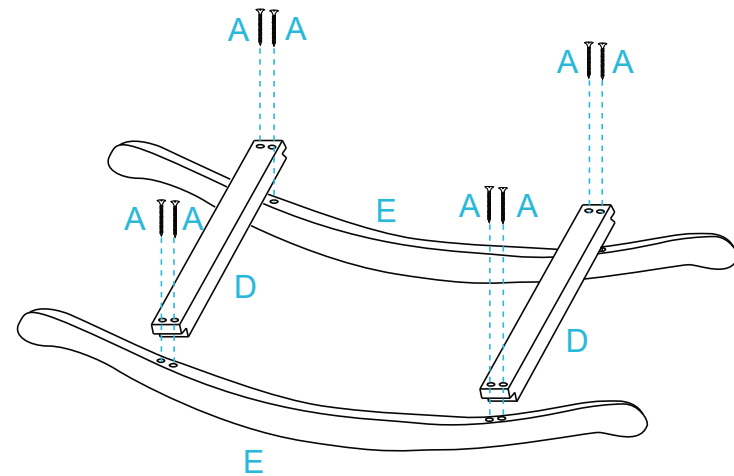
WARNINGS:

- Dispose of all packaging carefully and responsibly.
- Colour reproduction is as accurate as possible within the limitations of the manufacturing process. Also note, colours may vary under different lighting.
- Children should always wear appropriate shoes/ trainers.
- Only one child at a time should ride this toy.
- Use under adult supervision.
- Do not leave children sitting or playing unattended.
- Ensure that all the screws are firmly screwed. Check and tighten all screws and bolts periodically.
- Item to be fully assembled by an adult.
- Keep small parts out of reach from children and pets.
- We do not recommend the use of power tools for inserting screws, as this could damage the item. Only use hand screwdrivers.
- For indoor use only. Never use near steps, slopes or water.
- Keep away from heat sources and fire.
- Use a clean work surface. Remove all fittings from the plastic bags and separate into their groups, checking all components are present before assembly

CARE AND MAINTENANCE:

- Wash surface only with a damp cloth.
- Do not use chemical abrasive cleaners, bleaches or furniture polishes as the finish could be affected.
- Not suitable for children under 18 months.
- Max user weight – 30Kgs.
- Please retain this information for future reference.

1



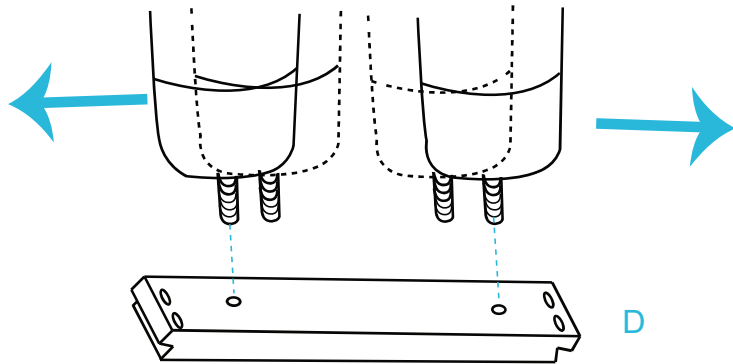
Attach 2 x cross bars (D) to 2 x rockers (E) and secure with 8 x screws (A). Tighten with a screwdriver.

Kids Rocking Fox

Assembly Instructions

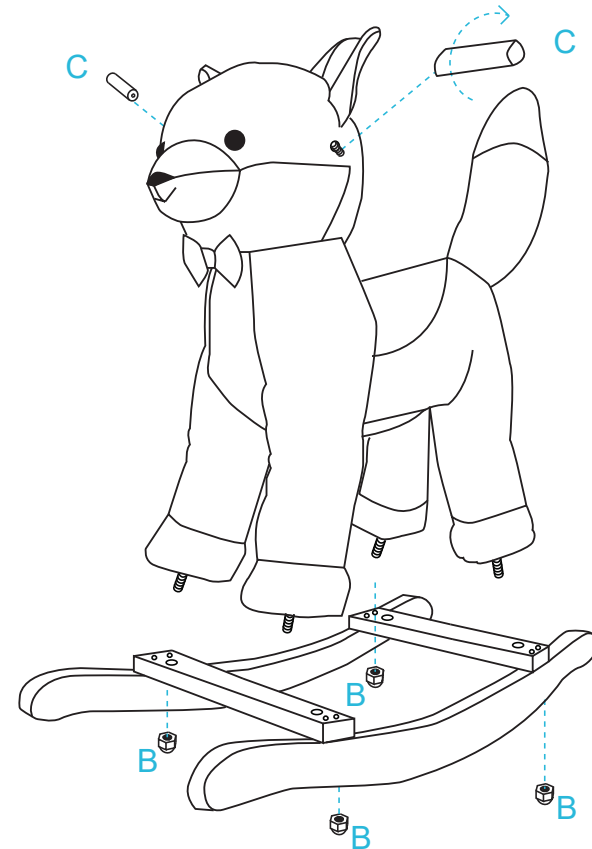
mocka

2



Insert the ends of the legs into the 2 x cross bars (D) holes as shown. If the holes on the cross bar (D) are not lining up, place one leg in the hole on the cross bar (D) and then apply pressure to get the other leg to match up with the second hole on the cross bar (D).

3



Attach 1 x body (F) to the assembled rocker and secure with 4 x nuts (B) and tighten. Attach 2 x handles (C) onto the body (F) as shown and rotate to tighten.