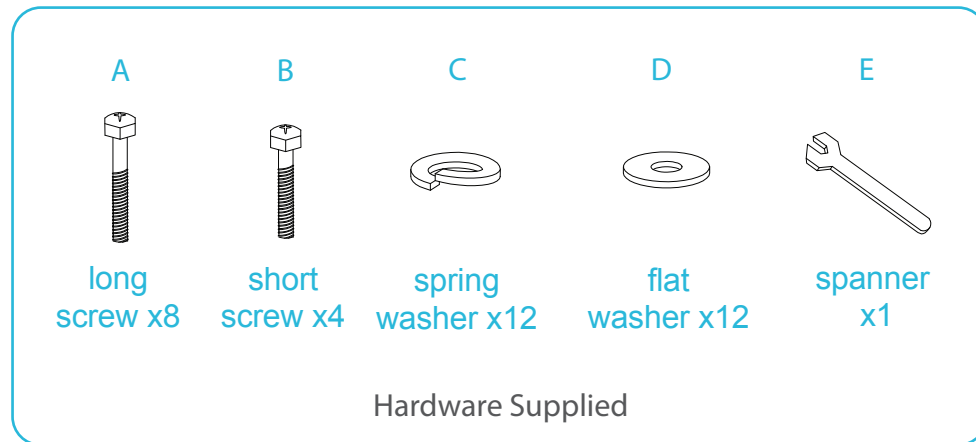


Kai Dining Table

Assembly Instructions

Thank you for your purchase.
Please follow the instructions below for correct assembly.

mocka



Before assembling, place all wooden furniture parts on a clean and flat surface to prevent scratches.

Do not fully tighten the nuts or nut bolts until all are in place.

To prevent thread damage, ensure that the nuts or nut bolts are not over-tightened.

Keep hardware out of reach of children.

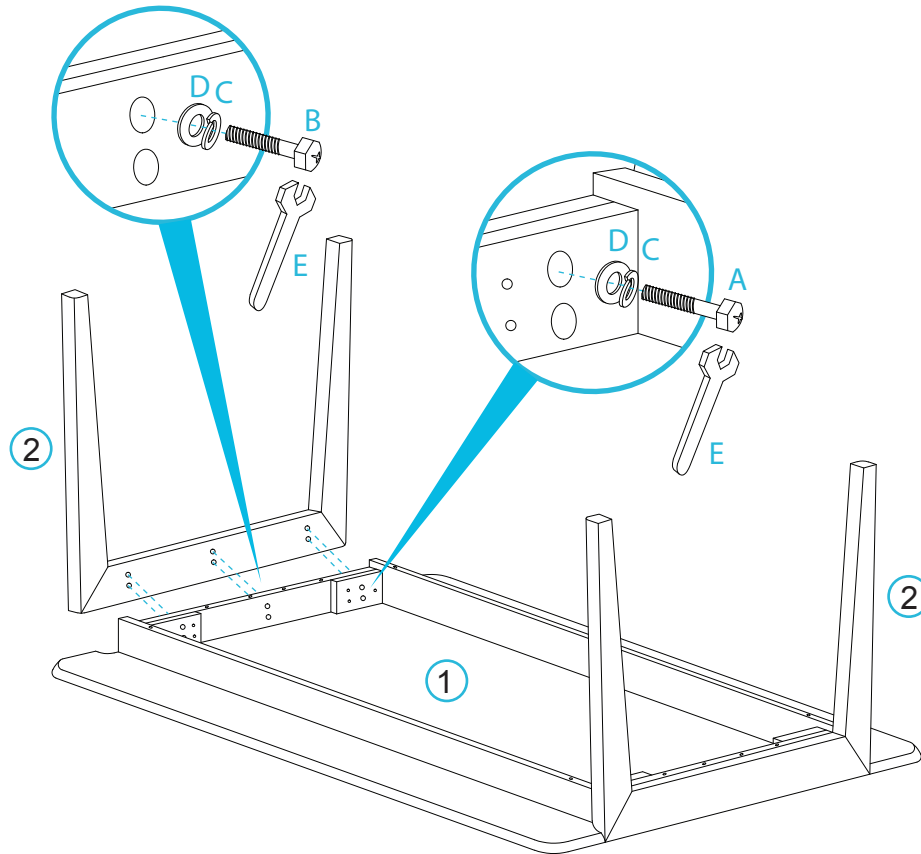


Kai Dining Table

Assembly Instructions

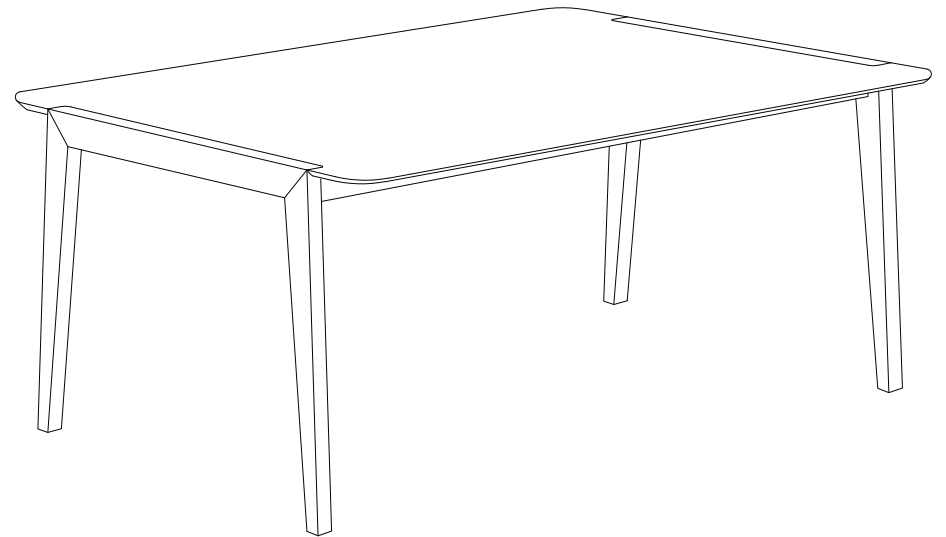
mocka

1



Carefully turn the table top [1] upside down and attach the legs [2] as shown. Use 8x flat washers (D), 8x spring washers (C) and 8x long screws (A) to secure the outer ends. Use 4x flat washers (D), 4x spring washers (C) and 4x short screws (A) for the inner holes. Tighten with the spanner (E).

2



Carefully turn the table onto its legs, ensuring it is balanced and steady before use. You're done, enjoy!