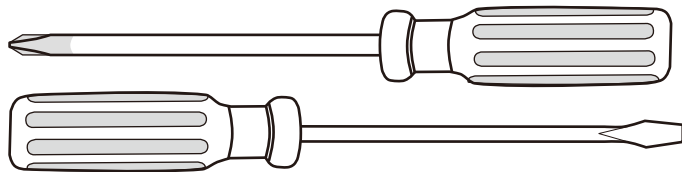
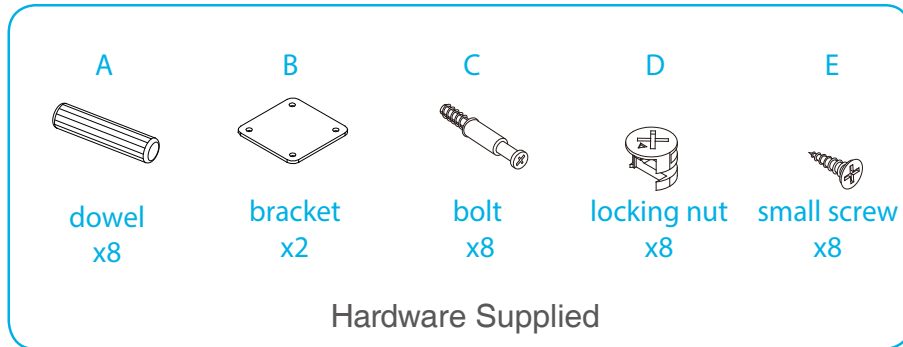


# Jesse Changing Tray

## Assembly Instructions

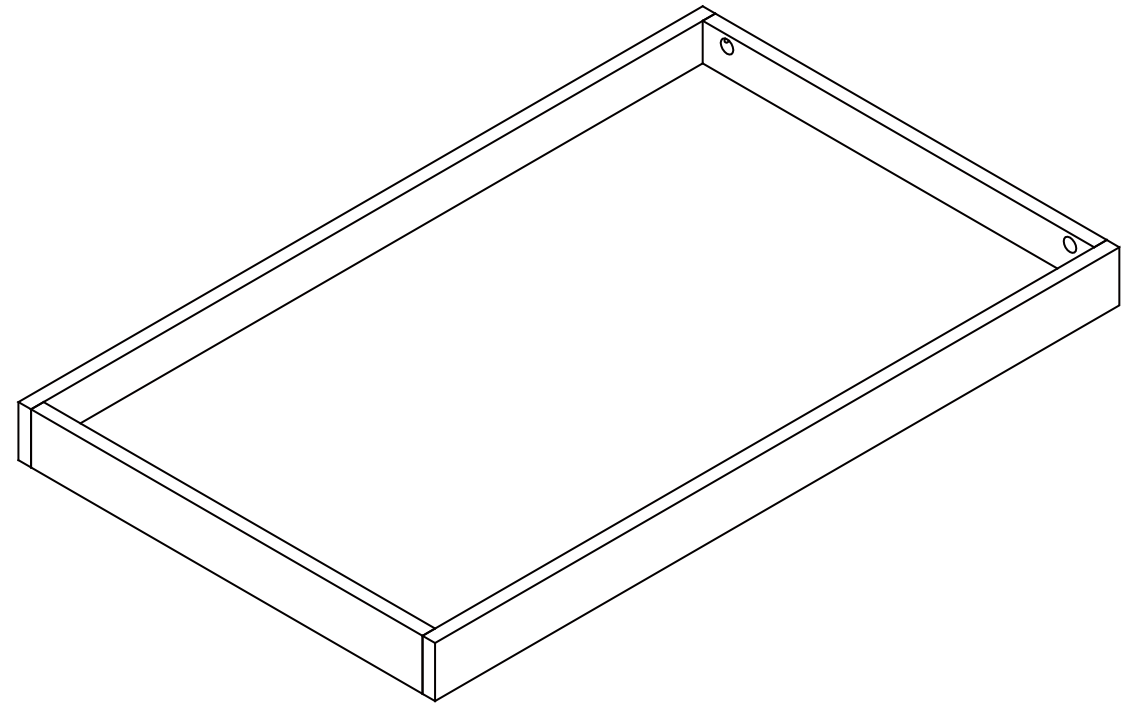
Thank you for your purchase.  
Please follow the instructions below for correct assembly.

# mocka



Phillips & Flathead screwdrivers required.

**For quicker assembly, we recommend the use of a power drill on a low-speed setting.**



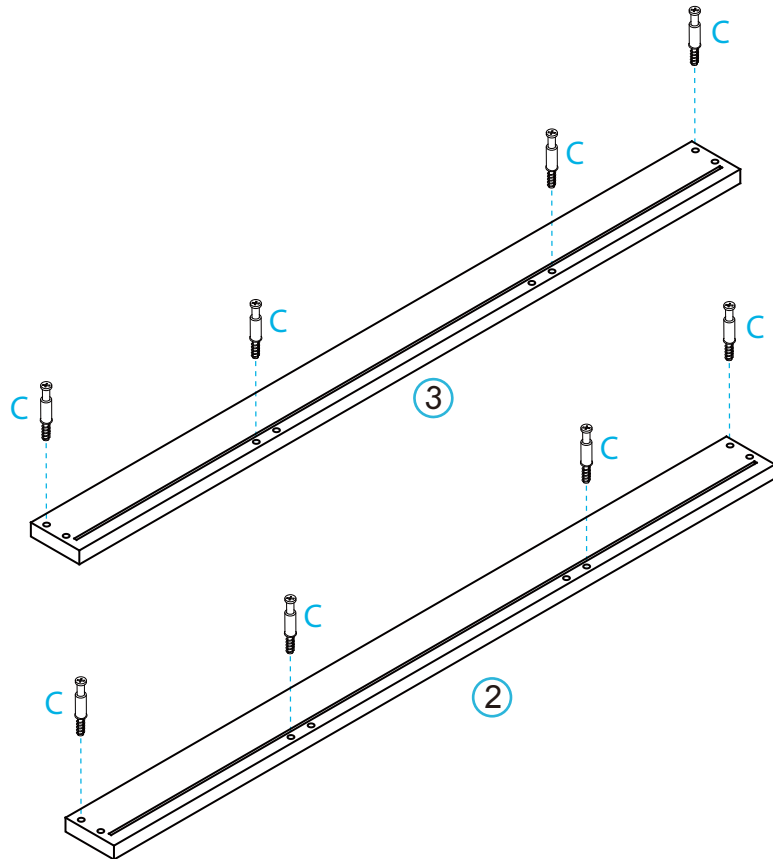
**WARNING:** Any furniture that is not anchored to a wall has the potential to tip over in certain circumstances, i.e. if a child attempts to climb up on the furniture or in the event of an earthquake. Accordingly, we recommend that all furniture is anchored to a wall. We supply a free safety wall anchor with all furniture sold and we recommend these are used to prevent your product tipping. The fixing device provided should fit most wall types, but please note that different wall materials may require different fixing devices from those supplied.

# Jesse Changing Tray

## Assembly Instructions

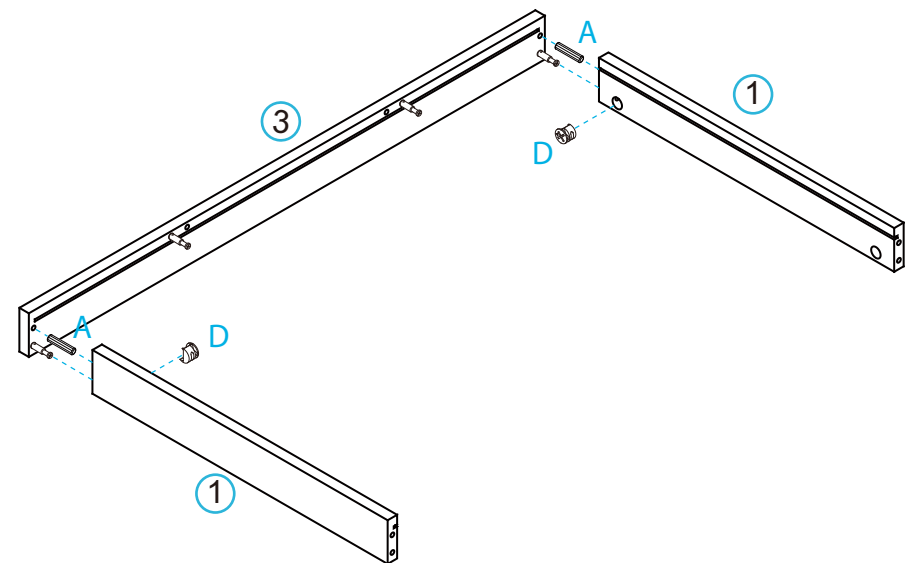
# mocka

# 1



Insert 4x cam bolts (C) into panel [2]. Insert 4x cam bolts (C) into panel [3]. Tighten with a screwdriver.

# 2



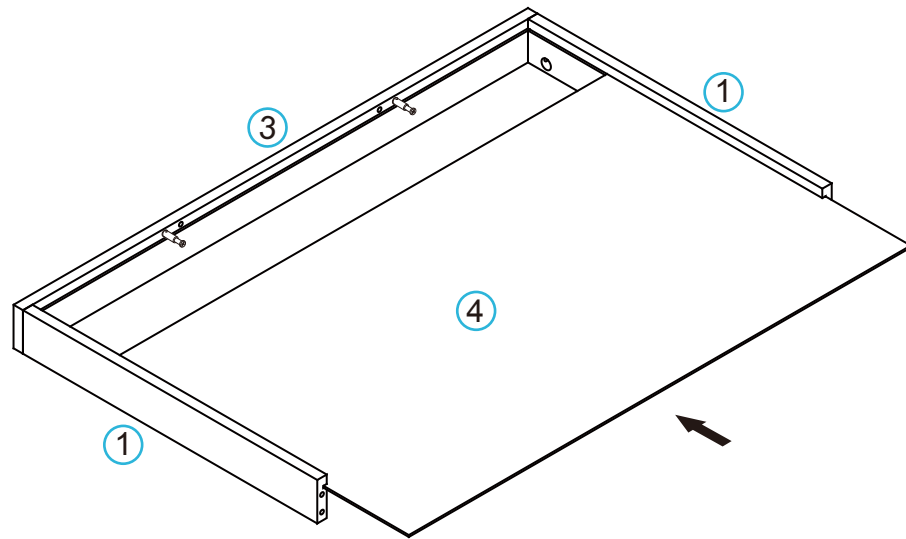
Insert 2x dowels (A) into panel [3]. Attach panels [1] and [3] using 2x locking nuts (D). Tighten with a screwdriver.

# Jesse Changing Tray

## Assembly Instructions

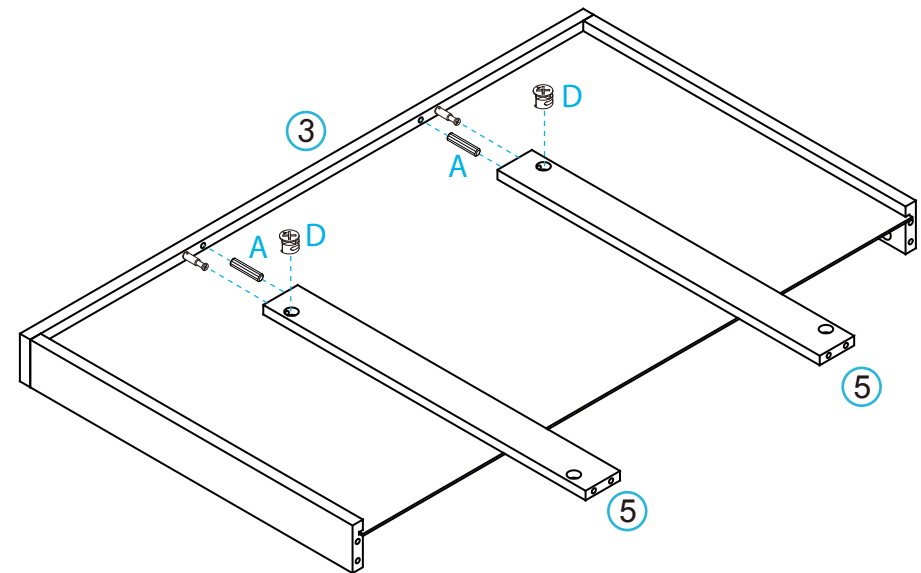
# mocka

### 3



Slide panel [4] along the grooves between the side panels [1] to form the base of the tray.

### 4



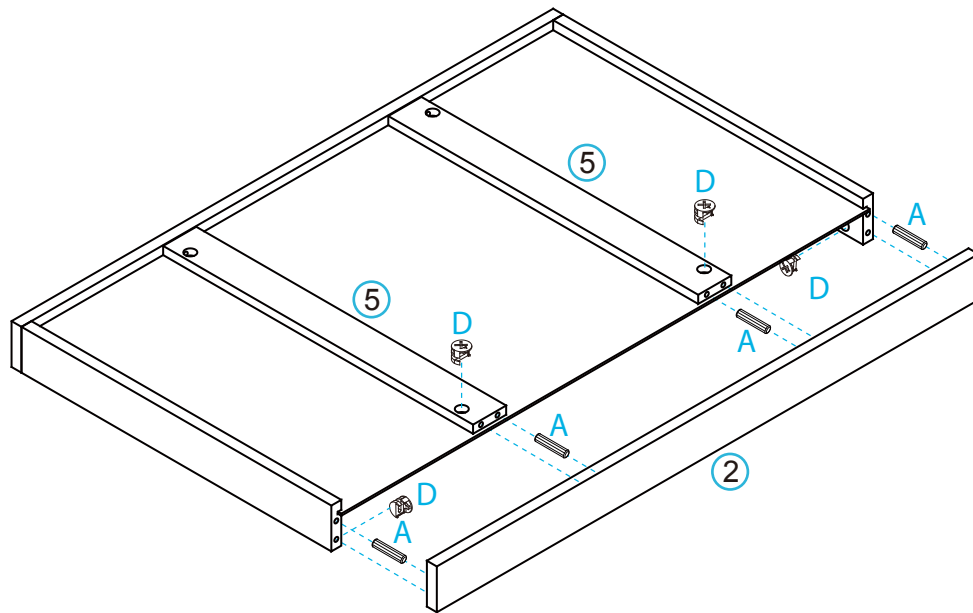
Insert 2x dowels (A) into panel [3]. Attach panels [5] and [3] using 2x locking nuts (D). Tighten with a screwdriver.

# Jesse Changing Tray

## Assembly Instructions

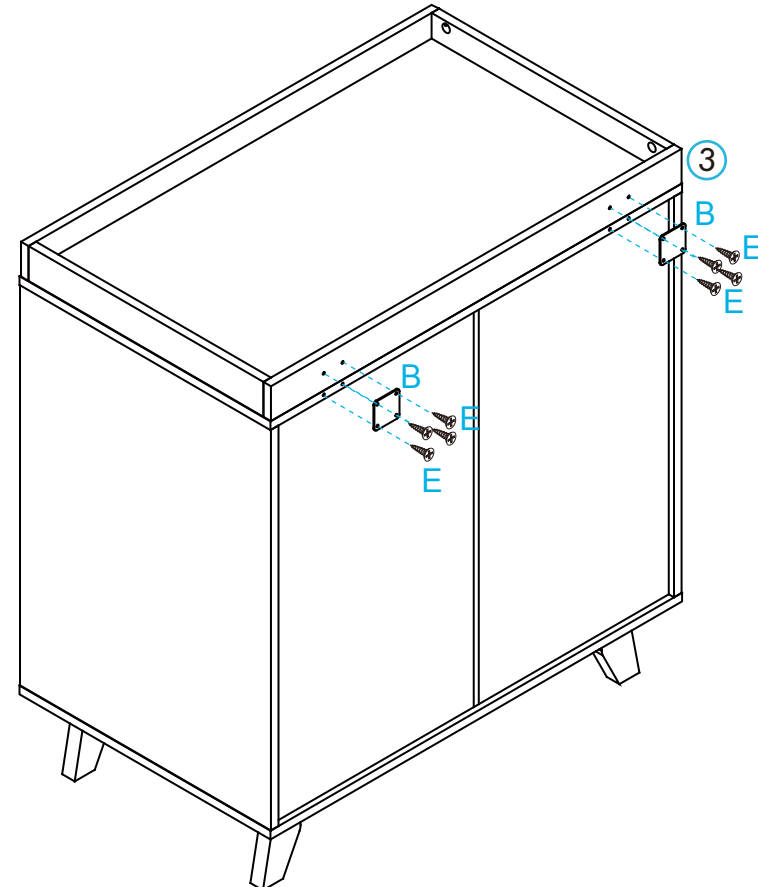
# mocka

### 5



Insert 4x dowels (A) into panel [2]. Attach panels [1], [5] and [2] using 4x locking nuts (D). Tighten with a screwdriver.

### 6



Attach tray to the unit using 2x bracket (B) and secure with 8x screw (E). Tighten with a screwdriver. You're done, enjoy!