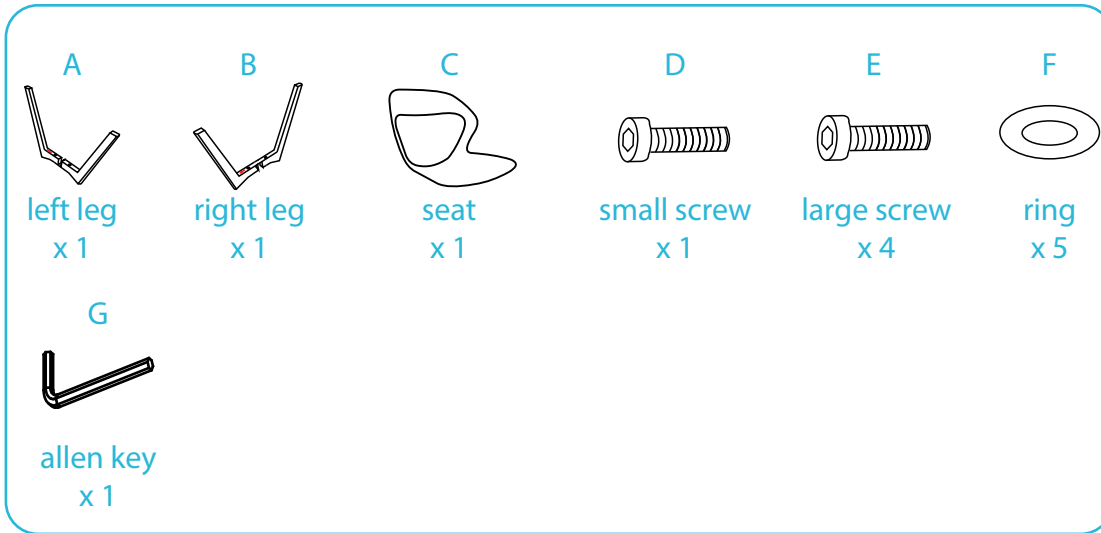


Jasper Dining Chair

Assembly Instructions

Thank you for your purchase.
Please follow the instructions below for correct assembly.



mocka

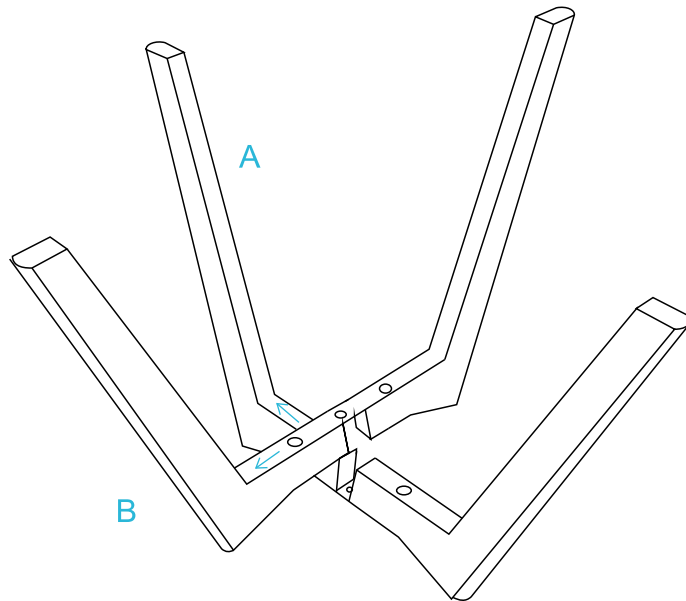


Jasper Dining Chair

Assembly Instructions

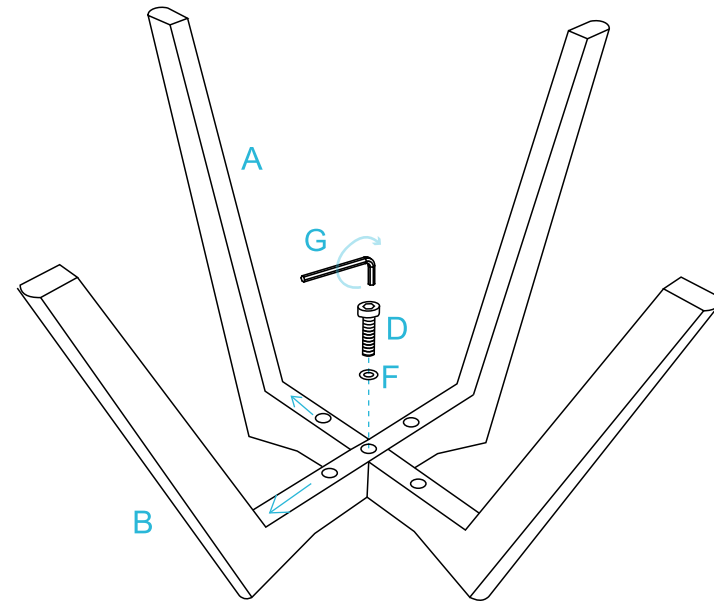
mocka

1



Attach left leg (A) and right leg (B) as shown.

2



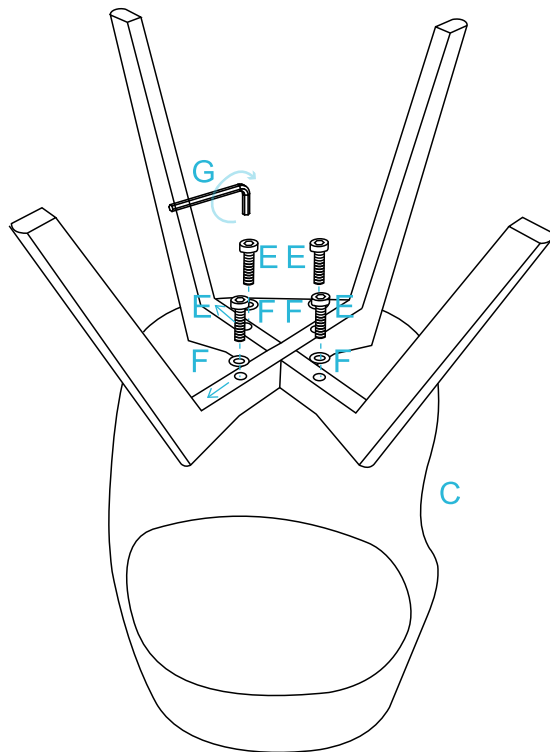
Secure with 1x ring (F) and 1x small screw (D). Tighten with an Allen key (G).

Jasper Dining Chair

Assembly Instructions

mocka

3



Attach 1x seat (C) and secure with 4x large screws (E) and 4 x rings (F). Tighten with an Allen key (G). You're done, enjoy!