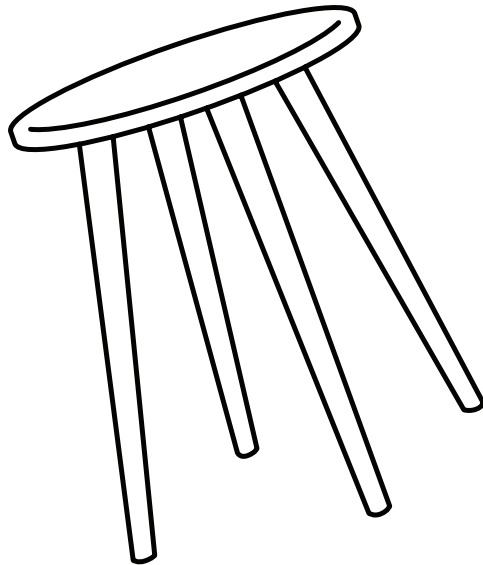
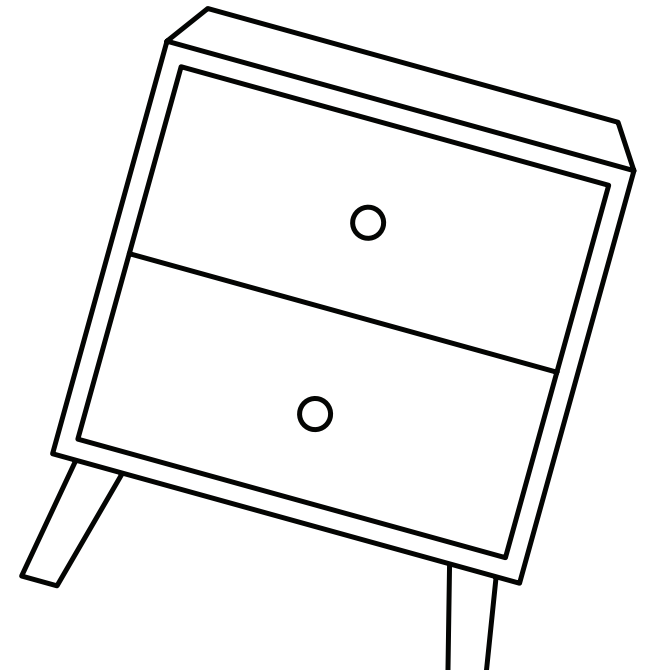
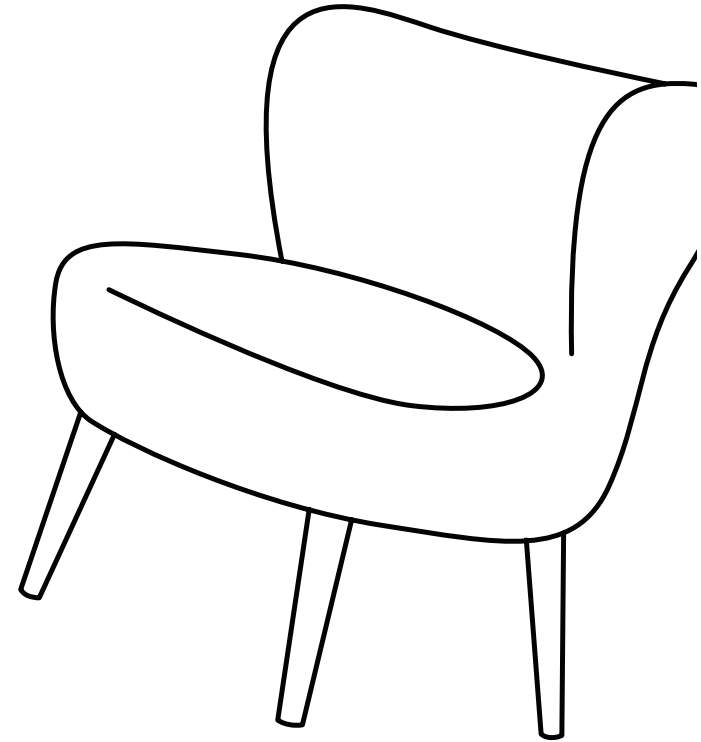


Hello, I've arrived!

Now that I'm here you are only one
flat-pack away from transforming
your home.



Mocka.



Thank you for supporting us.

We believe design belongs to everyone. From materials and processes to safety testing, production and delivery, we are passionate and committed to bringing you the best possible product so you can create beautifully functional spaces to feel comfortably you.

Here are a few assembly tips before you get started:



Make Time

The first step to all seamless assembly is taking a moment to carefully read through the instructions—you are already on your way to creating a beautifully functional space!



Set The Mood

Put on your favourite playlist, order that pizza and pour yourself a drink to get in the mood!



Tool Check

Layout the instructions, screws and panels to check you have everything you need. A blanket or soft floor rug will help protect your new favourite item from scratches and a drill will speed up the assembly too!



Room Reveal

You did it! Take a step back and enjoy the moment. Don't forget to recycle any packaging and share a pic of your room reveal - we love seeing how you transform your home! **Tag us @mockaaustralia/@mockaanz**







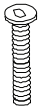
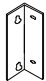
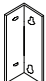


Happy flat-packing!

The Mocka Team

Need help? Our Support Team are available via live chat, email or phone. Visit our website for details.

Imogen Queen Bed

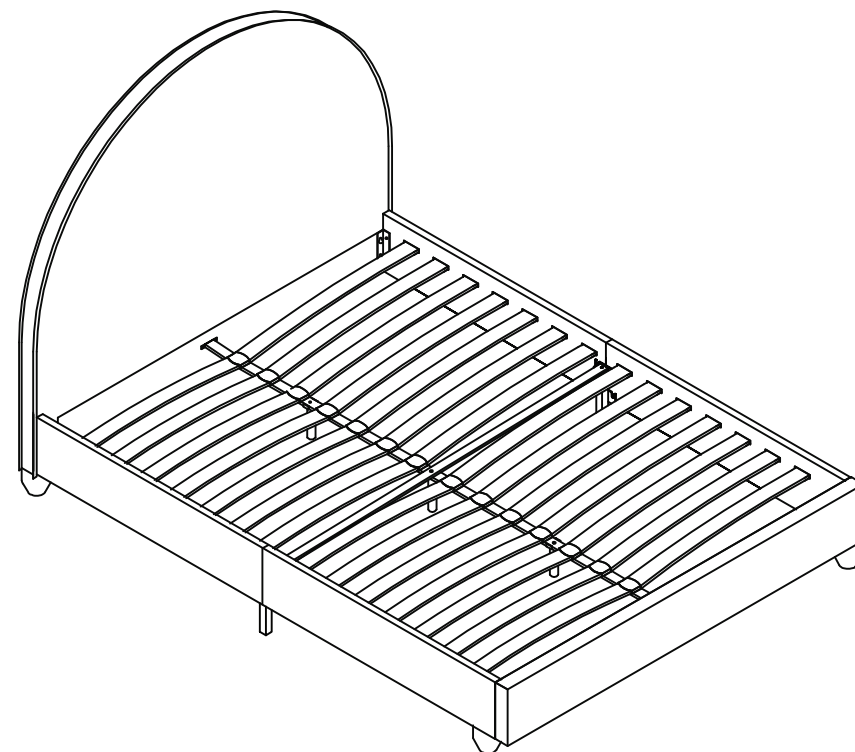
Thank you for purchasing Imogen Queen Bed. Please follow the manufacturer's assembly instructions in detail.

A  double cap x 14	B  25mm bolt x 8	C  spring washer x 8	D  washer x 8	E  25mm bolt x 4
F  20mm bolt x 20	H  35mm bolt x 1	L  left plate x 2	R  right plate x 2	
T2  small allen key x 1	T3  large allen key x 1	Hardware Supplied		



Phillips & Flathead screwdrivers required.

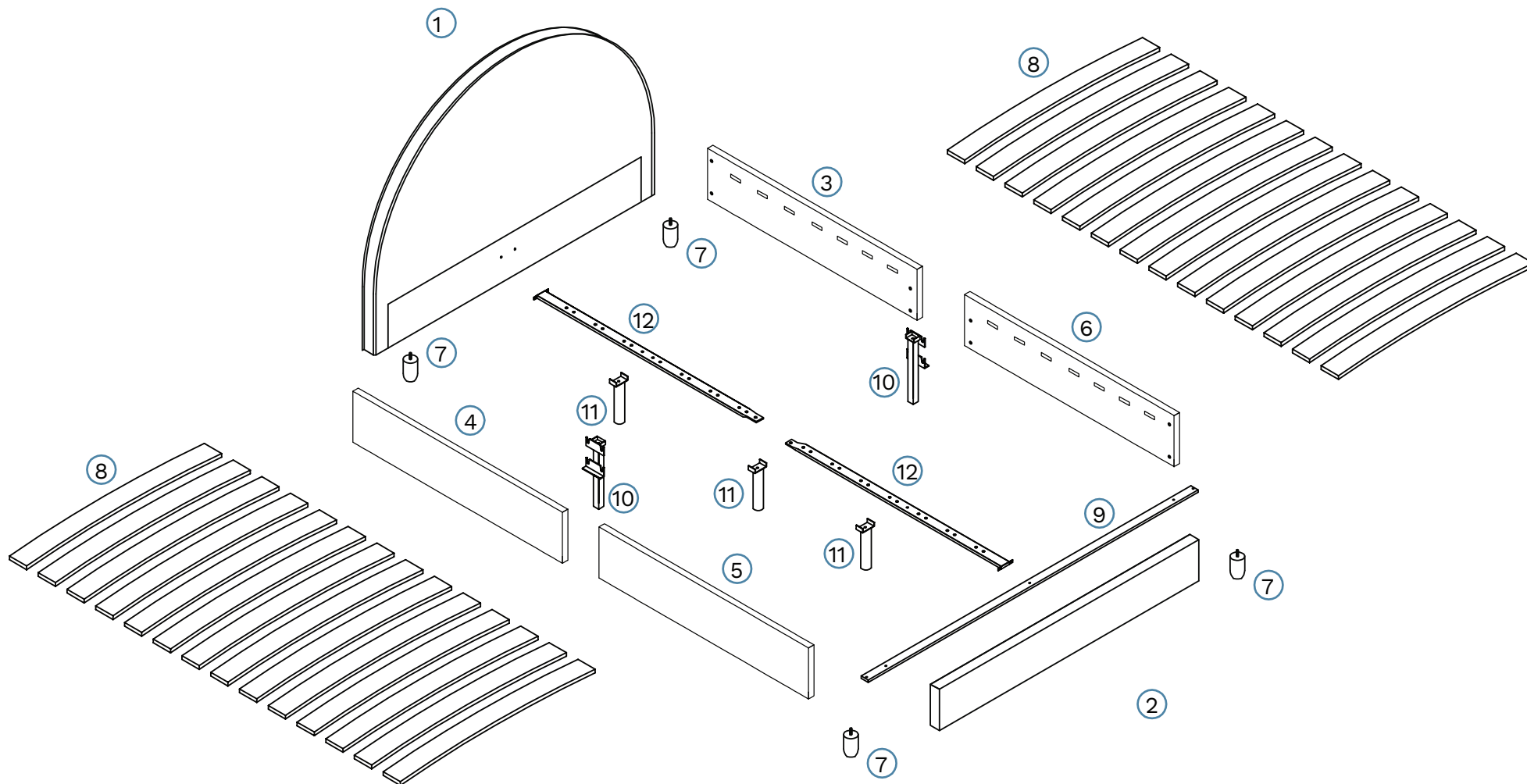
For quicker assembly, we recommend the use of a power drill on a low-speed setting.



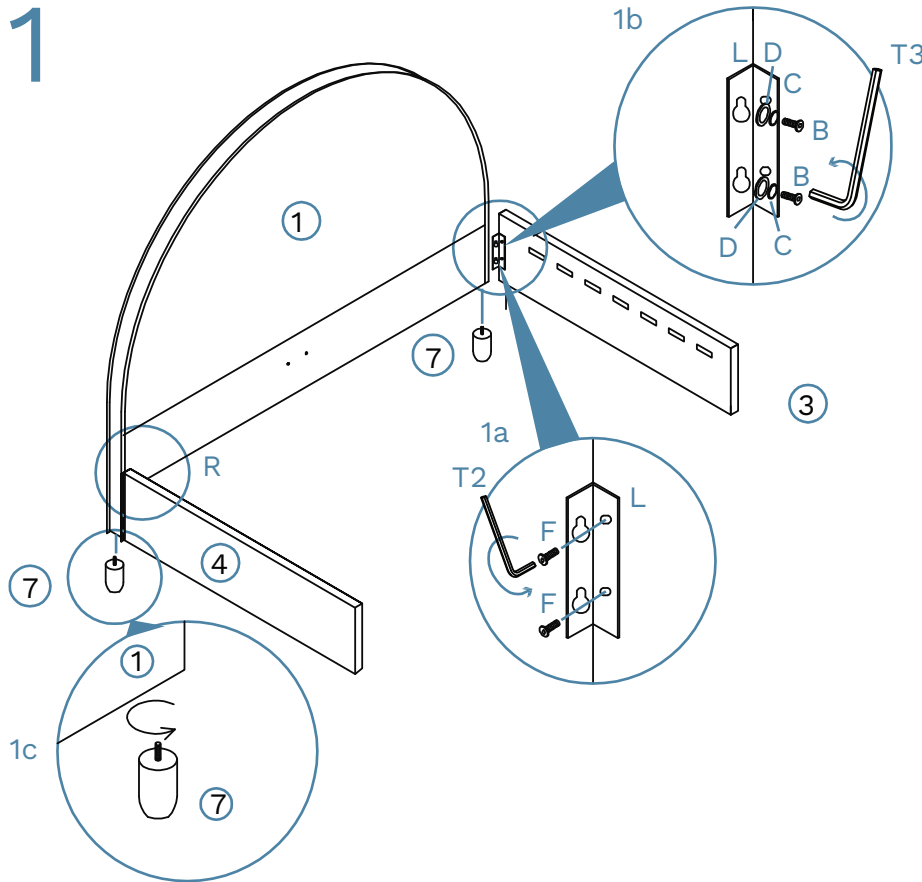
IMPORTANT NOTICE

When moving the bed, please lift off the ground with two people. **DO NOT** drag, push or pull the bed across the floor, as this can result in damage to the supporting leg.

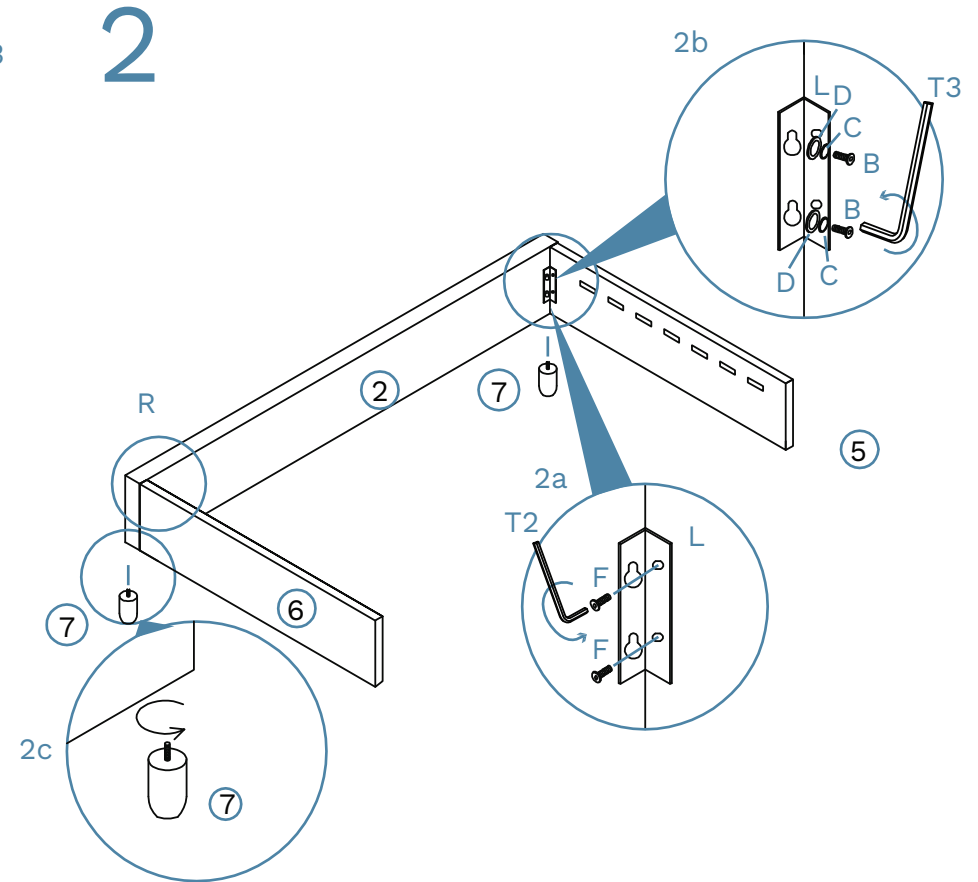
Imogen Queen Bed



Imogen Queen Bed



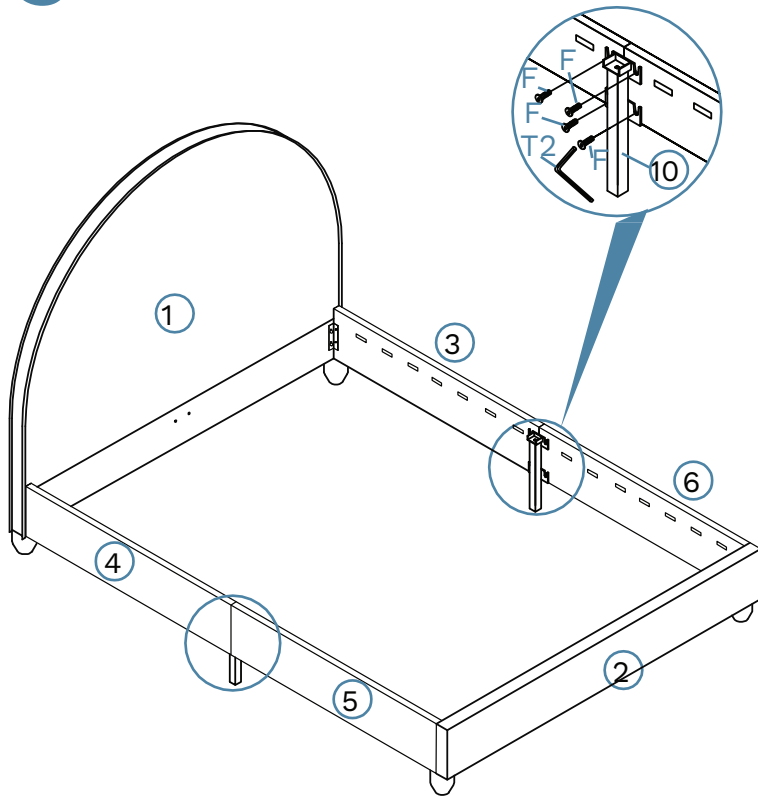
- 1a:** Attach 1x left plate(L) to panel[3] and 1x right plate(R) to panel[4] and secure with 4x 20mm bolts(F). Tighten with Allen Key (T2).
- 1b:** Attach panels[3] and panels[4] to panel[1] as shown and secure with 4x spring washers(C), 4x washers(D) and 4x 25mm bolts(B). Tighten with Allen Key (T3).
- 1c:** Attach 2x legs[7] to panel[1] as shown.



- 2a:** Attach 1x left plate(L) to panel[5] and 1x right plate(R) to panel[6] and secure with 4x 20mm bolts(F). Tighten with Allen Key (T2).
- 2b:** Attach panels[5] and panels[6] to panel[2] as shown and secure with 4x spring washers(C), 4x washers(D) and 4x 25mm bolts(B). Tighten with Allen Key (T3).
- 2c:** Attach 2x legs[7] to panel[2] as shown.

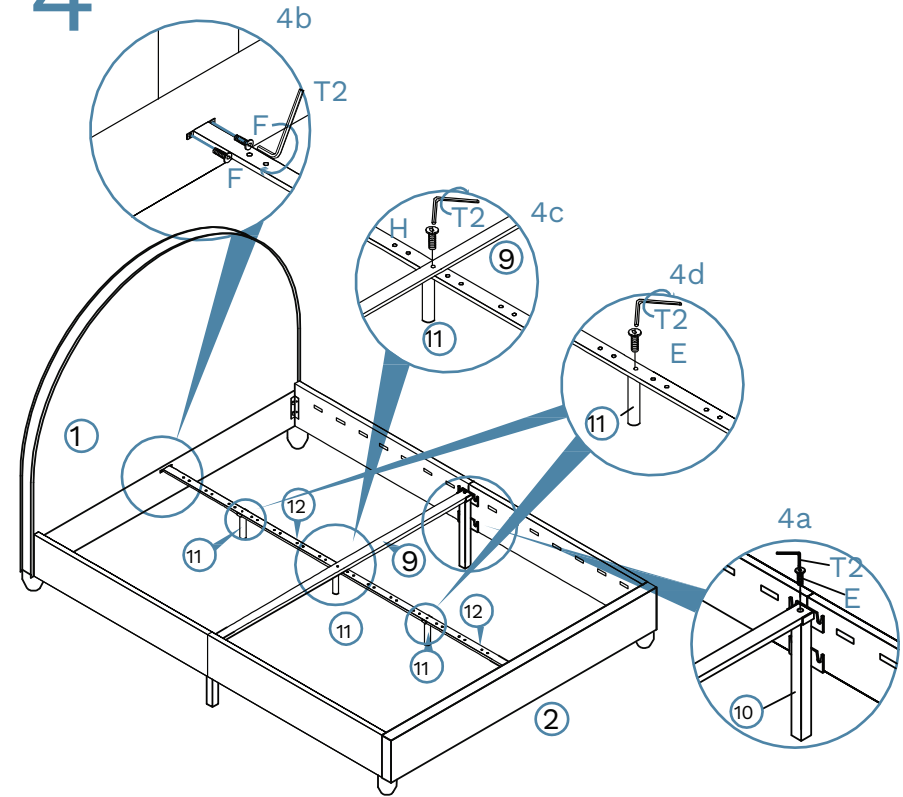
Imogen Queen Bed

3



Join the side panel[3] & panel[6] and join the side panel[4] & panel[5] together with 2x legs(10) and secure with 8x 20mm bolts (F), Tighten with Allen Key (T2).

4



4a: Insert panel [9] and sit on top of the connector (10) and secure with 2x 25mm bolts (E). Tighten with Allen Key (T2).

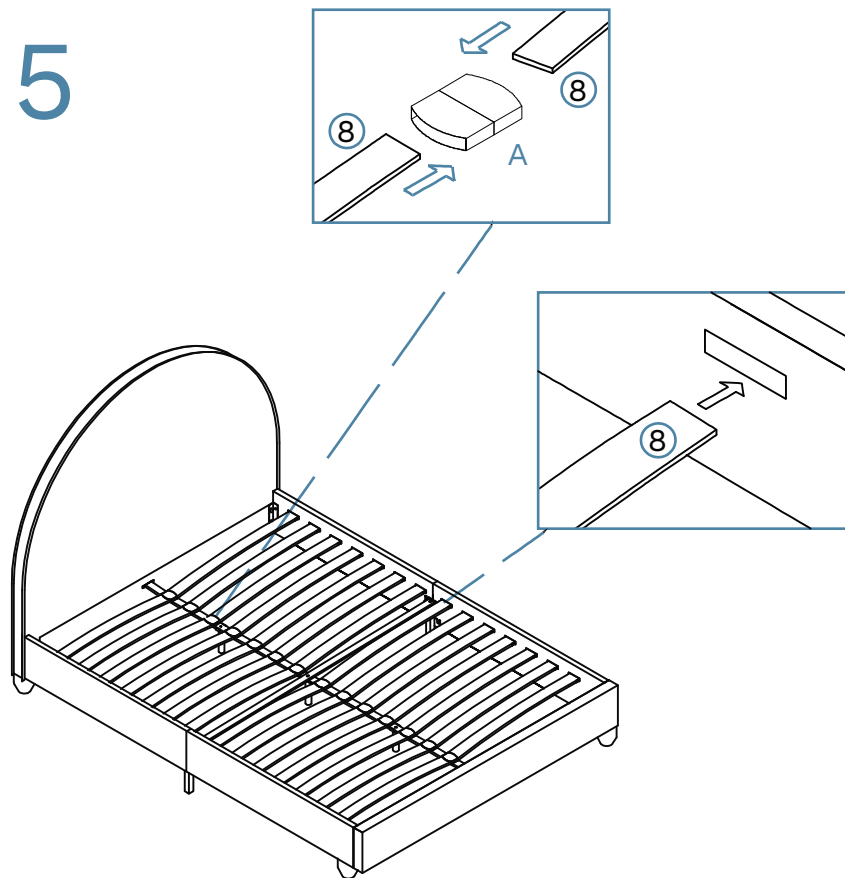
4b: Attach 2x panel [12] to panels [1] and [2] and secure with 4x 20mm bolts (F) as shown. Tighten with Allen Key T2.

4c: Attach panels [12] and [9] in the middle with 1x support leg [11] and secure with 1x 35mm bolt (H). Tighten with Allen Key (T2).

4d: Attach 2x support legs (11) to panels [12] and [12] as shown and secure with 2x 25mm bolts (E). Tighten with Allen Key (T2).

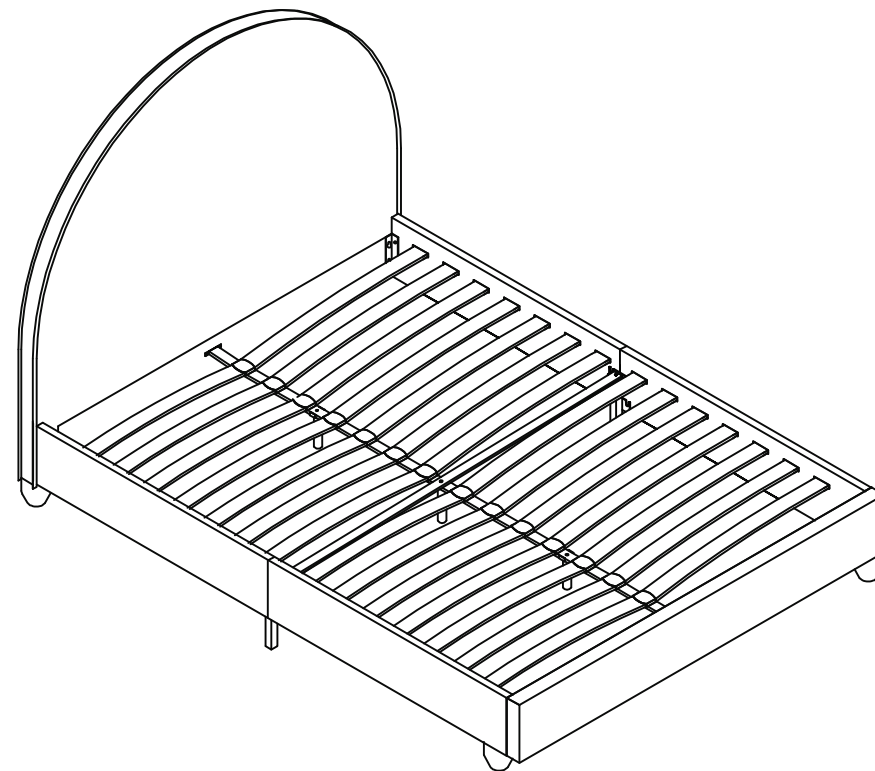
Imogen Queen Bed

5



Join the bed planks together in the middle of the frame using 14x double caps (A). Insert the end of the planks into the bed frame as shown and attach the double caps (A) into panel [8]. Make sure the double caps (A) click securely into place.

6



Lift the bed into the desired location, do not drag. You're done, enjoy!