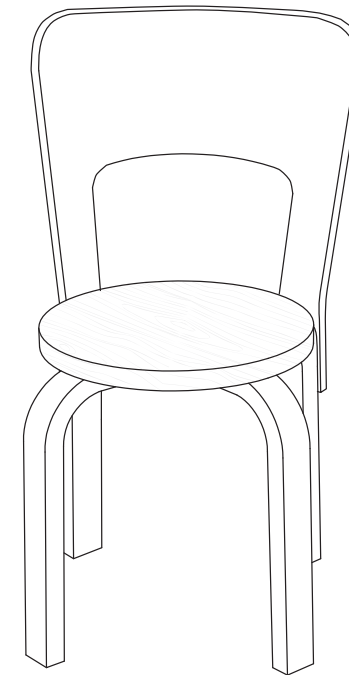
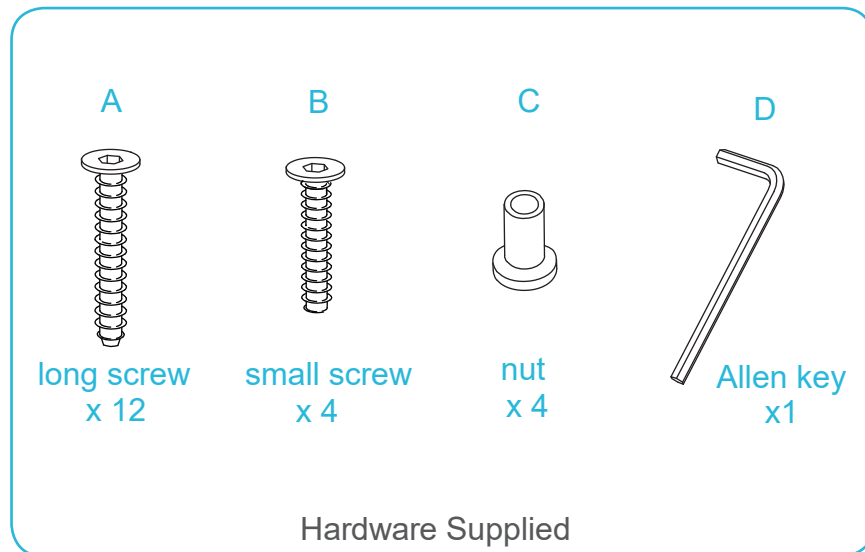


Hudson Wooden Chair

Assembly Instructions

Thank you for your purchase.
Please follow the instructions below for correct assembly.

mocka



Once fully assembled please ensure all legs are sitting flush against the chair underside to ensure stability. Do not over-tighten screws.

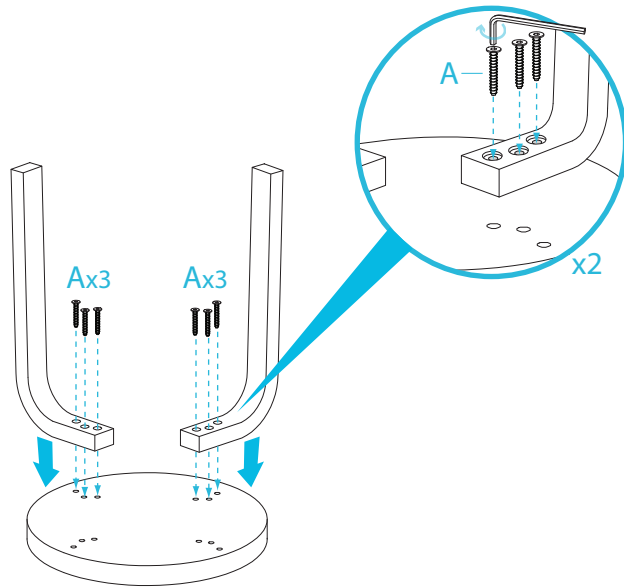
To ensure longevity of the wood please use a damp cloth only for cleaning. Avoid use of household cleaners.

Hudson Wooden Chair

Assembly Instructions

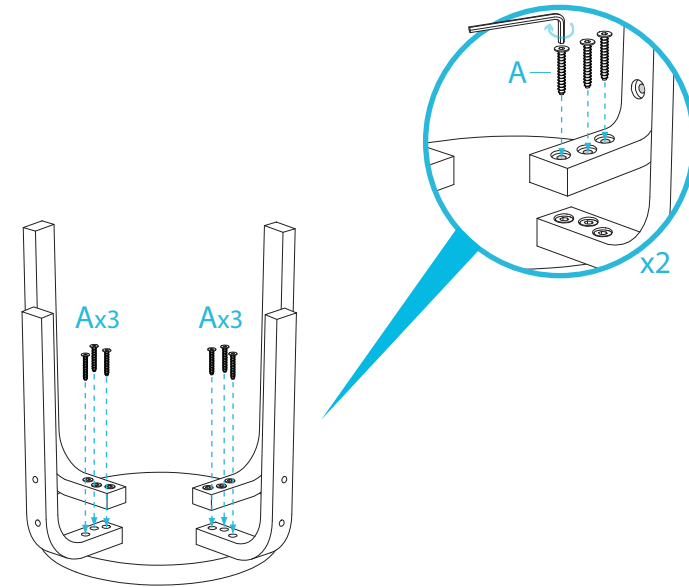
mocka

1



Attach two front legs (without holes) to the underside of the round seat piece using 3x long screws (A) in each leg. Tighten screws with the Allen key (D) provided.

2



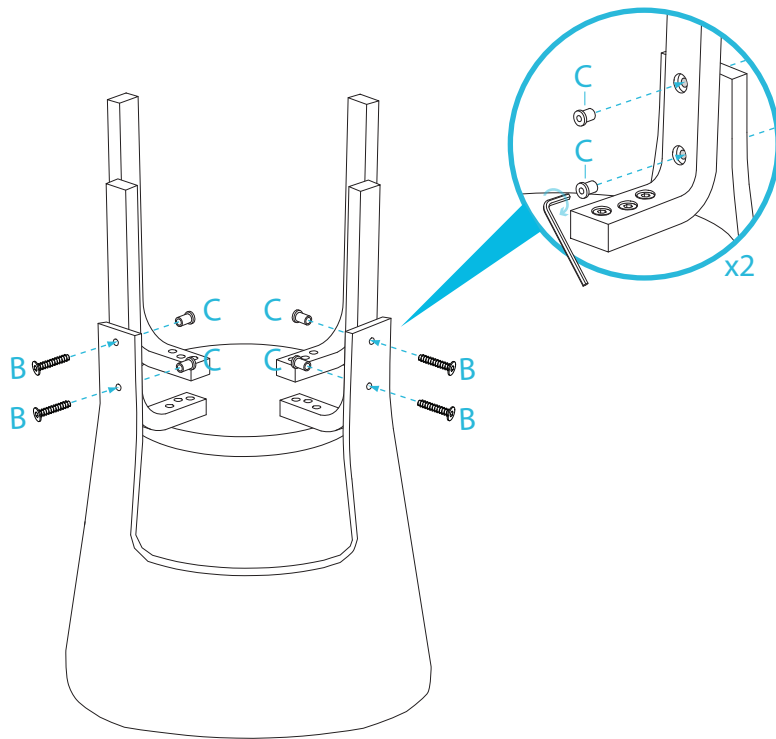
Attach the two back legs (with holes) to the underside of the round seat piece using 3x long screws (A) in each leg. Fasten screws using Allen key (D) ensuring pieces sit flush against the seat.

Hudson Wooden Chair

Assembly Instructions

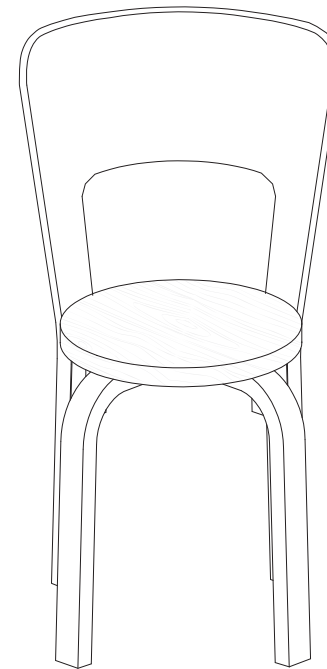
mocka

3



Attach the backrest to the two back legs using 4x small screws (B) and 4x nuts (C) in the holes provided. Tighten screws with Allen key (D).

4



Regularly check all screws are secure but not overly tightened. You're done, enjoy!