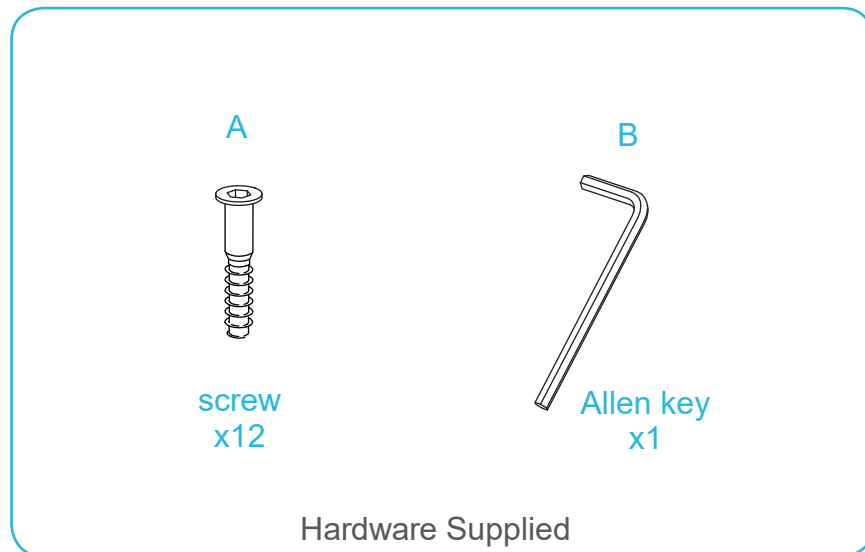


Hudson Stool

Assembly Instructions

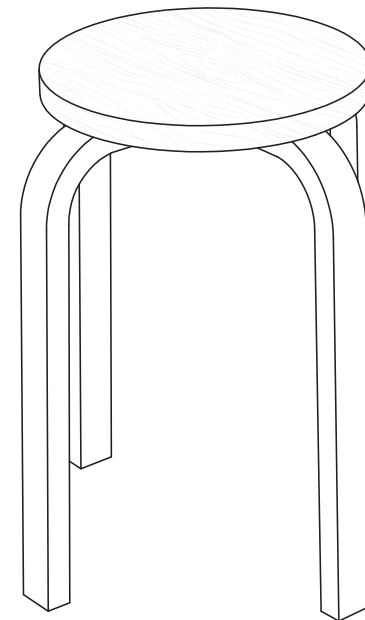
Thank you for your purchase.
Please follow the instructions below for correct assembly.

mocka



Once fully assembled please ensure all legs are sitting flush against the stool underside to ensure stability. Do not over-tighten screws.

To ensure longevity of the wood please use a damp cloth only for cleaning. Avoid use of household cleaners.

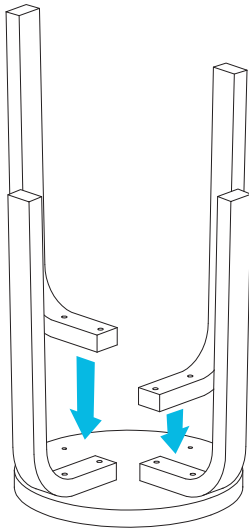


Hudson Stool

Assembly Instructions

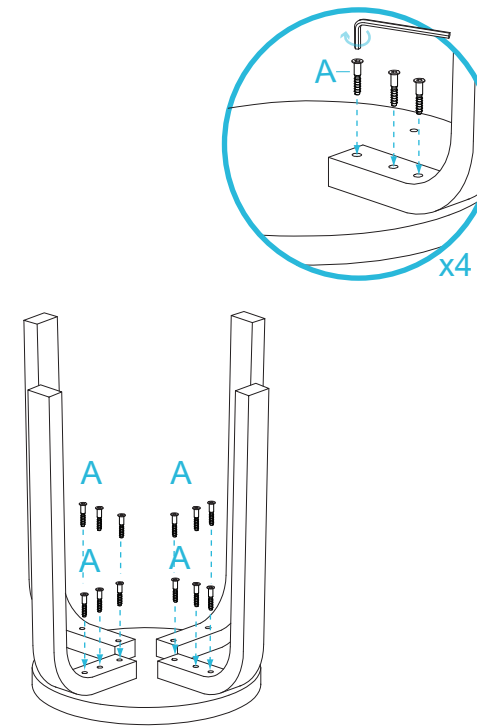
mocka

1



Position and align stool legs over corresponding holes on the underside of the seat.

2



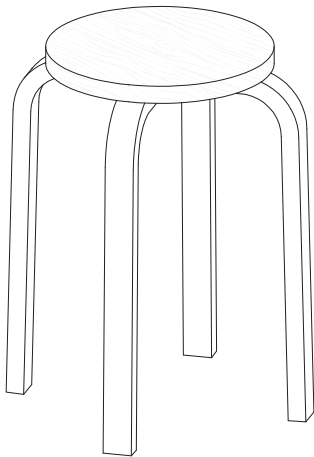
Attach each leg to the underside of the seat using 3x screws (A) in each and tightening with the allen key (B). Ensure all legs are securely fastened.

Hudson Stool

Assembly Instructions

mocka

3



Ensure all legs sit flush with underside of the seat. Regularly check all screws are secure but not overly tightened. You're done, enjoy!