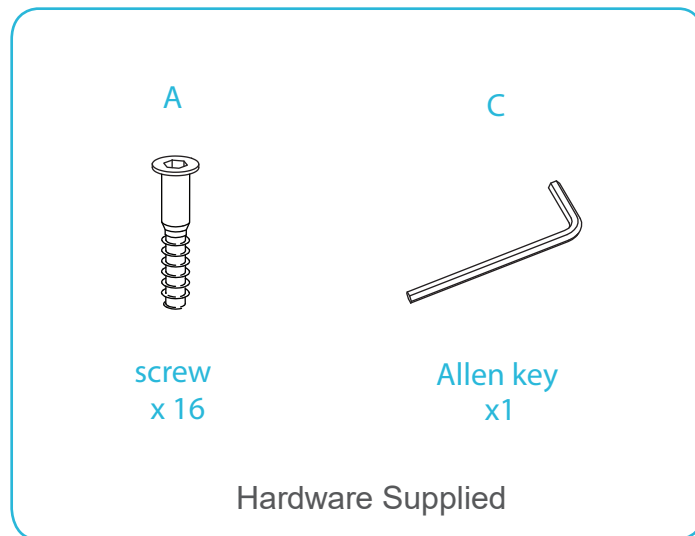


# Hudson Kids Stools

## Assembly Instructions

mocka

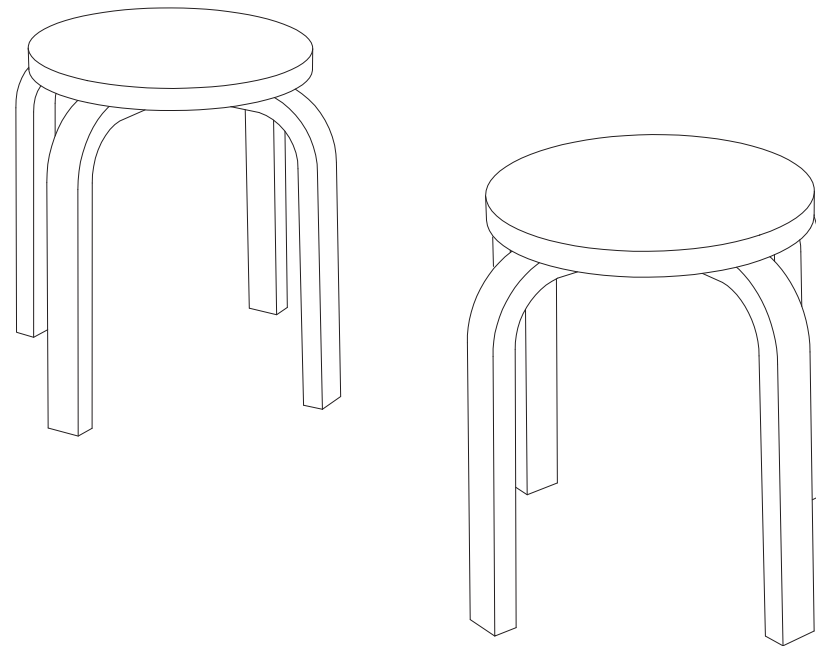
Thank you for your purchase.  
Please follow the instructions below for correct assembly.



**Once fully assembled please ensure all legs are sitting flush against the chair underside to ensure stability. Do not over-tighten screws.**

The recommended age for this set is 2-6 years.

To ensure longevity of the wood please use a damp cloth only for cleaning. Avoid use of household cleaners.

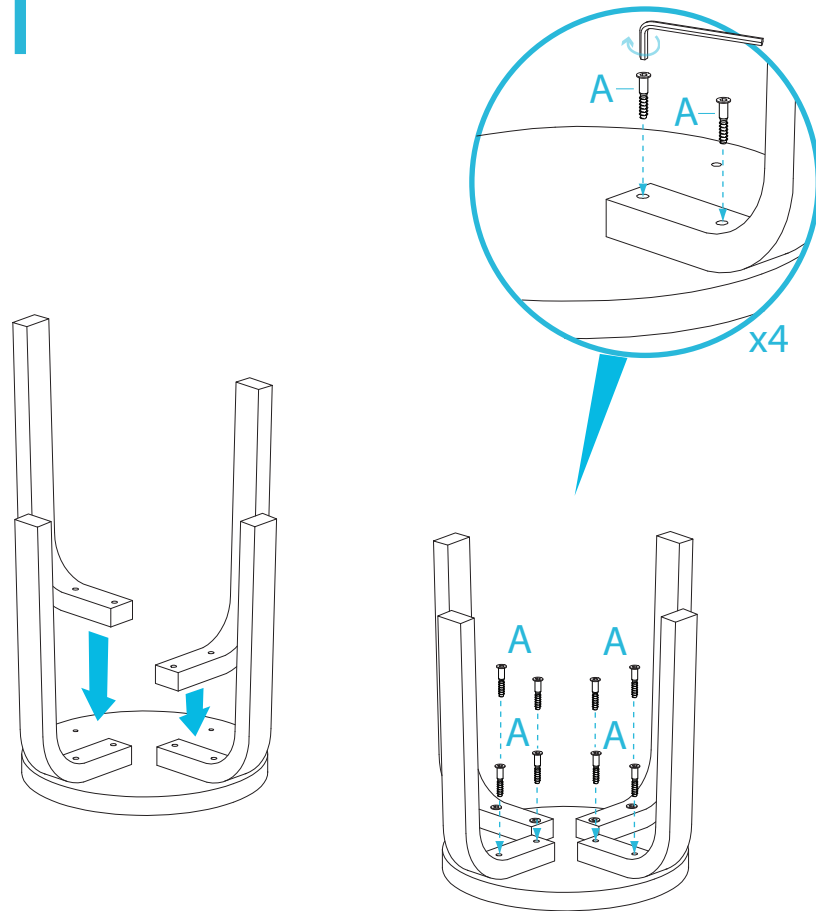


# Hudson Kids Stools

## Assembly Instructions

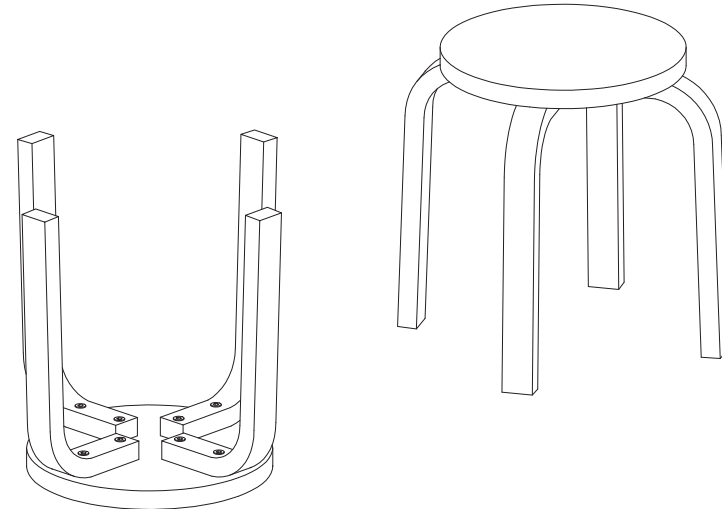
mocka

1



Find one round seat pieces and four stool legs. Attach each leg to the underside of the seat using 2x screws (A) in each and tightening with the allen key (B). Ensure all legs are securely fastened.

2



Repeat Step 1 to assemble the second stool. Ensure all screws are fastened and legs sit flush with underside of the seats. All done! Regularly check all screws are secure but not overly tightened.