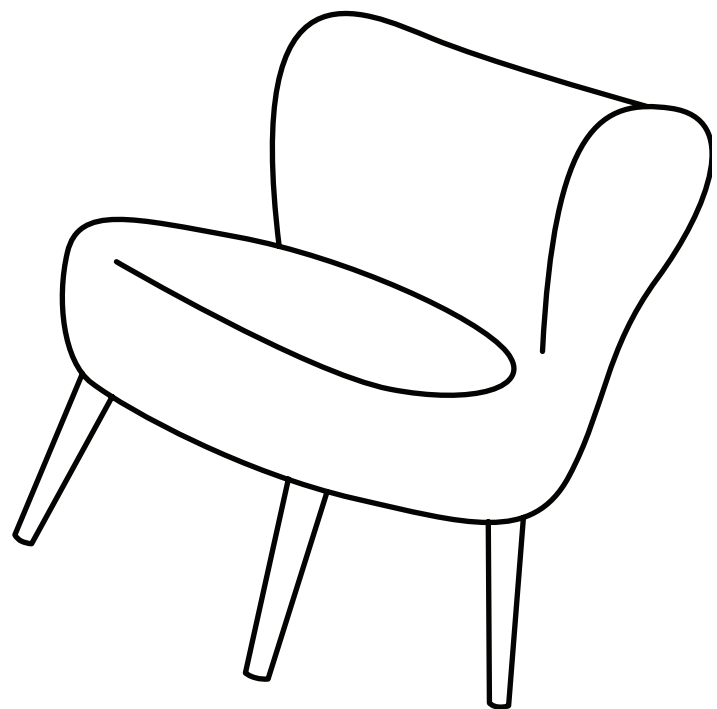
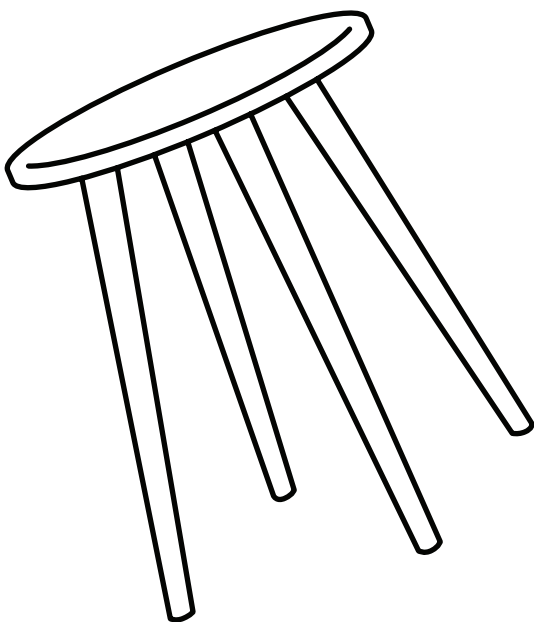


Hello,  
I've arrived!

Now that I'm here you are only one  
flat-pack away from transforming  
your home.



**Mocka.**

# Thank you for supporting us.

We believe design belongs to everyone. From materials and processes to safety testing, production and delivery, we are passionate and committed to bringing you the best possible product so you can create beautifully functional spaces to feel comfortably you.

## Here are a few assembly tips before you get started:



### Make Time

The first step to all seamless assembly is taking a moment to carefully read through the instructions—you are already on your way to creating a beautifully functional space!



### Set The Mood

Put on your favourite playlist, order that pizza and pour yourself a drink to get in the mood!



### Tool Check

Layout the instructions, screws and panels to check you have everything you need. A blanket or soft floor rug will help protect your new favourite item from scratches and a drill will speed up the assembly too!



### Room Reveal

You did it! Take a step back and enjoy the moment. Don't forget to recycle any packaging and share a pic of your room reveal—we love seeing how you transform your home! Tag us @mockaaustralia/@mockaanz

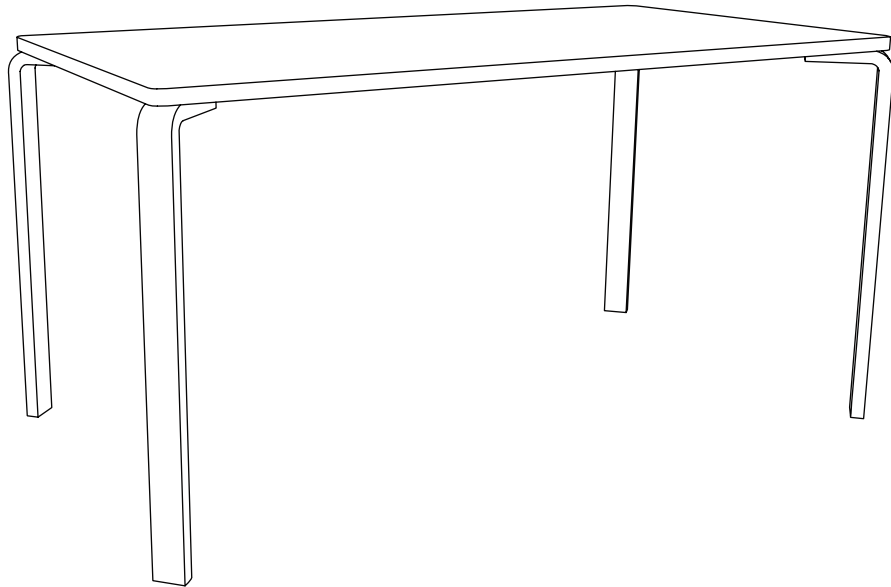
Happy flat-packing!

*The Mocka Team*

# Hudson

## Kids Rectangular Table

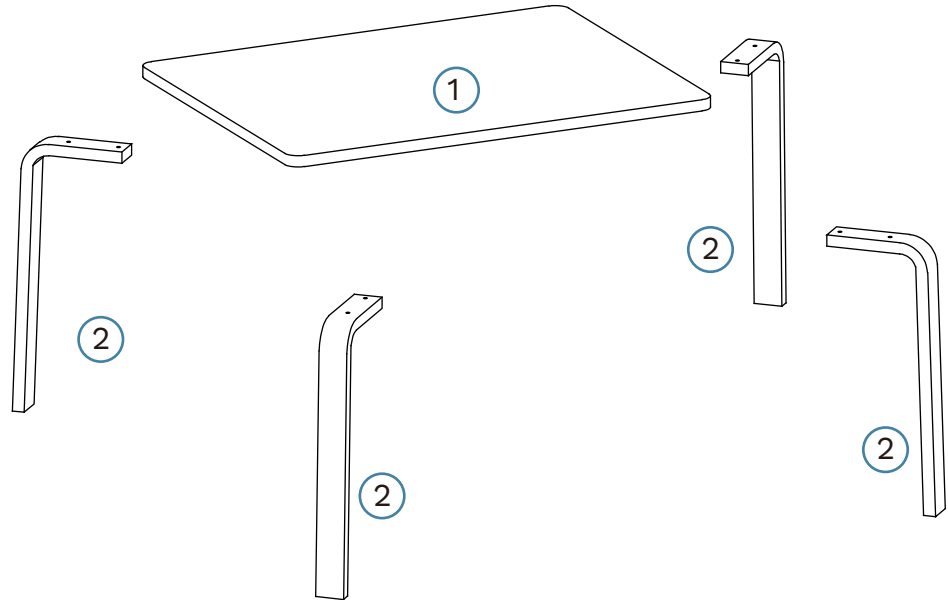
Thank you for your purchase. Please follow the instructions for correct assembly. While we took great effort to ensure these assembly instructions were correct at the time of printing, sometimes updates are required post production. For the most up to date versions please refer to the product page on our website. [mocka.com.au/mocka.co.nz](http://mocka.com.au/mocka.co.nz)



# Hudson

Kids Rectangular Table

## Panel Layout

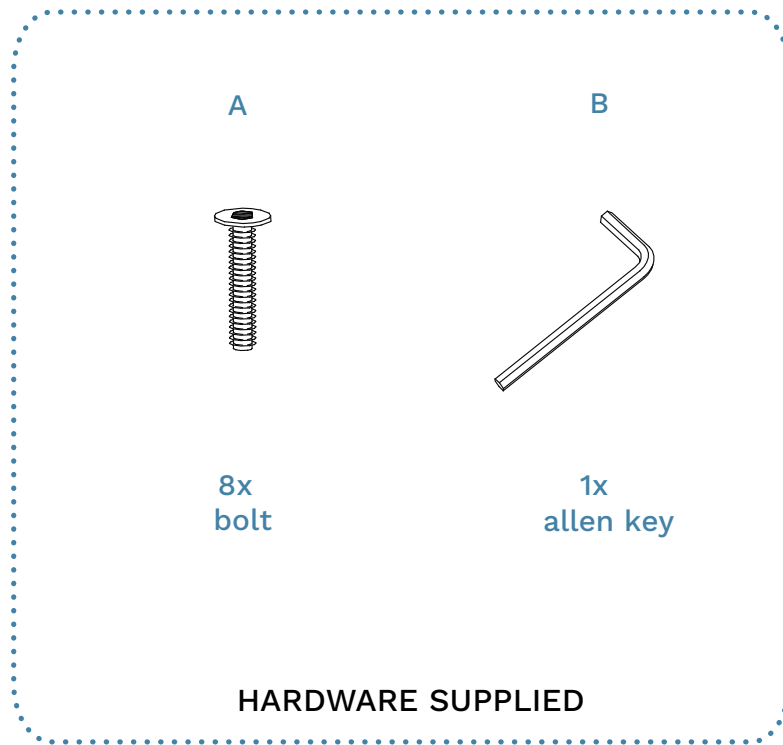


## Partlist

①	Table Top	x1
②	Leg	x4

# Hudson

## Kids Rectangular Table



Once fully assembled please ensure all legs are sitting flush against the chair underside to ensure stability. Do not over-tighten bolts.

The recommended age for this set is 2-6 years.

To ensure longevity of the wood please use a damp cloth only for cleaning. Avoid use of household cleaners.

# Hudson

## Kids Rectangular Table

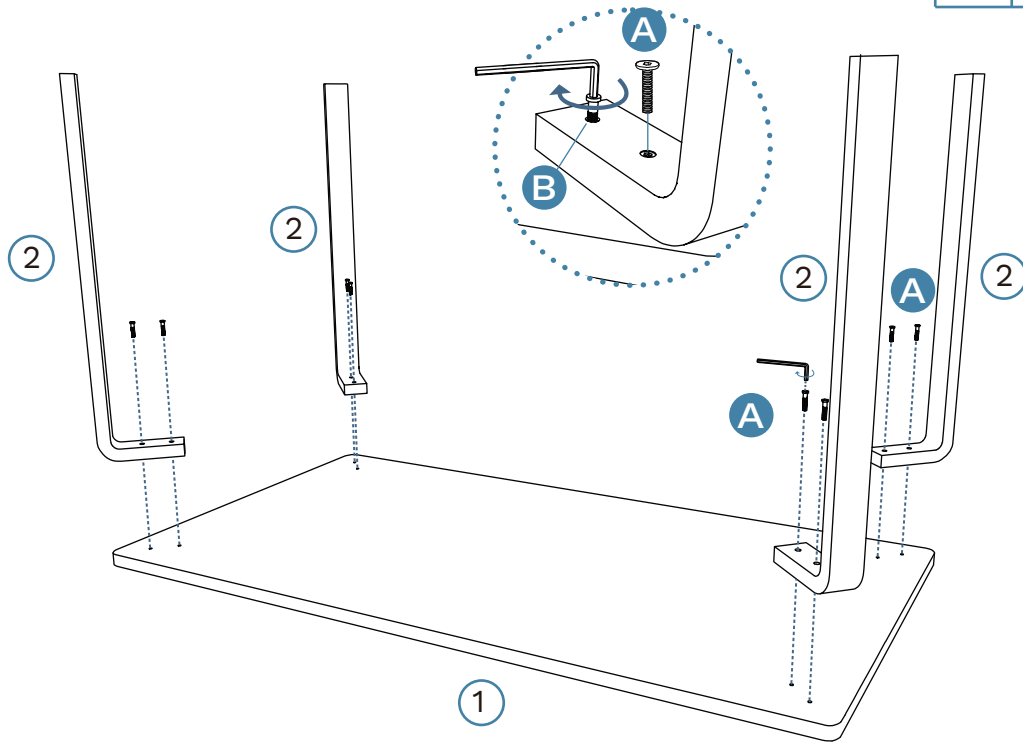
# 1

### Hardware Needed

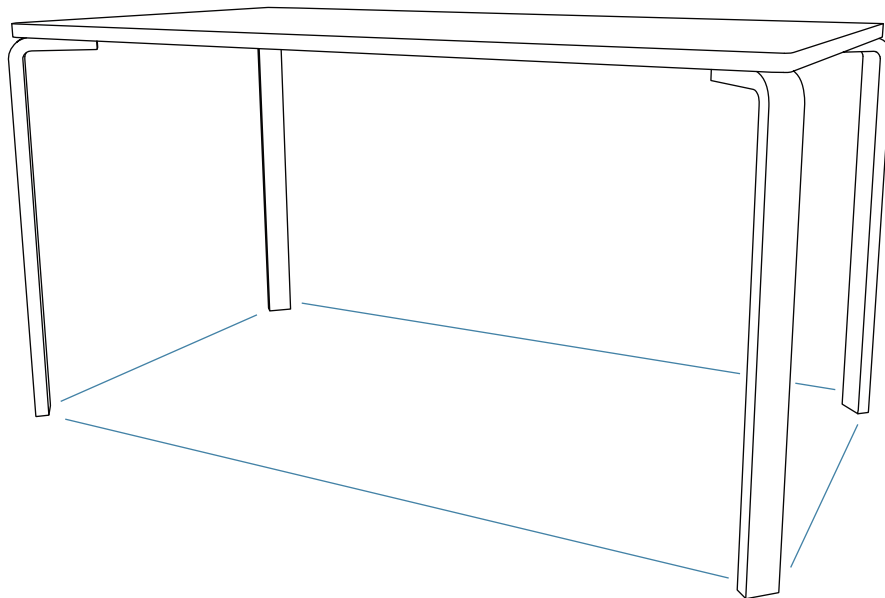
A



x8



# 2



Fasten all bolts and ensure all legs are sitting flush with the table underside to ensure stability. Flip table over and it is ready for use. All done! Regularly check all bolts are secure but not overly tightened. You're done, enjoy!