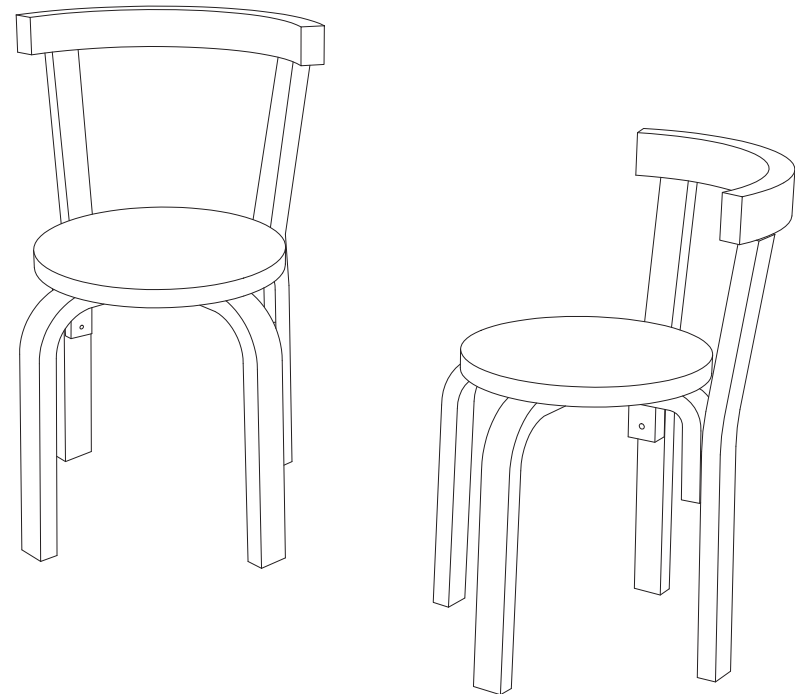
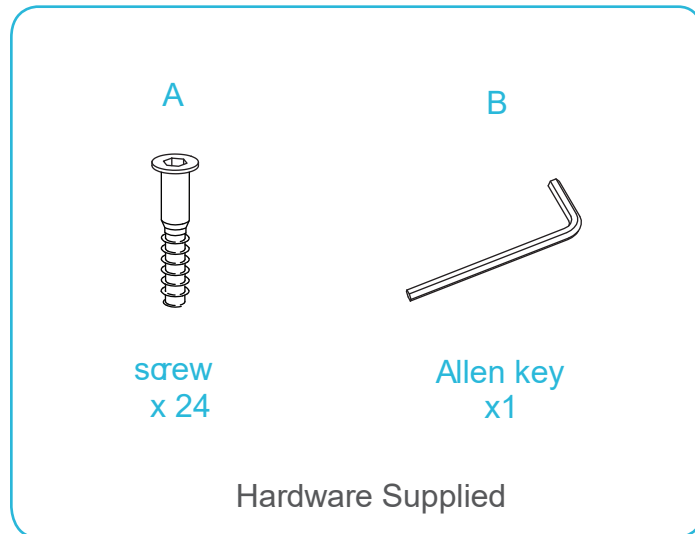


Hudson Kids Chairs

Assembly Instructions

mocka

Thank you for your purchase.
Please follow the instructions below for correct assembly.



Once fully assembled please ensure all legs are sitting flush against the chair underside to ensure stability. Do not over-tighten screws.

The recommended age for this set is 2-6 years.

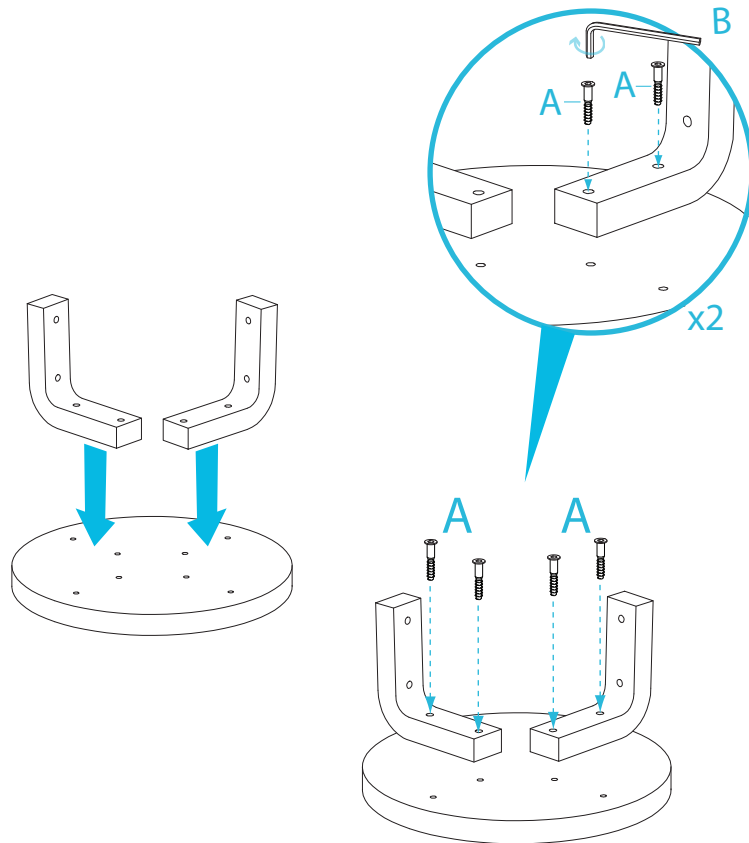
To ensure longevity of the wood please use a damp cloth only for cleaning. Avoid use of household cleaners.

Hudson Kids Chairs

Assembly Instructions

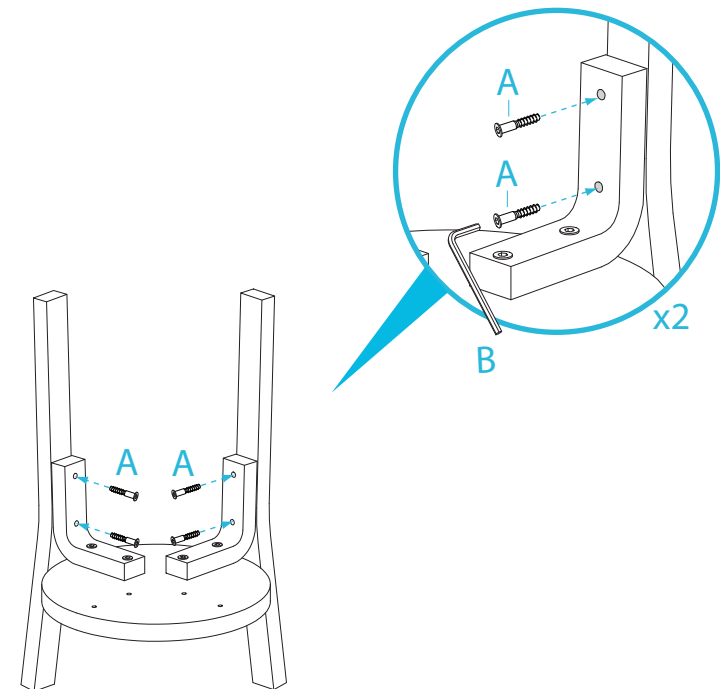
mocka

1



Find two round seat pieces and four leg braces. Attach two leg braces to a round seat piece using 2x screws (A) in each. Tighten screws with allen key (B).

2



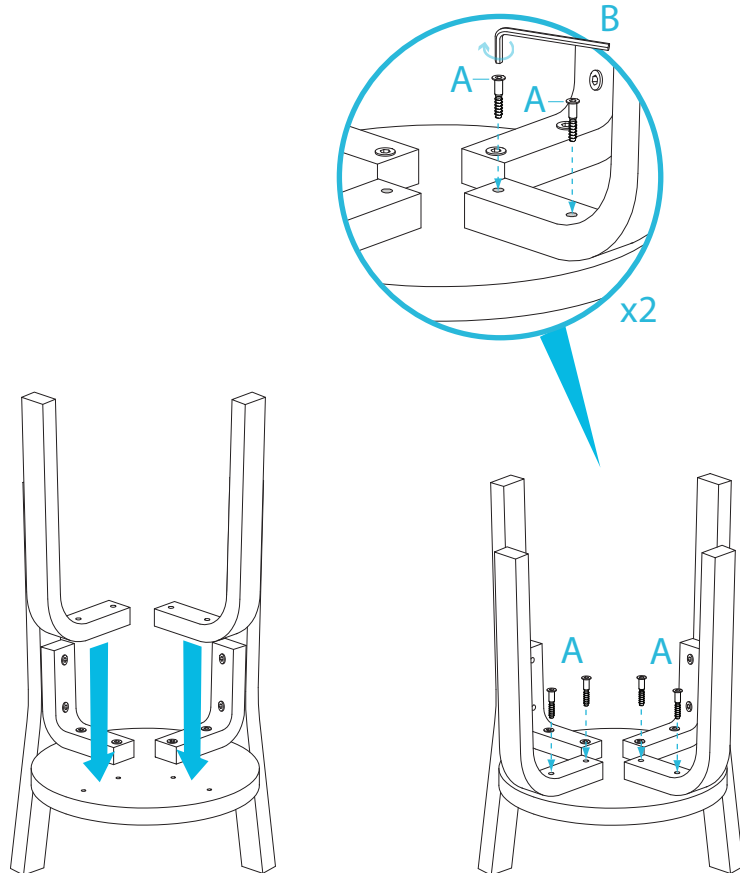
Find two long chair leg pieces and attach to the leg braces using 2x screws (A) in each. Fasten screws using allen key (B) ensuring pieces sit flush against each other, but do not tighten. Ensure the screws on the leg braces are loose. This will help to fit the backrests onto the chair.

Hudson Kids Chairs

Assembly Instructions

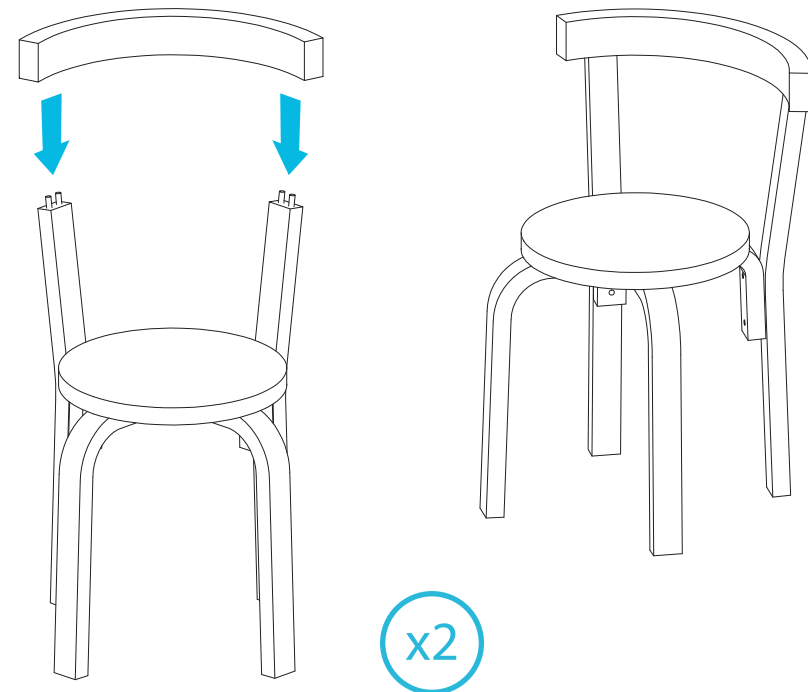
mocka

3



Take two front chair legs and attach in place using 2x screws (A) in each leg. Tighten screws with allen key (B).

4



Push the backrest piece onto the tops of the chair legs as shown. The backrests will fit into place even if they appear too wide. Gently pull the top of the back legs together (as they do flex) and then attach the backrest. Ensures the overall integrity of the chair is secure and stable and then tighten all of the (A) screws on the chair to pull it all together. Repeat Steps 1 to 4 again to assemble the second chair.