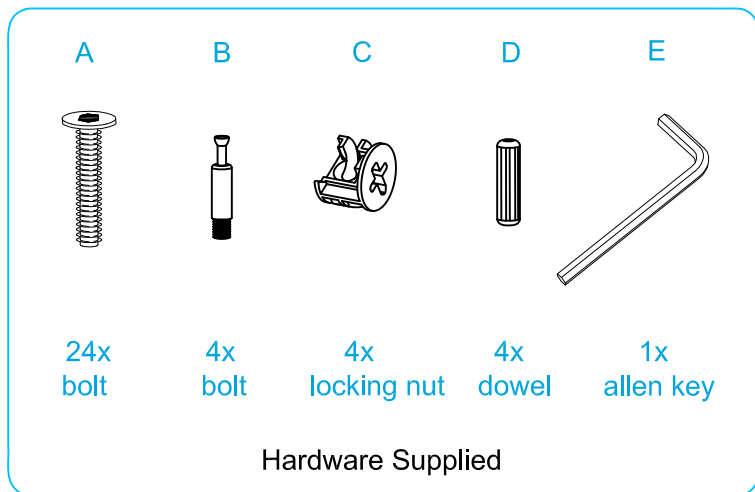


Hudson Kids Chairs

Assembly Instructions

mocka

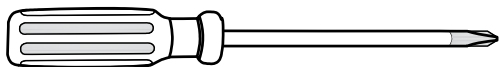
Thank you for your purchase.
Please follow the instructions below for correct assembly.



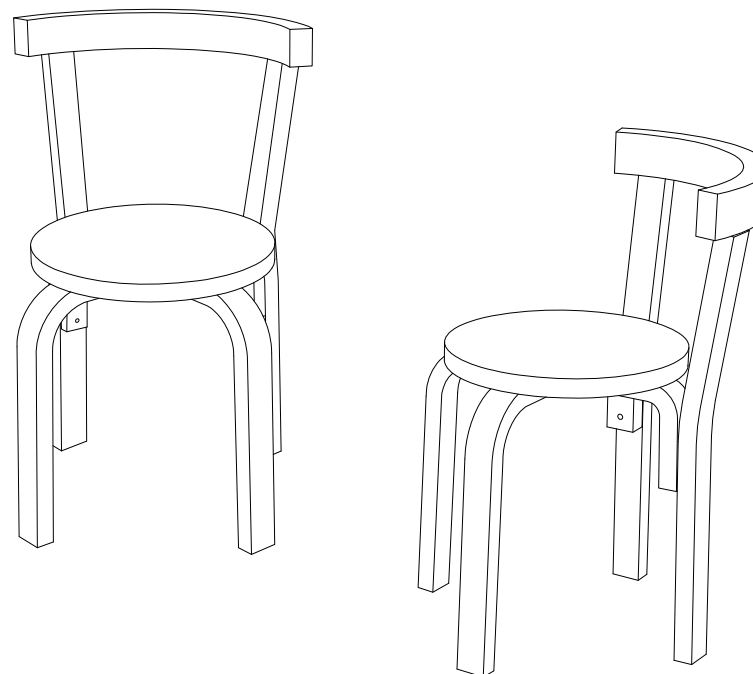
Once fully assembled please ensure all legs are sitting flush against the chair underside to ensure stability. Do not over-tighten bolts.

The recommended age for this set is 2-6 years.

To ensure longevity of the wood please use a damp cloth only for cleaning. Avoid use of household cleaners.



Phillips screwdriver required

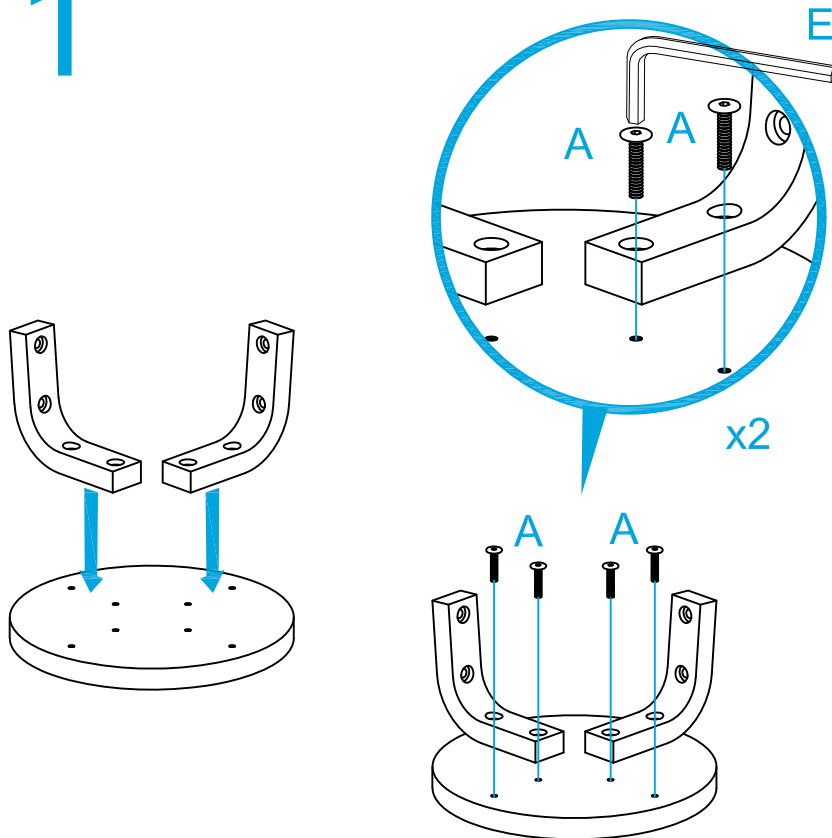


Hudson Kids Chairs

Assembly Instructions

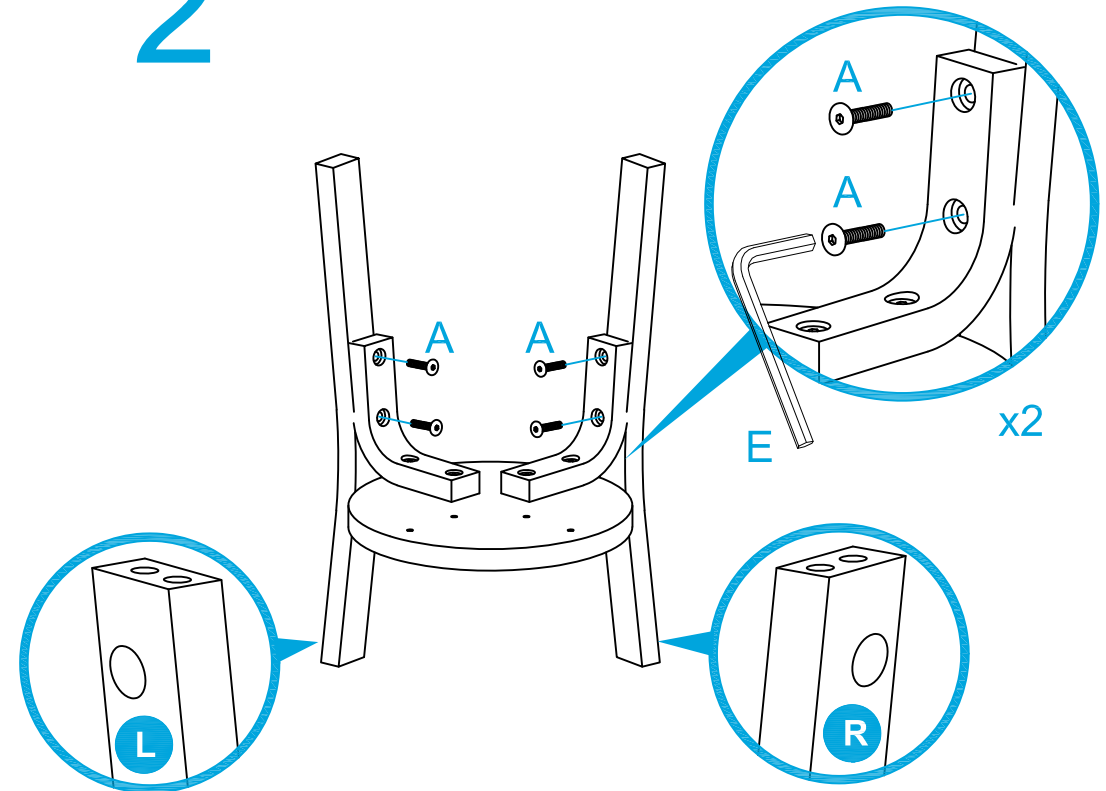
mocka

1



Find two round seat pieces and four leg braces. Attach two leg braces to a round seat piece using 2x bolts (A) in each. Tighten bolts with allen key (E).

2



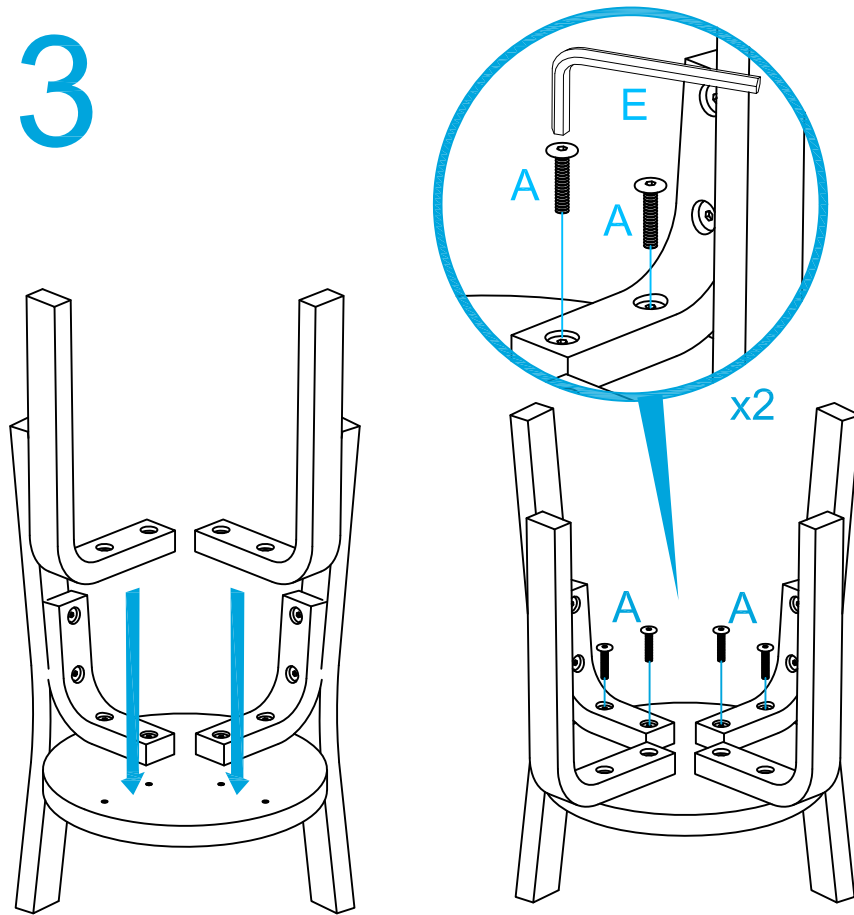
Find two long chair leg pieces "L" and "R" and attach to the leg braces using 2x bolts (A) in each. Fasten bolts using allen key (E) ensuring pieces sit flush against each other, but do not tighten. Ensure the bolts on the leg braces are loose. This will help to fit the backrests onto the chair.

Hudson Kids Chairs

Assembly Instructions

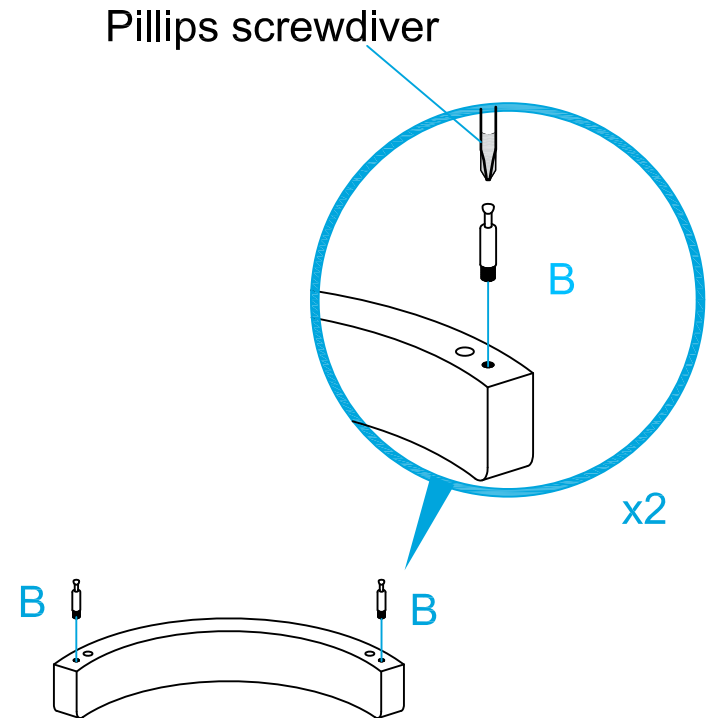
mocka

3



Take two front chair legs and attach in place using 2x bolts (A) in each leg. Tighten bolts with allen key (E).

4



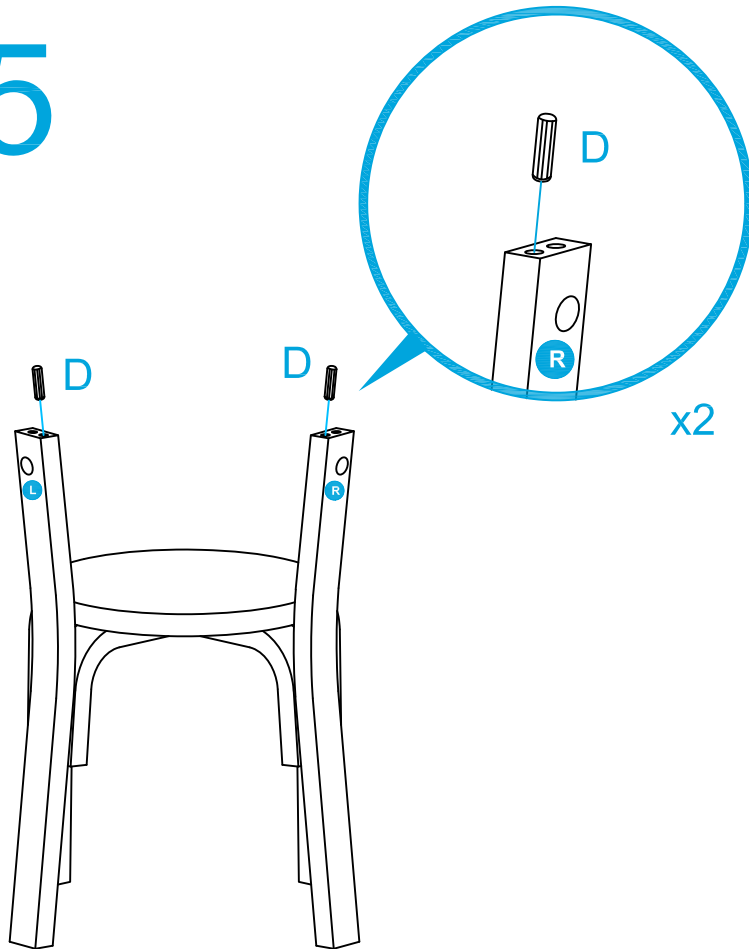
Lock 2x bolts (B) to the backrest piece. Tighten bolts with Phillips screwdriver.

Hudson Kids Chairs

Assembly Instructions

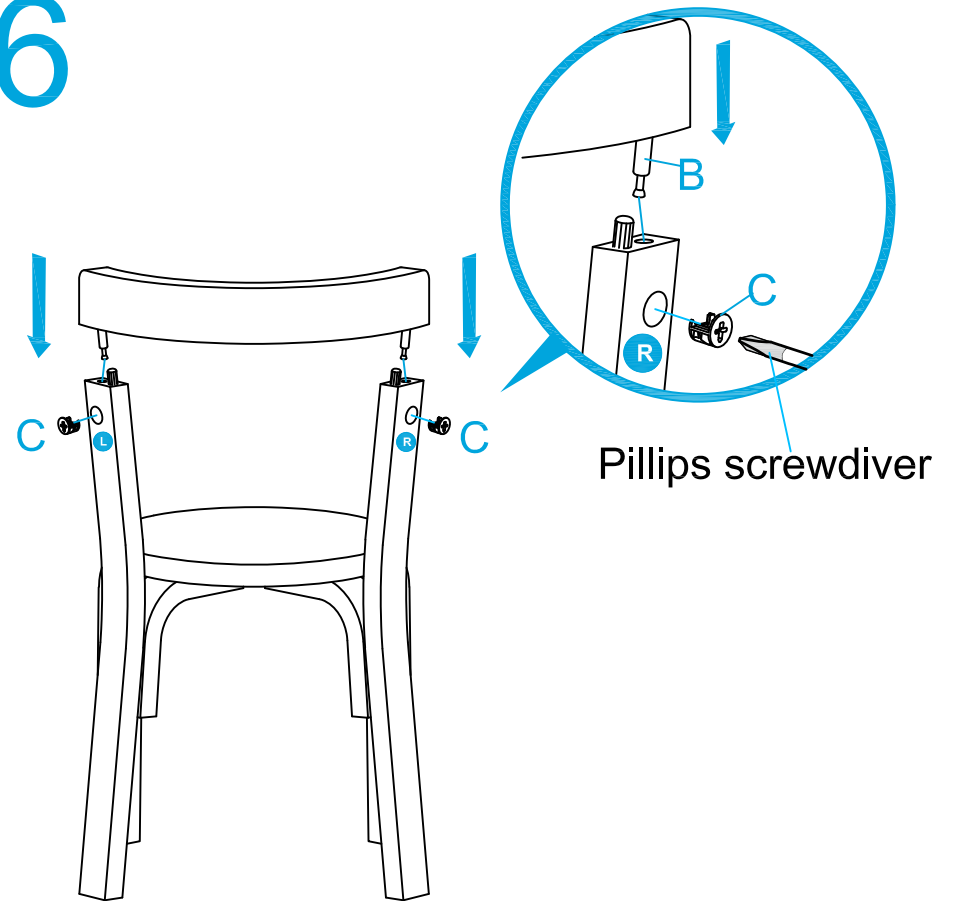
mocka

5



Insert the 2x dowels (D) into the long chair legs as shown.

6



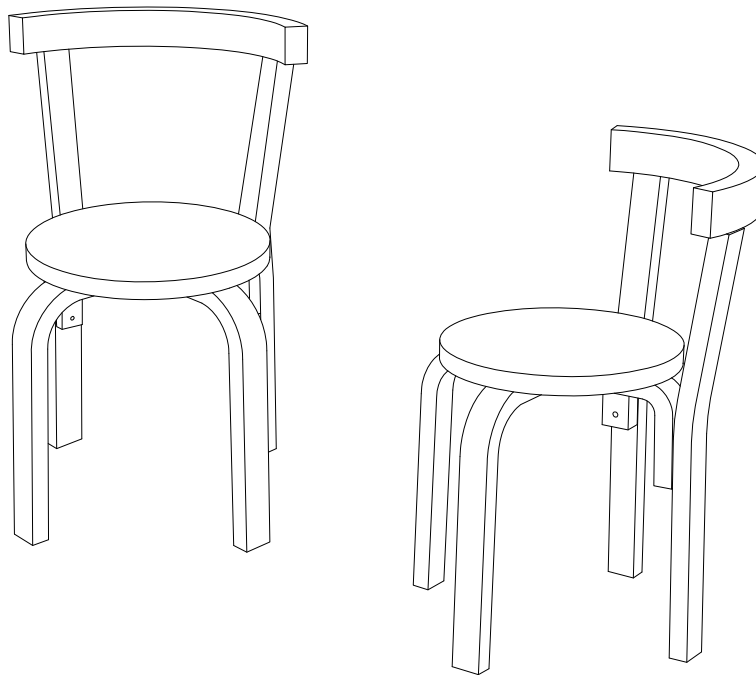
Place the 2x locking nuts (C) into the long chair legs. Align the backrest piece bolts (B) with the locking nuts (C). Push the backrest piece onto the tops of the long chair legs as shown. Tighten the 2x locking nuts (C) with Phillips screwdriver. Tighten all bolts with allen key (E).

Hudson Kids Chairs

Assembly Instructions

mocka

7



Repeat Steps 1 to 6 again to assemble the second chair.
You're done, enjoy!