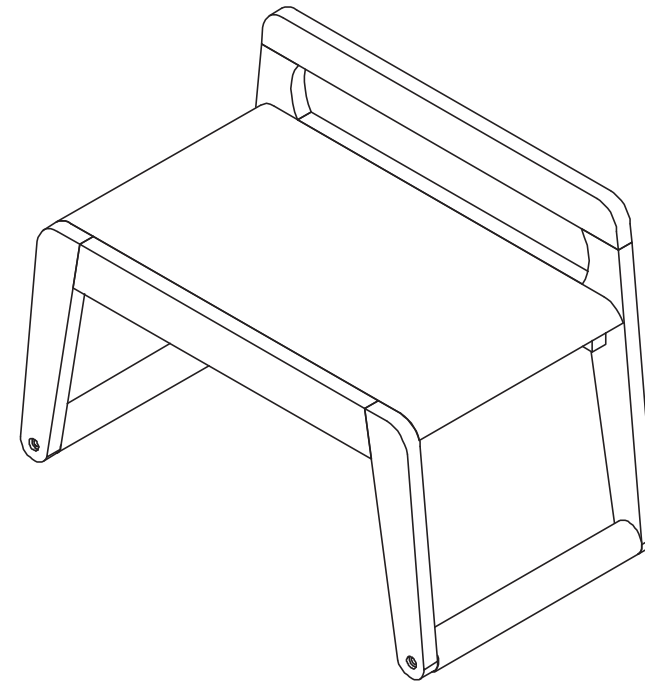
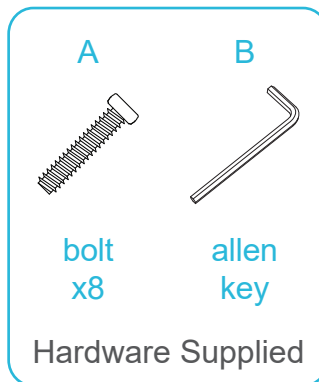


Hudson Kids Bench Seat

Assembly Instructions

Thank you for your purchase.
Please follow the instructions below for correct assembly.

mocka



Once fully assembled please ensure all legs are sitting flush against the chair underside to ensure stability. Do not over-tighten screws.

The recommended age for this set is 2-6 years.

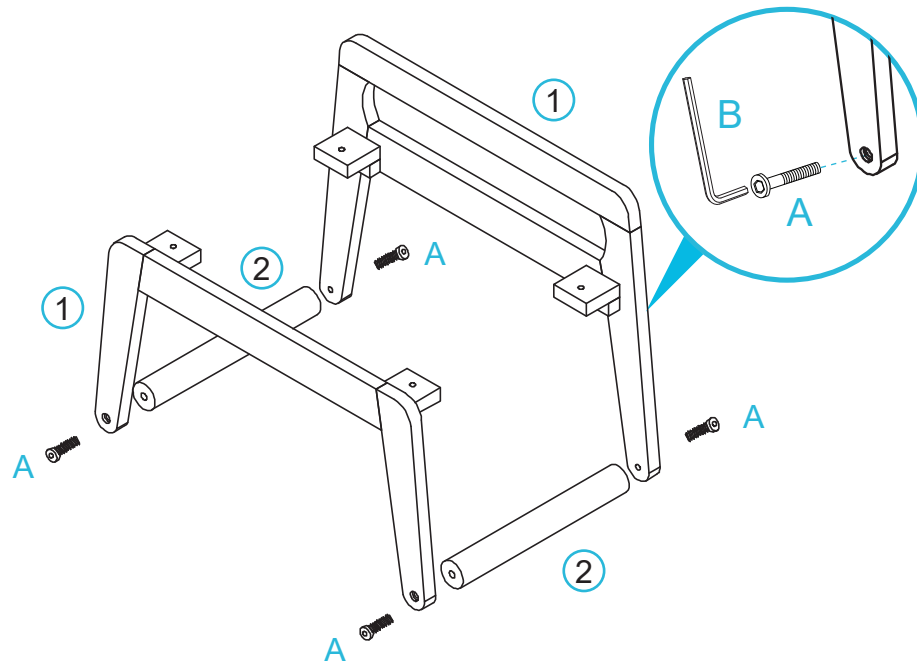
To ensure longevity of the wood please use a damp cloth only for cleaning. Avoid use of household cleaners.

Hudson Kids Bench Seat

Assembly Instructions

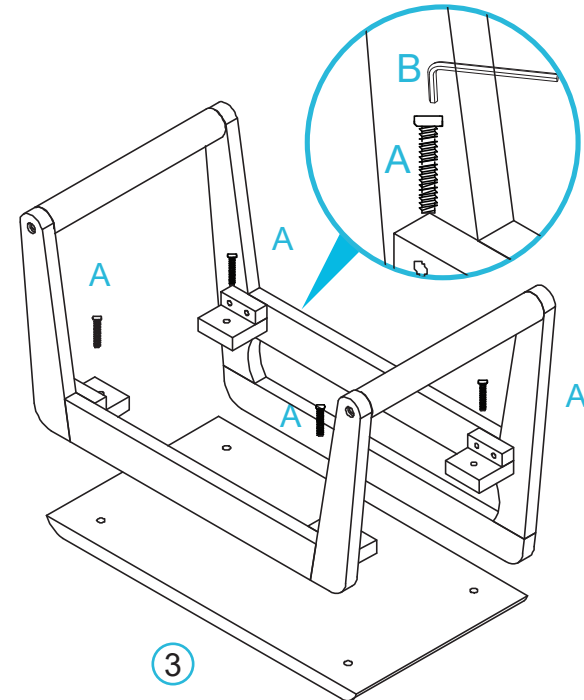
mocka

1



Attach 2 x legs [A] and 2 x arms [2] together and secure with 4 x bolts (A). Tighten with an Allen Key (B).

2



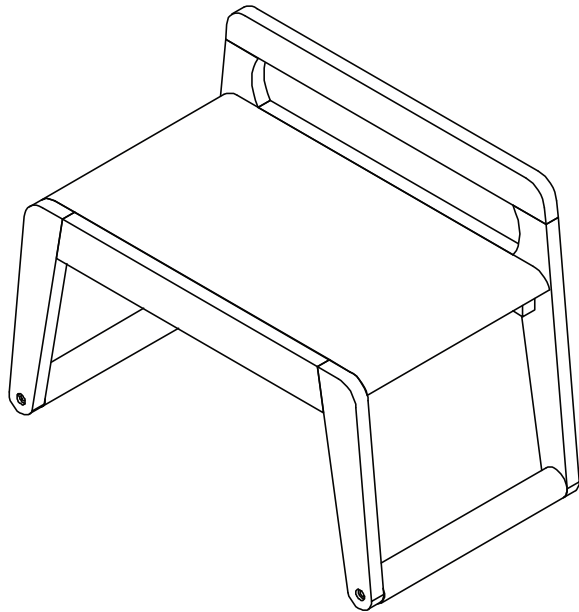
Attach top [3] to assembled frame and secure with 4 x bolts (A). Tighten with an Allen Key (B).

Hudson Kids Bench Seat

Assembly Instructions

mocka

3



Ensure all screws are fastened and legs sit flush with underside of the seats. All done! Regularly check all screws are secure but not overly tightened.