

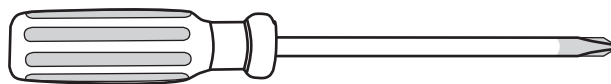
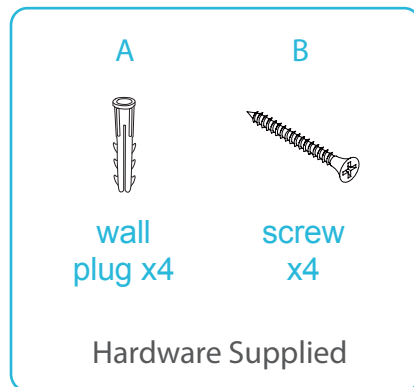
House Chalkboard

Assembly Instructions

Thank you for your purchase.
Please follow the instructions below for correct assembly.

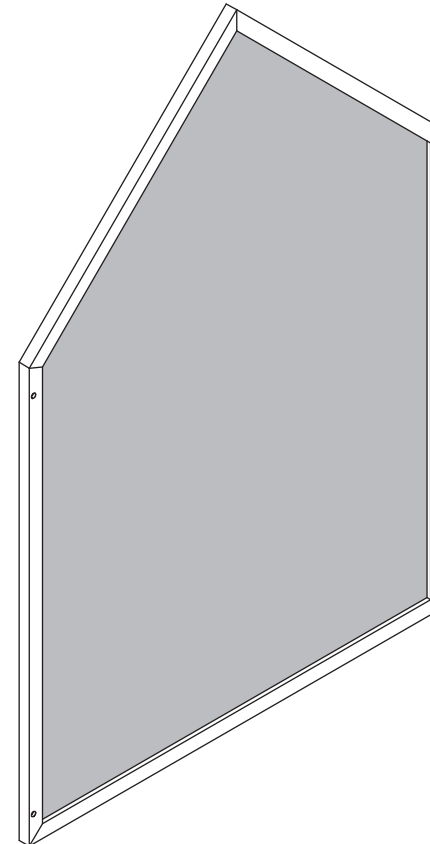
mocka

Suitable for ages 12 months +



Phillips screwdriver required

For quicker assembly, we recommend the use of a power drill on a low-speed setting.



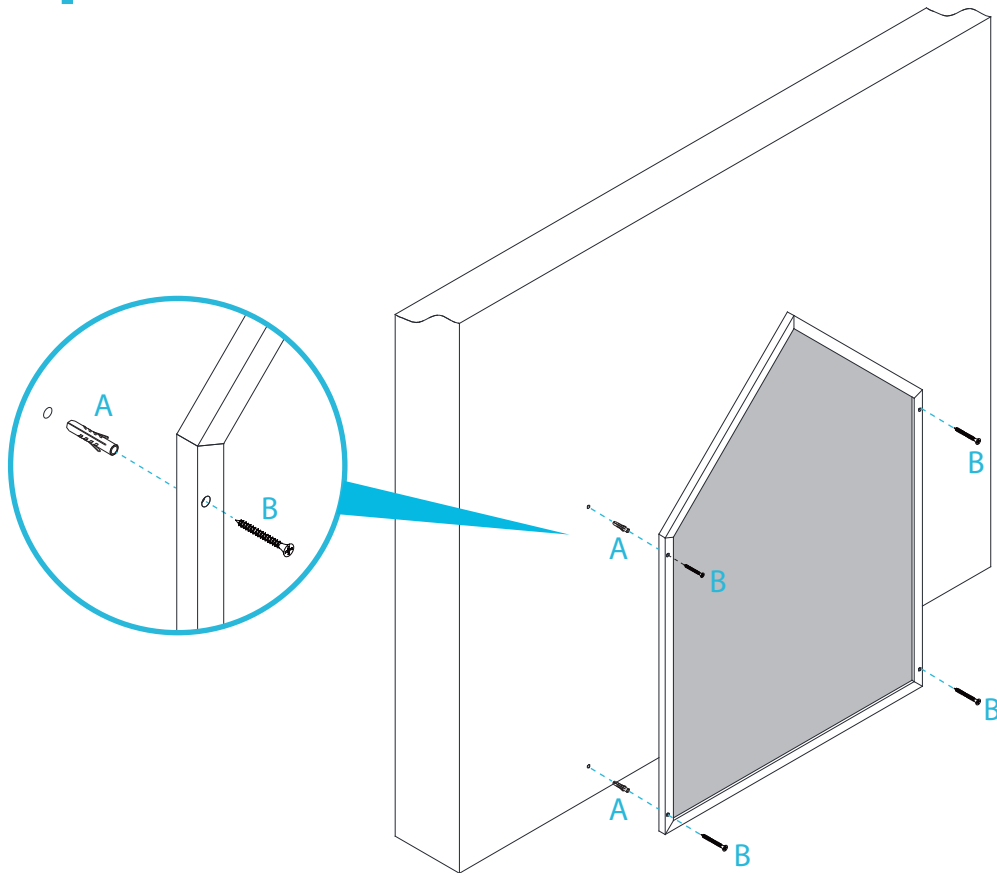
Warning: Small parts are used to assemble the House Chalkboard and should only be assembled by an adult. Keep all assembly parts away from small children.

House Chalkboard

Assembly Instructions

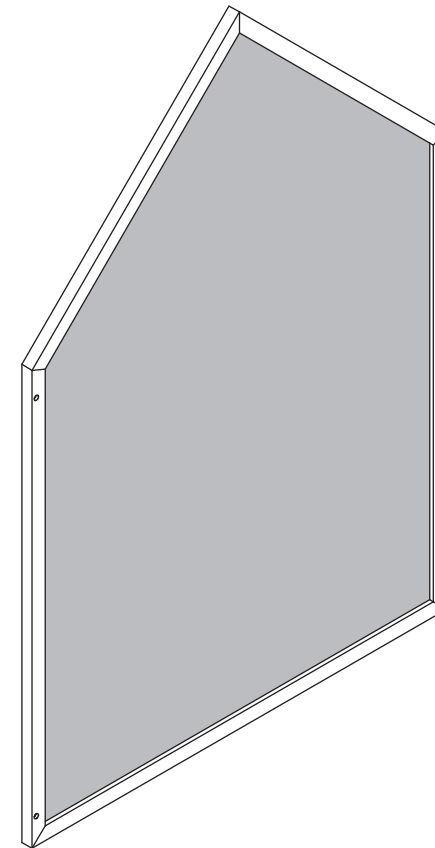
mocka

1



Lift the Chalkboard House into the desired location against a wall, do not drag. Fasten to the wall using 4x wall plugs (A) and 4x screws (B) as shown. Tighten with a screwdriver.

2



That's it. You're done, enjoy!