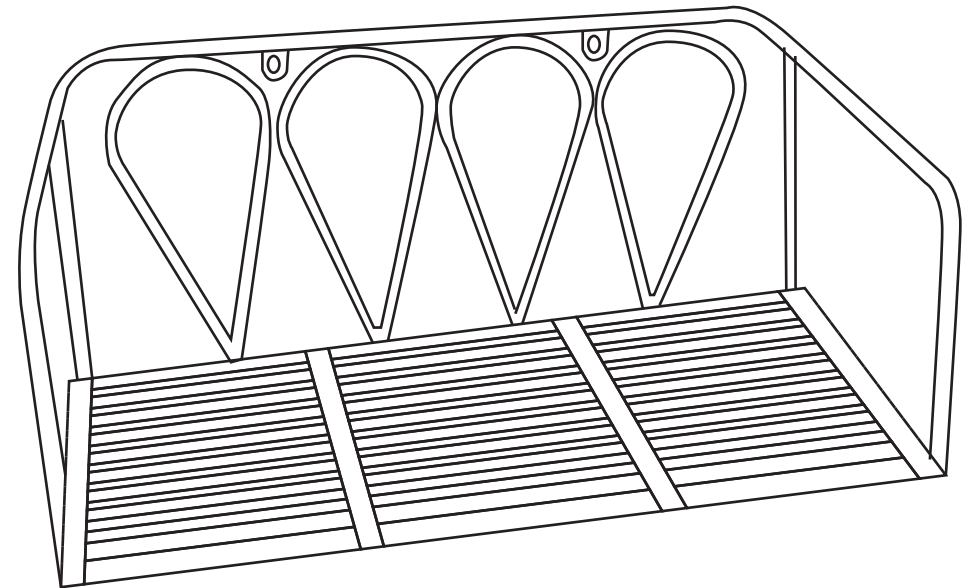


Honolulu Wall Shelf

Assembly Instructions

mocka

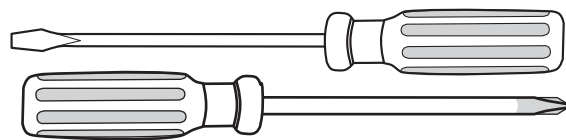
Thank you for your purchase.
Please follow the instructions below for correct assembly.



IMPORTANT : Max weight 30kg.

Installation must be carried out exactly according to the instructions - otherwise a safety risk can occur if incorrectly installed.

WARNING: Assess the suitability of the wall to ensure that the fastening devices will withstand the forces generated.



Phillips & Flathead screwdrivers required.

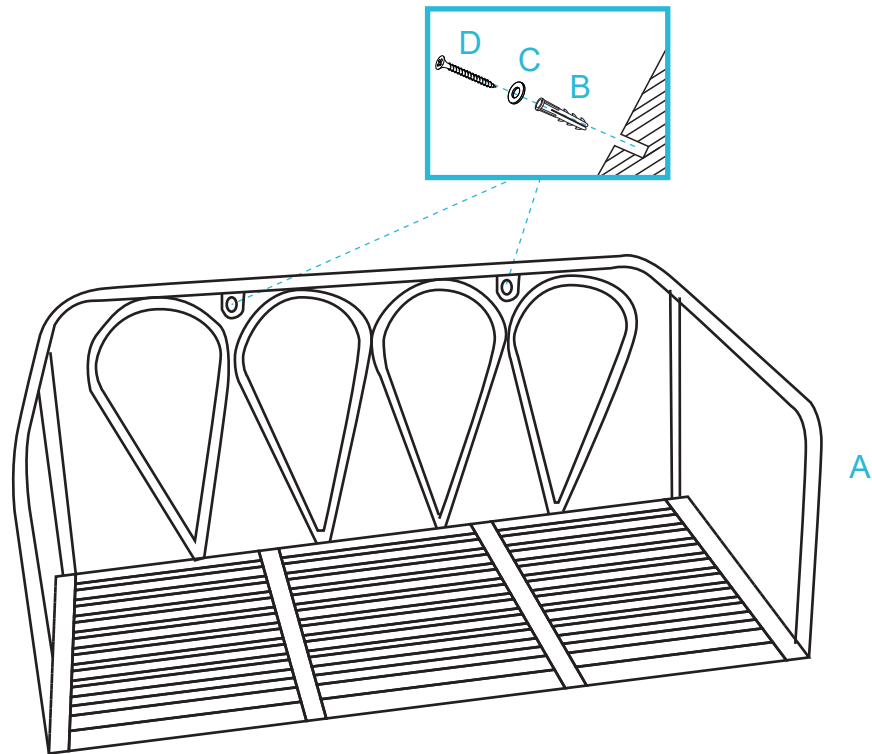
For quicker assembly, we recommend the use of a power drill on a low-speed setting.

Honolulu Wall Shelf

Assembly Instructions

mocka

1



Use a drill to create a small hole lining up with the top of the 2 x holes. Fasten wall shelf (A) to the wall using 2 x wall anchors (B), 2 x washers (C) and 2 x screws (D). Ensure unit is balanced and steady before use.