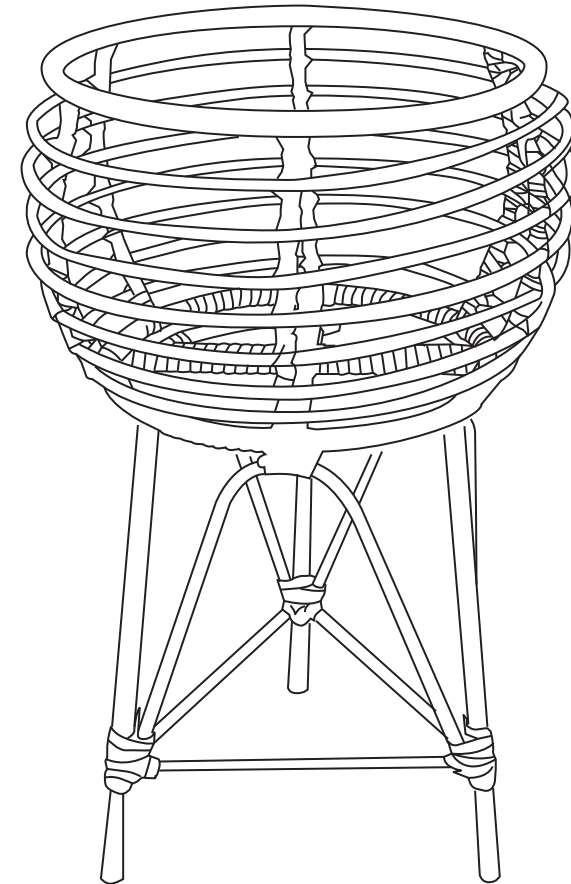
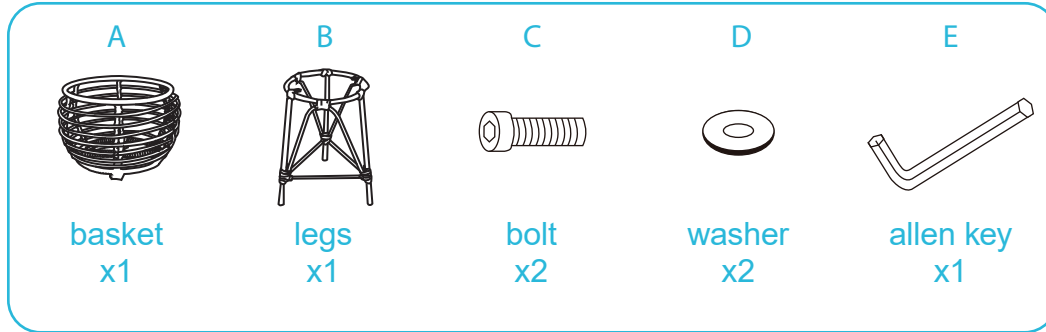


# Honolulu Plant Stand

## Assembly Instructions

Thank you for your purchase.  
Please follow the instructions below for correct assembly.

# mocka

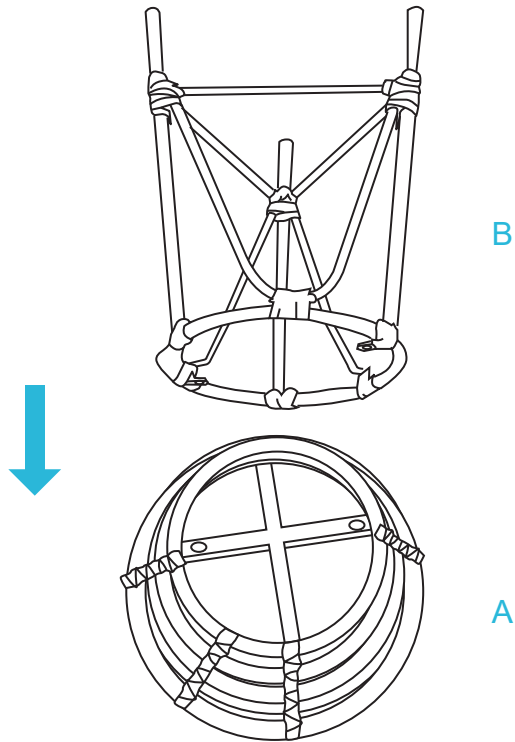


# Honolulu Plant Stand

## Assembly Instructions

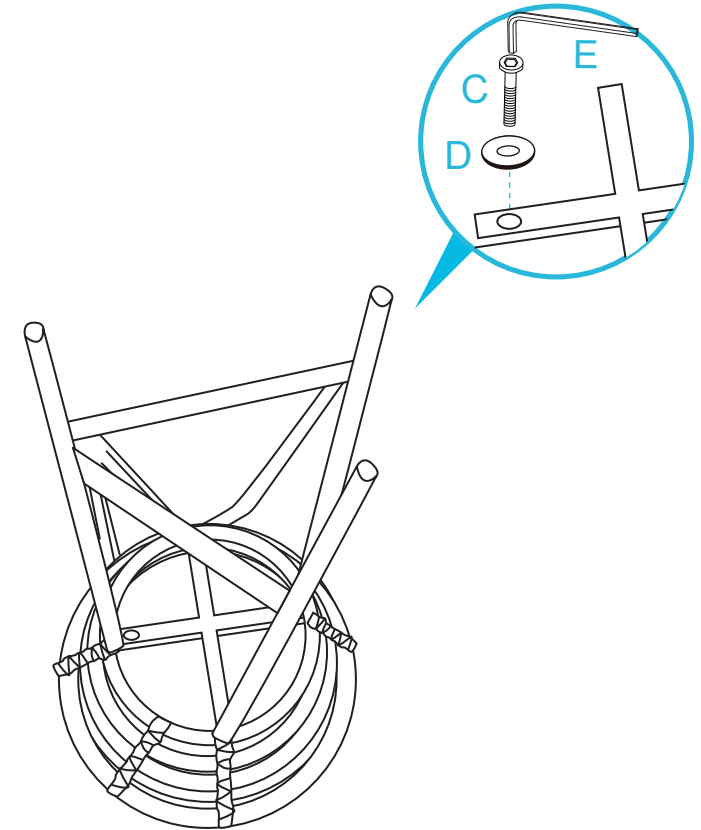
mocka

1



Position 1 x basket (A) and 1 x legs (B) upside down and move together as shown.

2



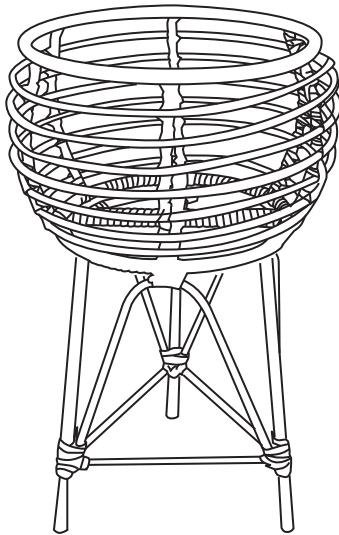
Attach together and secure with 2 x bolts (C) and 2 x washers (D). Tighten with an Allen Key (E).

# Honolulu Plant Stand

## Assembly Instructions

mocka

3



Turn assembled furniture back to its normal position. Once assembled lift furniture into place, do not drag. Ensure unit is balanced and steady before use. You're done, enjoy