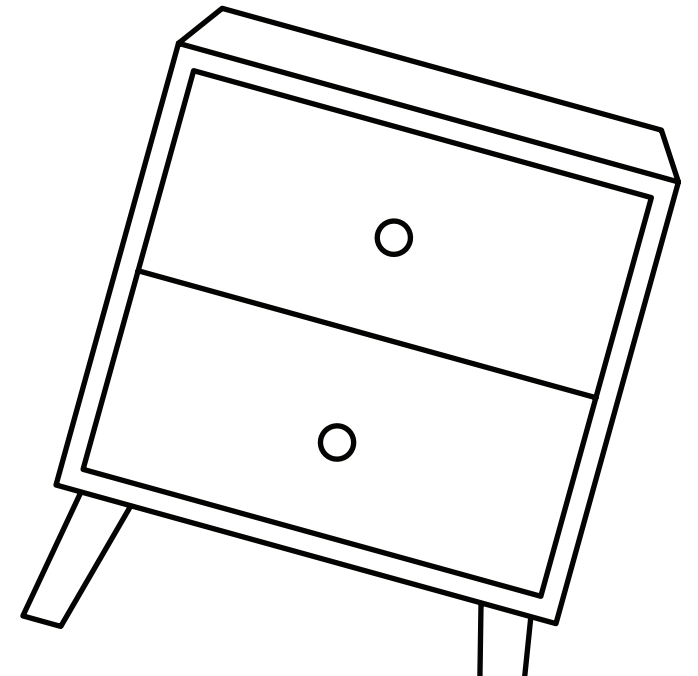
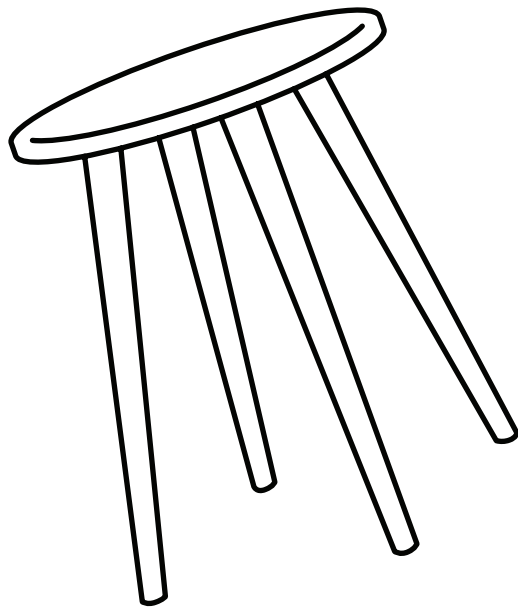


Hello,
I've arrived!

Now that I'm here you are only one
flat-pack away from transforming
your home.



Mocka.

Thank you for supporting us.

We believe design belongs to everyone. From materials and processes to safety testing, production and delivery, we are passionate and committed to bringing you the best possible product so you can create beautifully functional spaces to feel comfortably you.

Here are a few assembly tips before you get started:



Make Time

The first step to all seamless assembly is taking a moment to carefully read through the instructions—you are already on your way to creating a beautifully functional space!



Set The Mood

Put on your favourite playlist, order that pizza and pour yourself a drink to get in the mood!



Tool Check

Layout the instructions, screws and panels to check you have everything you need. A blanket or soft floor rug will help protect your new favourite item from scratches and a drill will speed up the assembly too!



Room Reveal

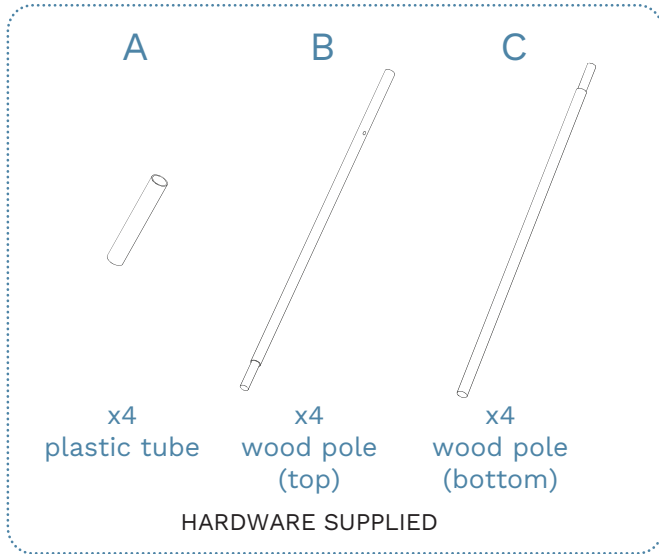
You did it! Take a step back and enjoy the moment. Don't forget to recycle any packaging and share a pic of your room reveal - we love seeing how you transform your home! Tag us @mockaaustralia/@mockaanz

Happy flat-packing!

The Mocka Team

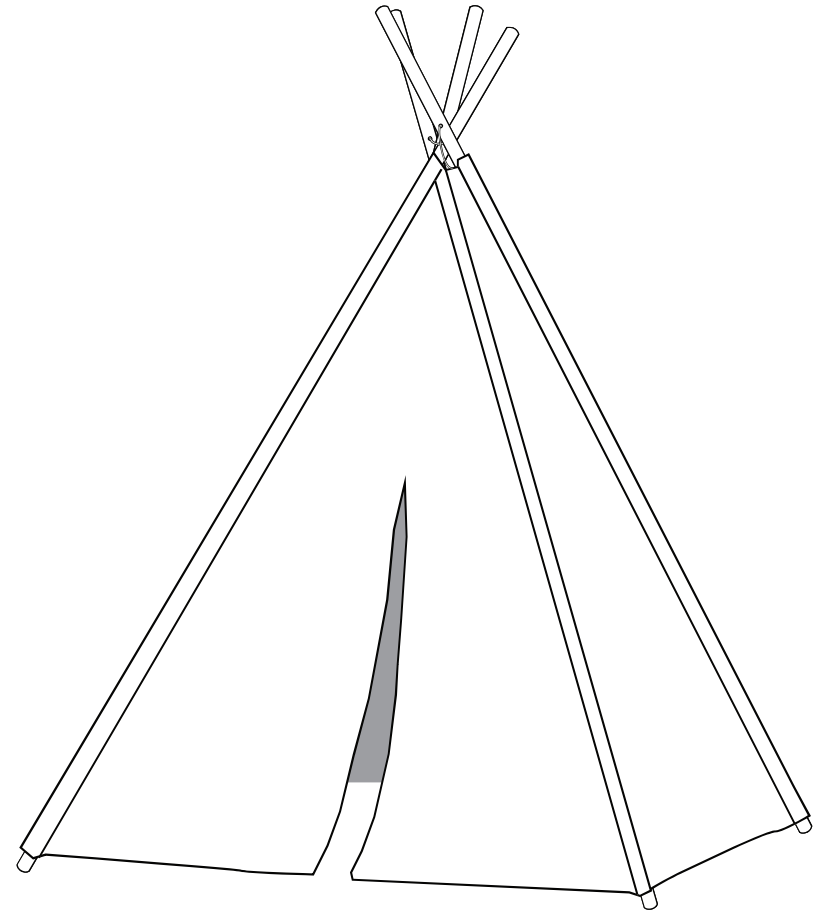
Henley Teepee

Thank you for purchasing Henley Teepee. Please follow the manufacturer's assembly instructions in detail.



WARNING!

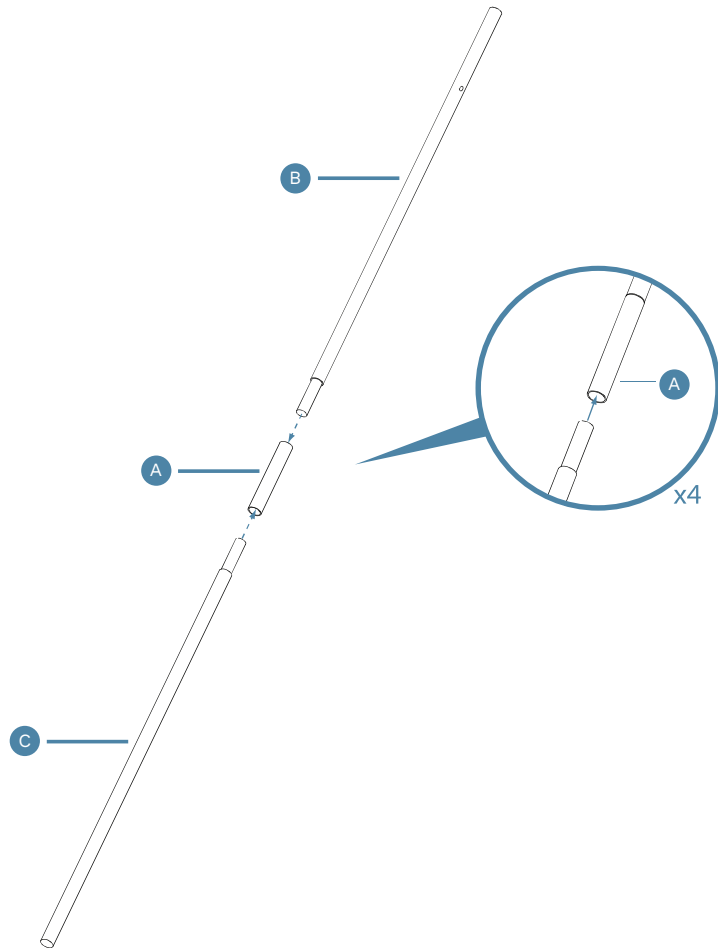
- Due to small parts, the Henley Teepee should be assembled by an adult.
- Keep away from fire.



Recommended age is 18 months +

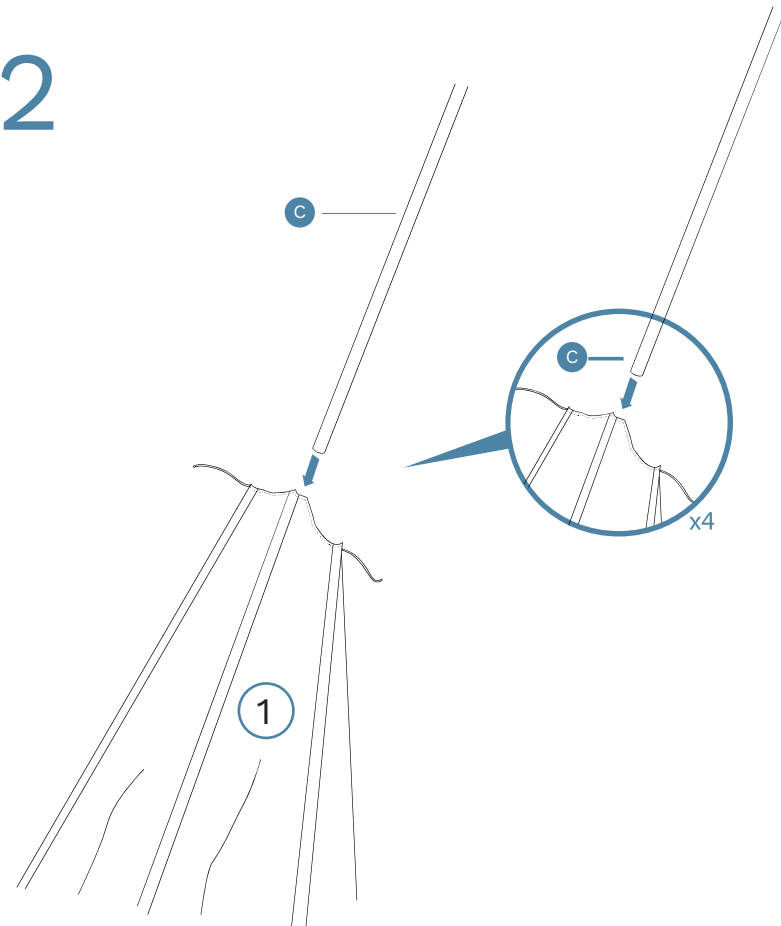
Henley Teepee

1



To begin assembly, connect wooden poles (B) and (C) together with the plastic tube (A) as shown. Repeat until all four poles are assembled.

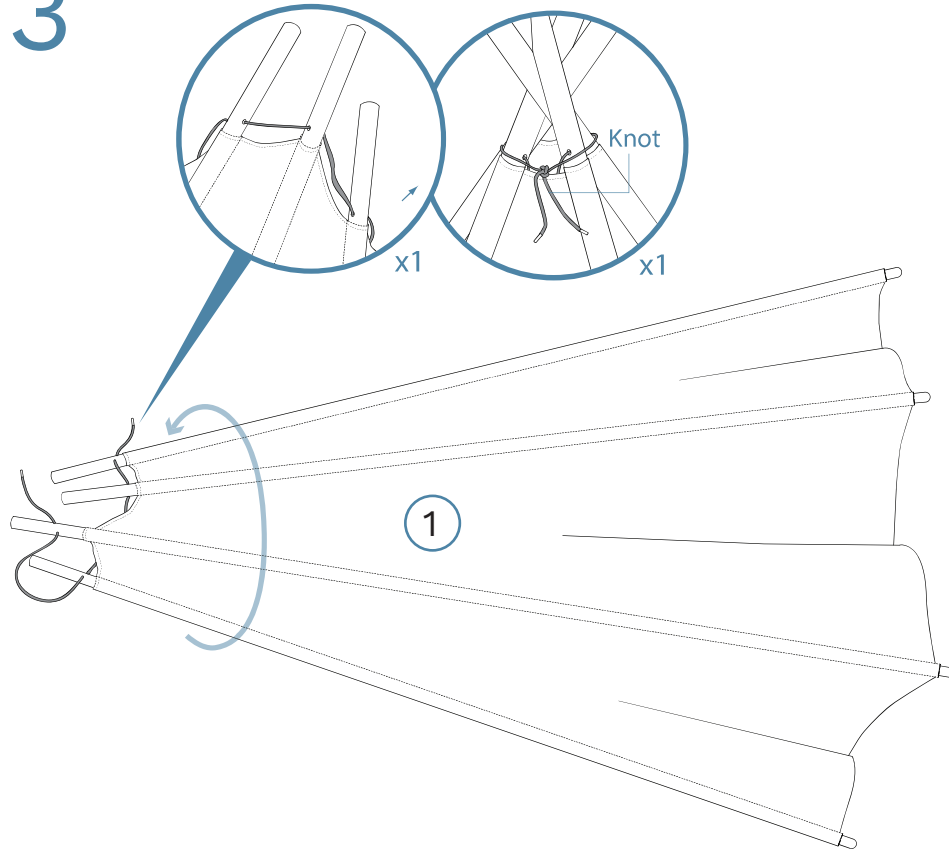
2



Insert four complete poles, one at a time, into the side channels on the inside of the teepee canvas. Ensure the wooden poles (B) with hole are at the top. Slide each pole right to the base of the canvas channel.

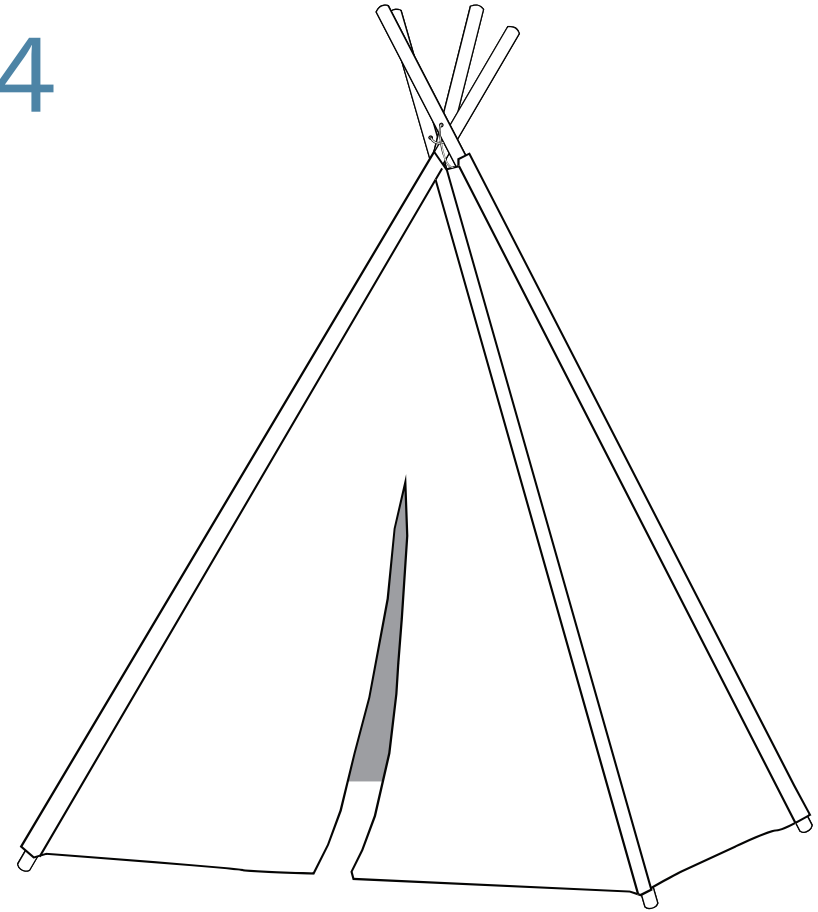
Henley Teepee

3



Attach wood poles together using the cotton string at the top of the canvas. Lie the teepee flat and bunch the ends together. Thread the string through the holes in the pole, alternating each time (keeping all poles bunched together). Tie the ends of the string together securely.

4



All done! Ensure all teepee poles are fully extended and the fabric in each section is taut. The fabric should not sag between poles if all poles are fully extended. Enjoy!