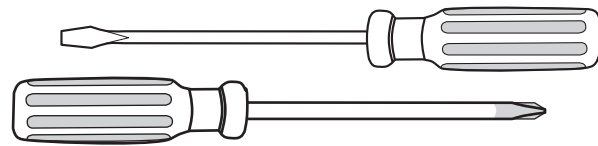
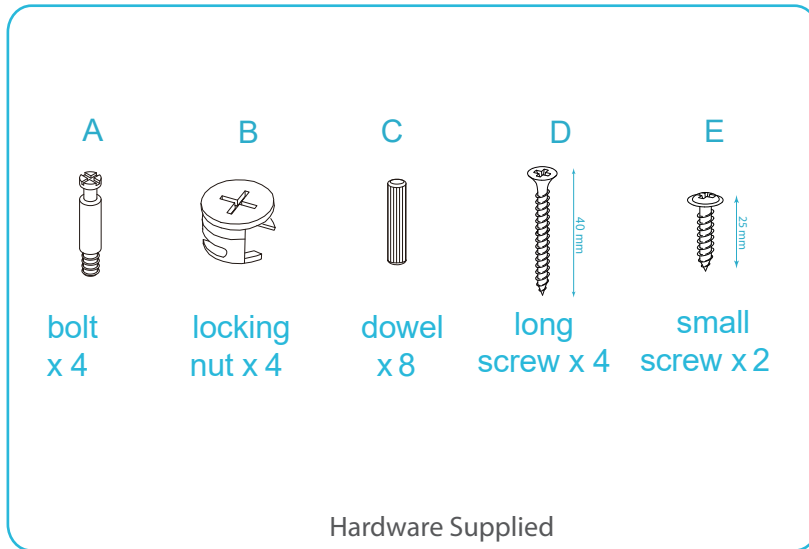


Hamptons Side Table

Assembly Instructions

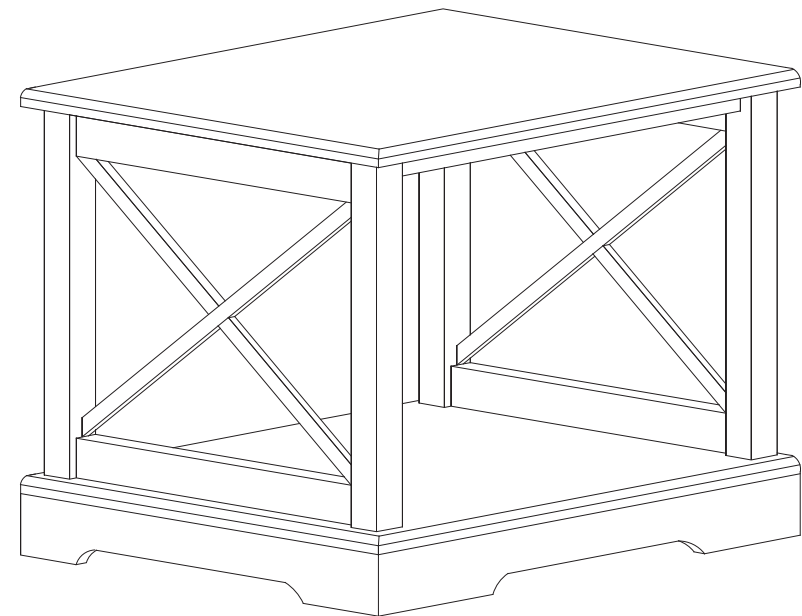
Thank you for your purchase.
Please follow the instructions below for correct assembly.

mocka



Phillips & Flathead screwdrivers required

For quicker assembly, we recommend the use of a power drill on a low-speed setting.



*We recommend using a Flathead screwdriver to tighten all locking nuts 100% before first use.
Please clear any loose wood from the locking nut holes before inserting the nut to ensure it locks 100%.

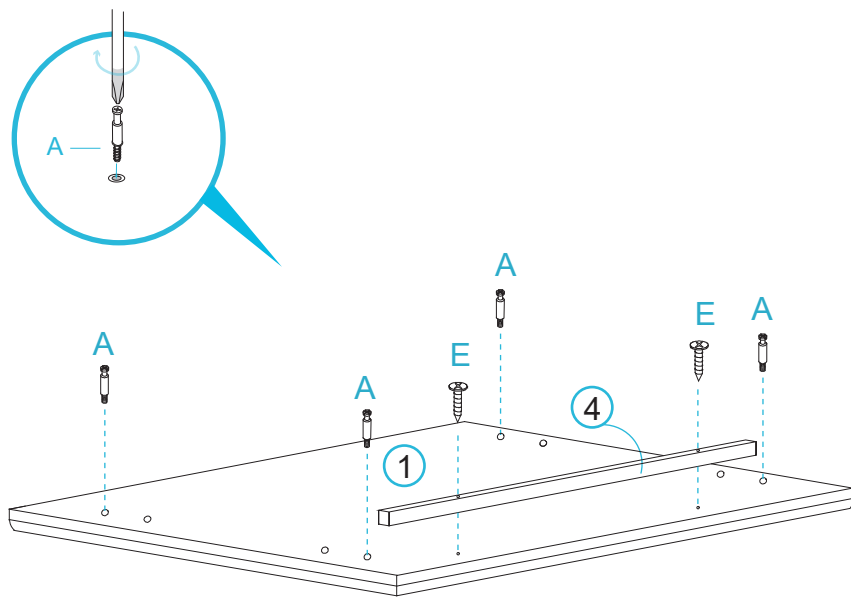
Hamptons Side Table

Assembly Instructions

mocka

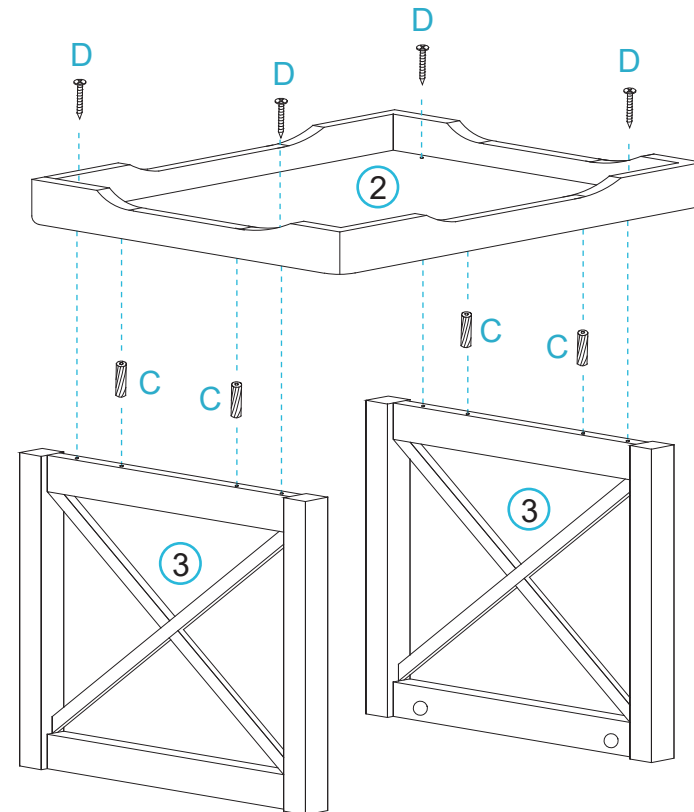
Thank you for your purchase.
Please follow the instructions below for correct assembly.

1



Insert 4 x bolt (A) into panels [1] .Attach 2 x screw (E) into panel [4] and[1].
Tighten with a screwdriver.

2



Attach panels [3] to panel [2] and secure with 4 x long screws(D).
Insert 4 x dowel (C) into panel [3] and [2] .

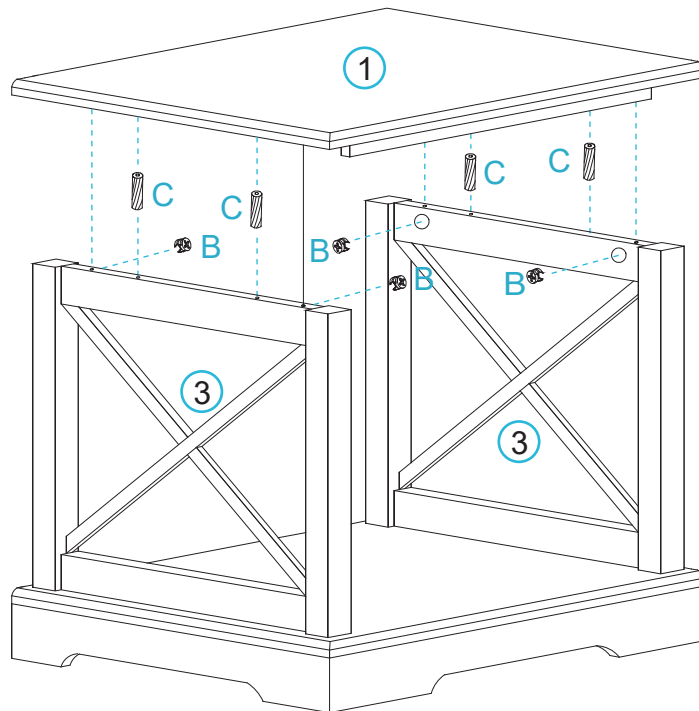
Hamptons Side Table

Assembly Instructions

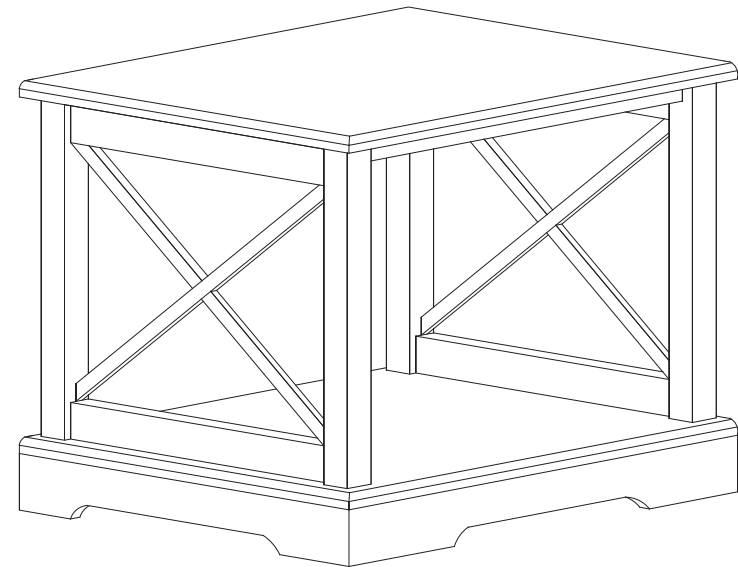
mocka

Thank you for your purchase.
Please follow the instructions below for correct assembly.

3



4



Insert 4 x dowel (C) into panel [3]. Attach panels [1] to panel [3], [1] and [3] and secure with 4 x locking nuts (B). Tighten with a screwdriver.