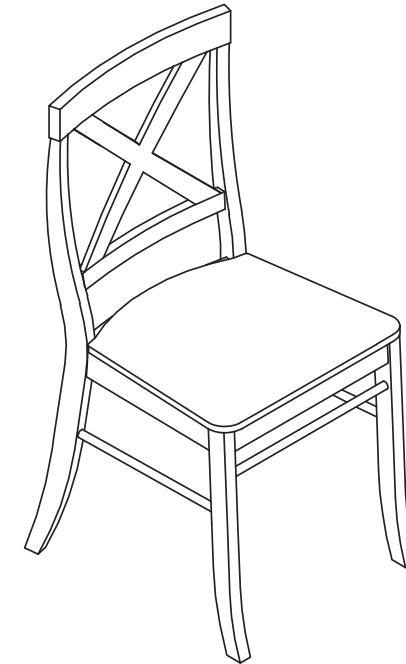
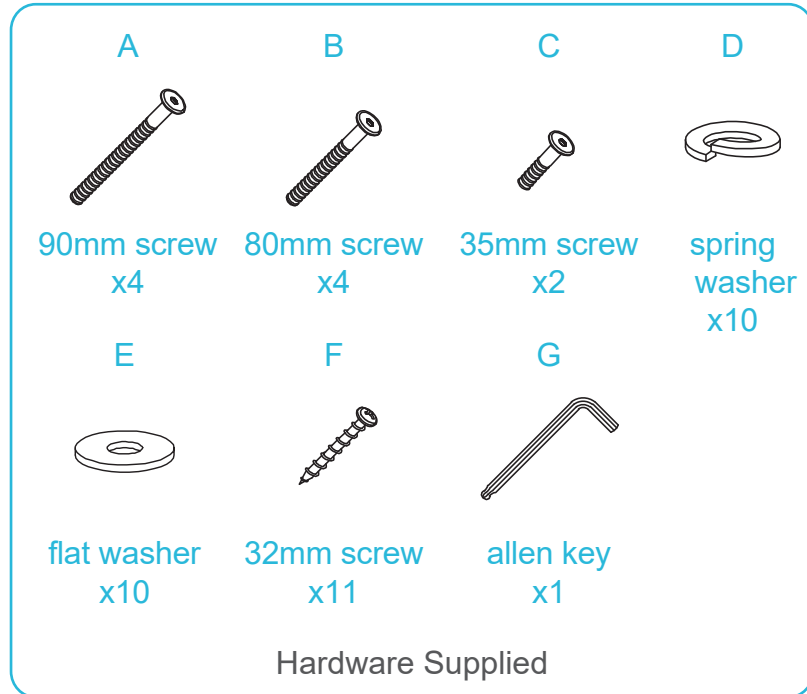


Hamptons Dining Chair

Assembly Instructions

Thank you for your purchase.
Please follow the instructions below for correct assembly.

mocka

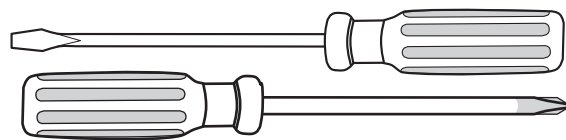


Read the instructions carefully. Refer to the hardware and furniture parts list for guidance. Be sure all of the parts are complete before assembling. Place all of the wooden furniture parts on a clean and flat soft surface to prevent scratches.

Refer to the steps provided as an assembling guide.

CAUTION :

1. Do not tighten the nuts or nut bolts completely until they are all in place.
2. To avoid thread damage, avoid overtightening nuts or nut bolts.
3. Hardware is to be kept out of reach of children.



Phillips & Flathead screwdrivers required.

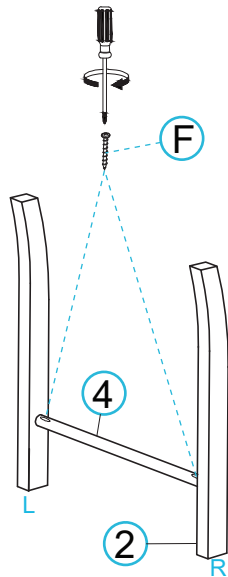
For quicker assembly, we recommend the use of a power drill on a low-speed setting.

Hamptons Dining Chair

Assembly Instructions

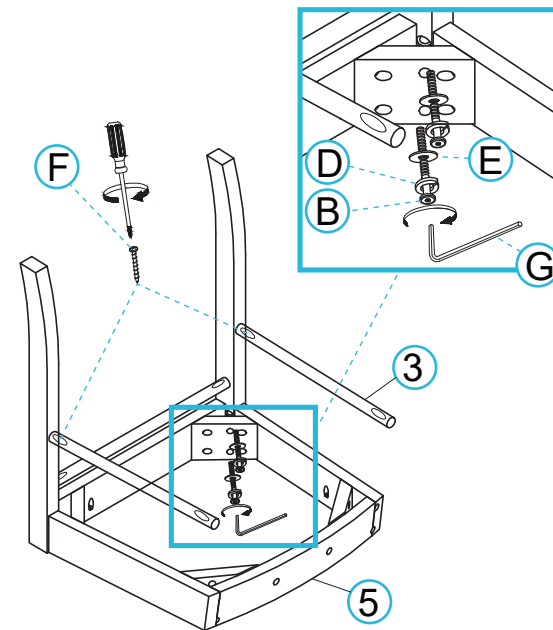
mocka

1



Attach 2 x front legs (2) and 1 x front stretcher (4) together and secure with 2 x 32mm screws (F). Tighten with a screwdriver.

2



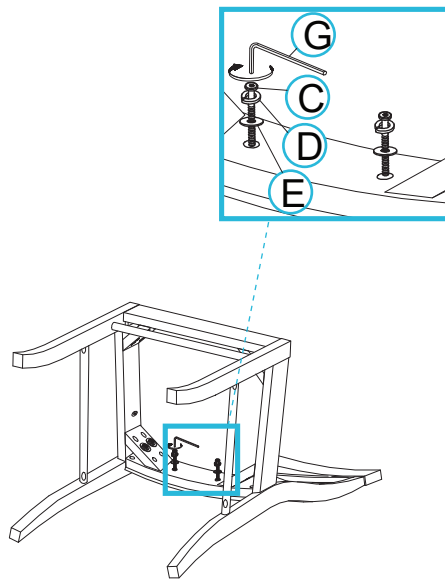
Attach assembled frame and 2 x side stretchers (3) to 1 x box frame (5) and secure with 4 x 80mm screws (B), 4 x spring washers (D) and 4 x flat washers (E). Attach stretchers (3) and secure with 2 x 32mm screws (F). Tighten with an allen key (G).

Hamptons Dining Chair

Assembly Instructions

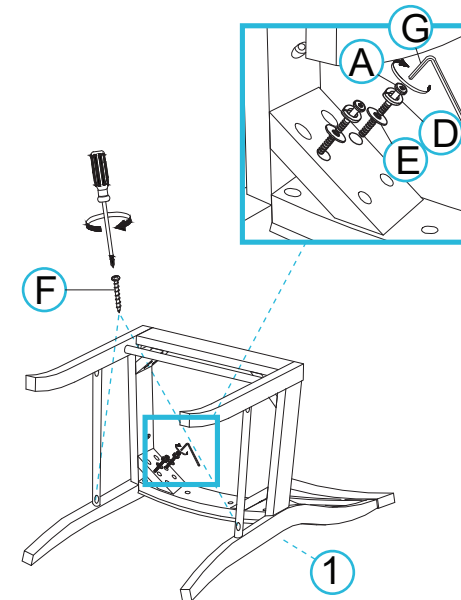
mocka

3



Attach 1 x chair back (1) to assembled frame and secure frame together with 2 x 35mm screws (C), 2 x spring washers (D), 2 x flat washers (E). Tighten with an allen key (G).

4



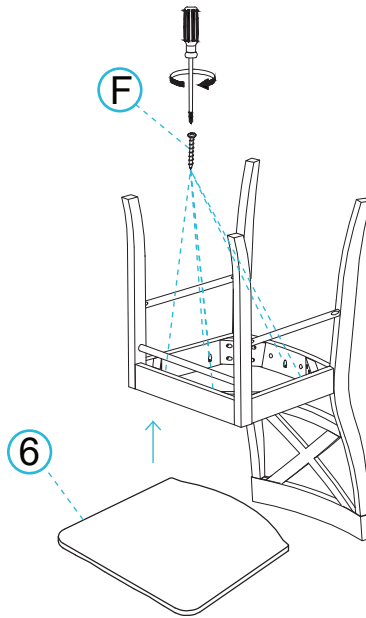
Secure with 4 x 90mm screws (A), 4 x spring washers (D) and 4 x flat washers (E). Attach stretchers (3) and secure with 2 x 32mm screws (F). Tighten with an allen key (G).

Hamptons Dining Chair

Assembly Instructions

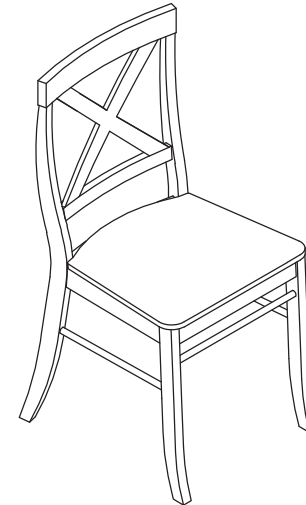
mocka

5



Attach 1 x chair seat (6) to assembled frame and secure with 5 x 32mm screws (F). Tighten with a screwdriver.

6



Once assembled lift furniture into place, do not drag. Ensure unit is balanced and steady before use. You're done, enjoy!