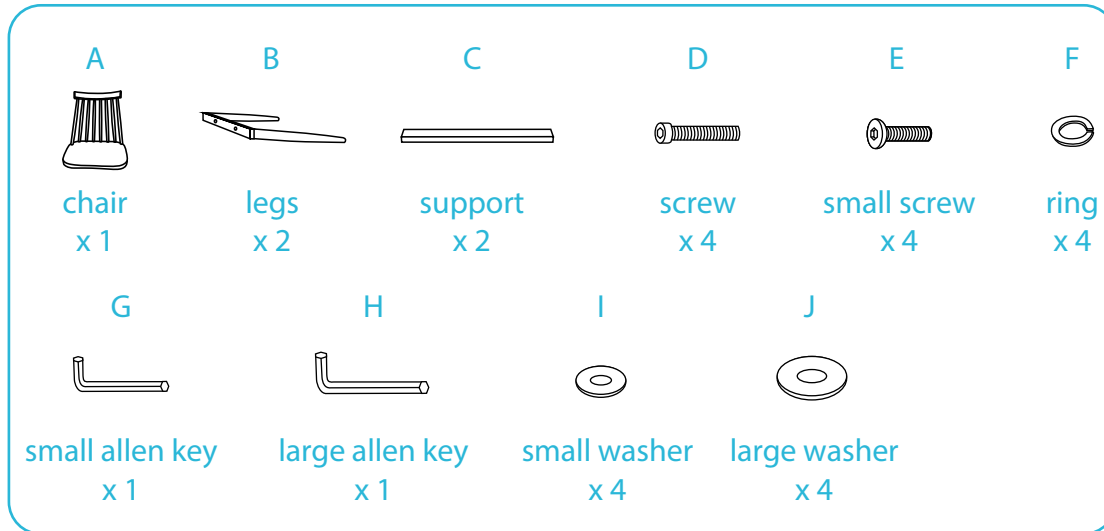


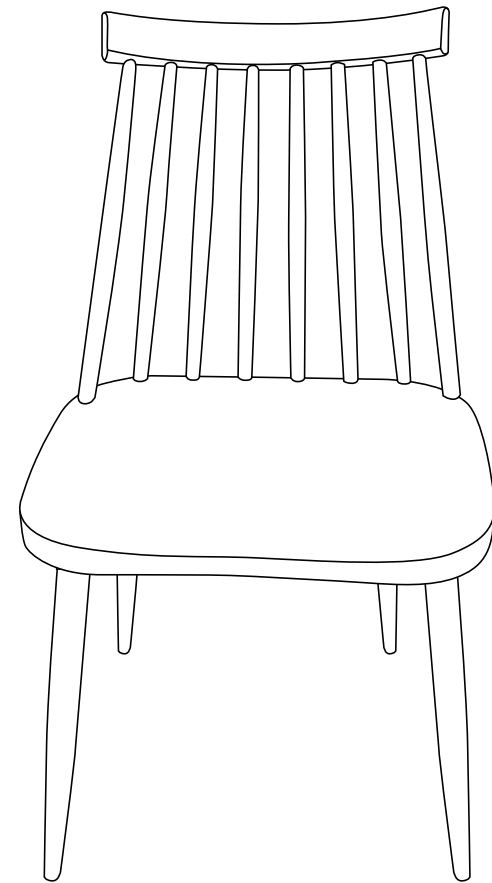
Flynn Dining Chair

Assembly Instructions

Thank you for your purchase.
Please follow the instructions below for correct assembly.



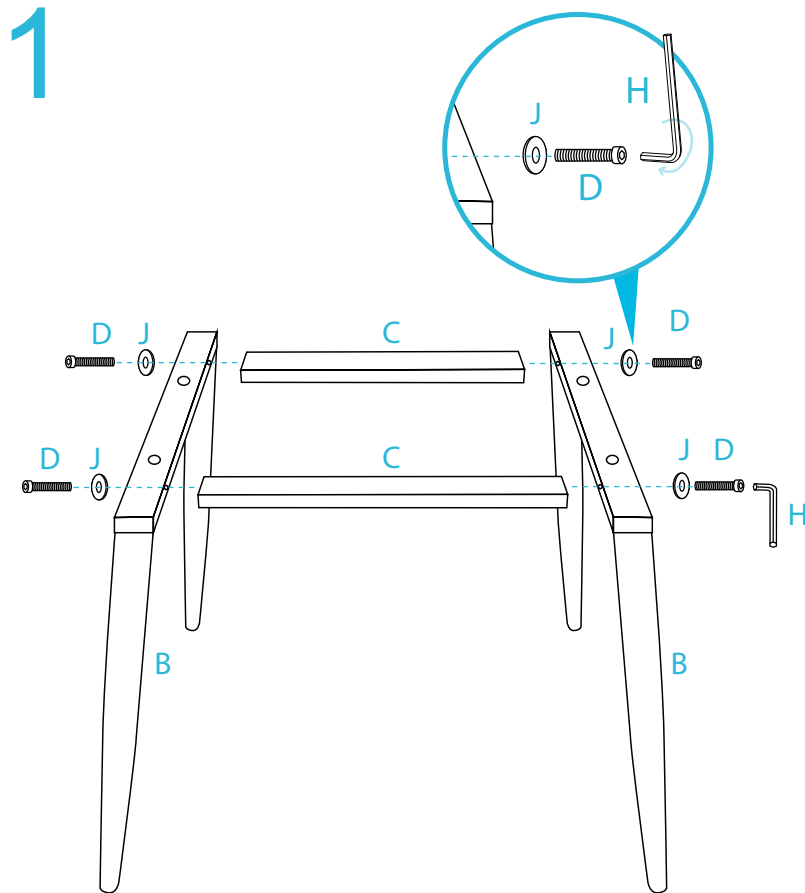
mocka



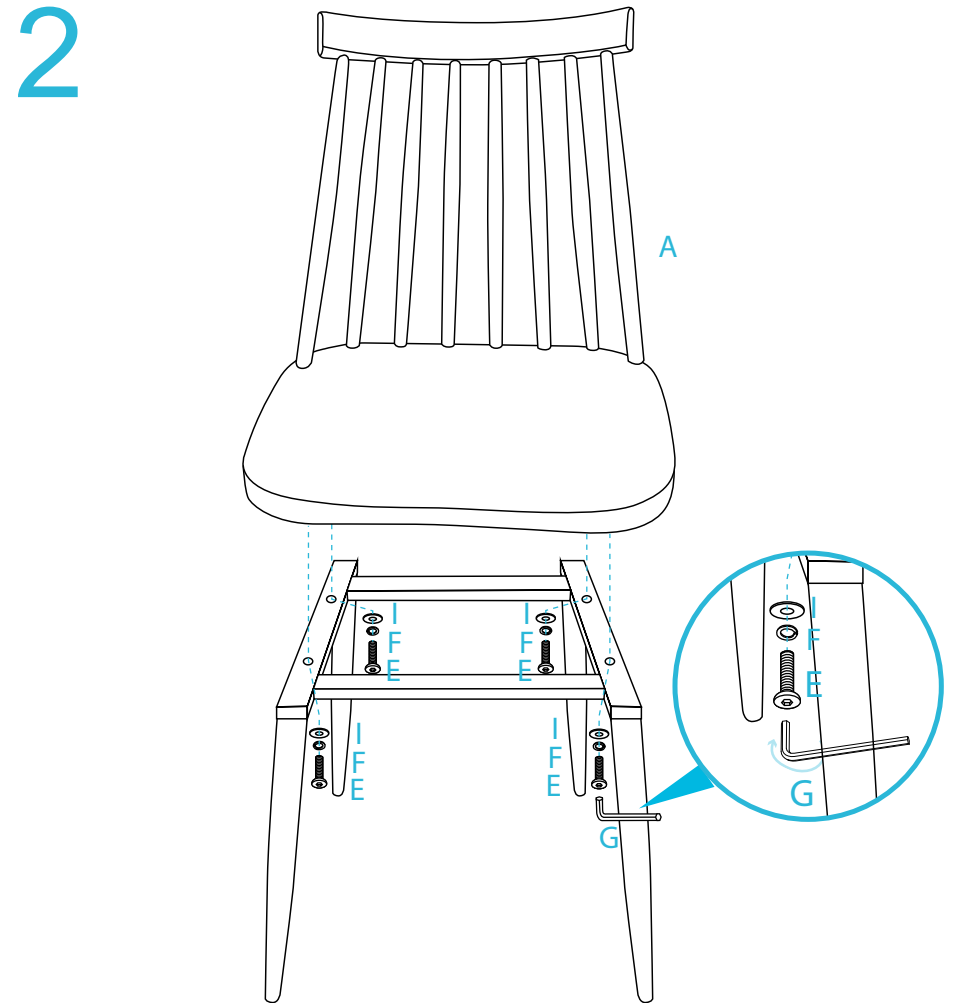
Flynn Dining Chair

Assembly Instructions

mocka



Attach 2x legs (B) and 2x supports (C) and secure with 4x large washers (J) and 4x screws (D). Tighten with the large Allen key (H).



Attach 1x seat (A) to the legs and secure with 4x small washers (I), 4x rings (F) and 4x small screws (E). Tighten with the small Allen key (G). You're done, enjoy!