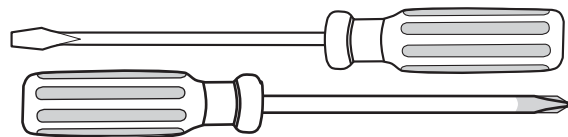
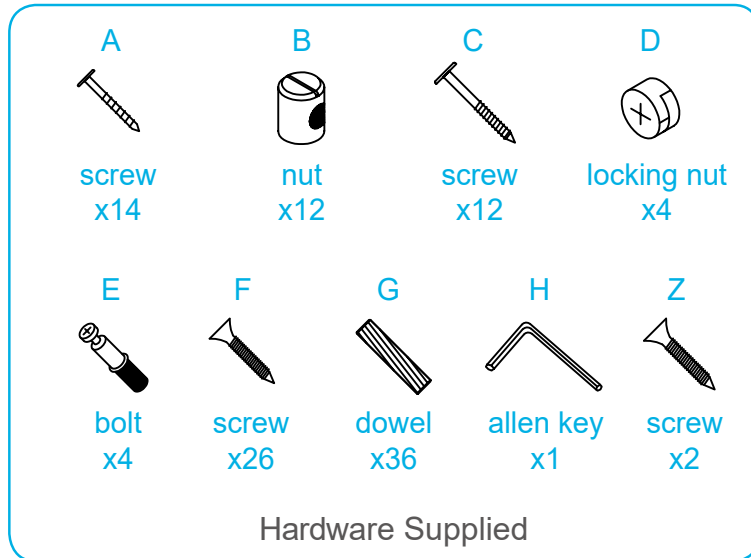


Finn House Bed – Single

Assembly Instructions

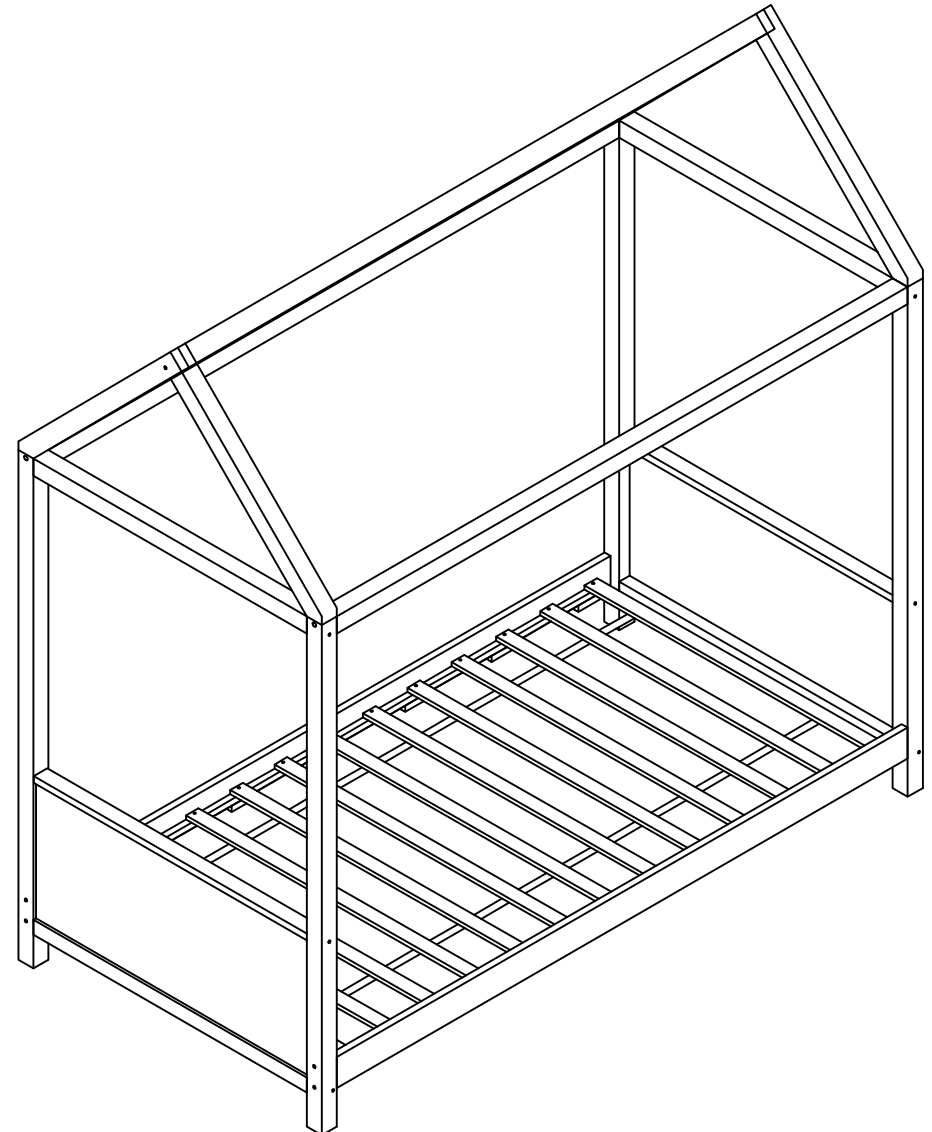
mocka

Thank you for your purchase.
Please follow the instructions below for correct assembly.



Phillips & Flathead screwdrivers required.

For quicker assembly, we recommend the use of a power drill on a low-speed setting.

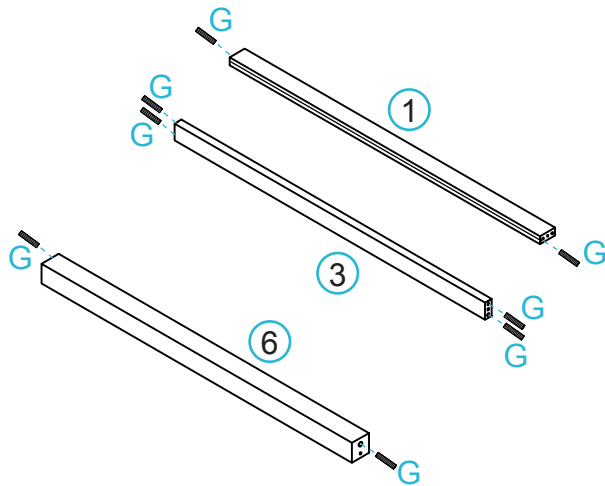


Finn House Bed – Single

Assembly Instructions

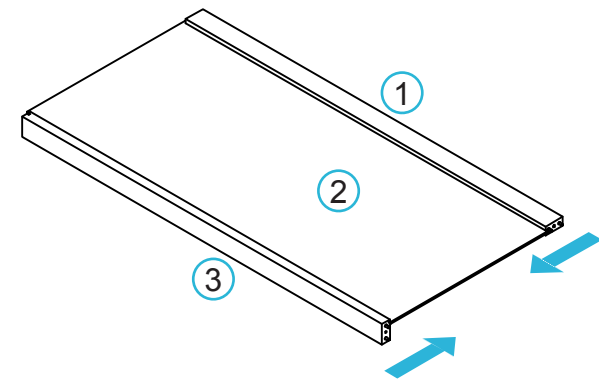
mocka

1x2



Insert 16 x dowles (G) into panels [1], [3] and [6].

2

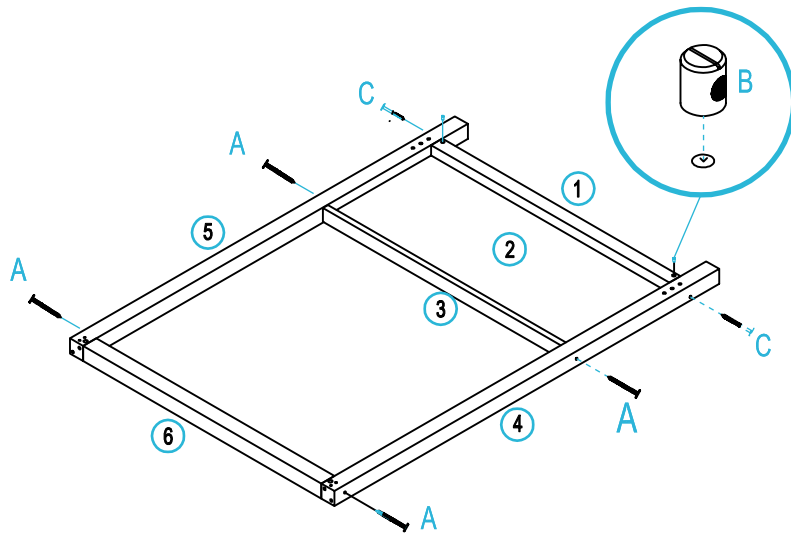


Attach panels [1], [2] and [3] together as shown.

Finn House Bed – Single

Assembly Instructions

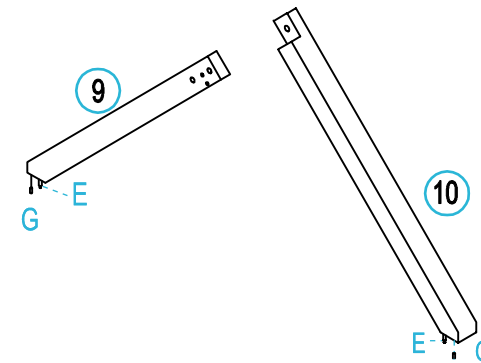
3x2



Attach panels [6], [3], [2] and [1] to panels [4] and [5] and secure with 8 x screws (A), 4 x screws (C) and 4 x nuts (B). Tighten with a screwdriver.

mocka

4x2



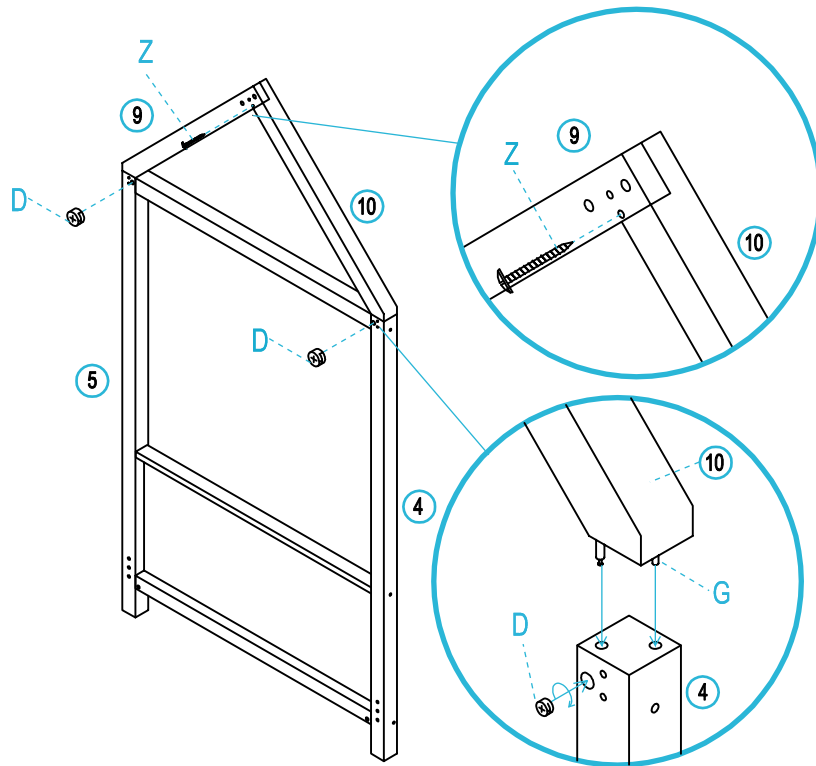
Attach 4 x bolts (E) and 4 x dowels (G) to panels [9] and [10] as shown. Tighten with a screwdriver.

Finn House Bed – Single

Assembly Instructions

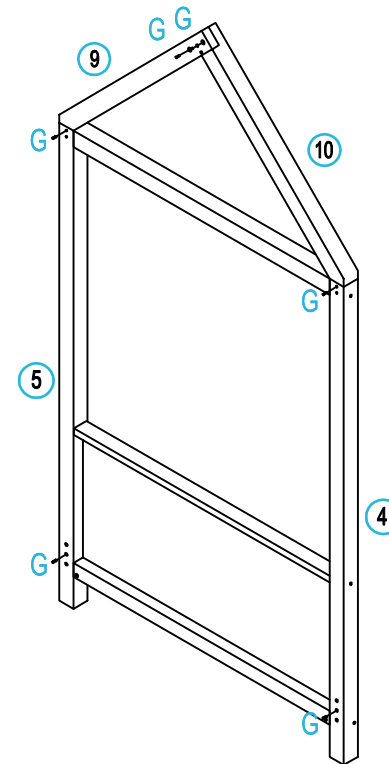
mocka

5x2



Attach panels [9] and [10] to assembled frame and secure with 4 x locking nuts (D) and 2 x screws (Z). Tighten with a screwdriver.

6x2

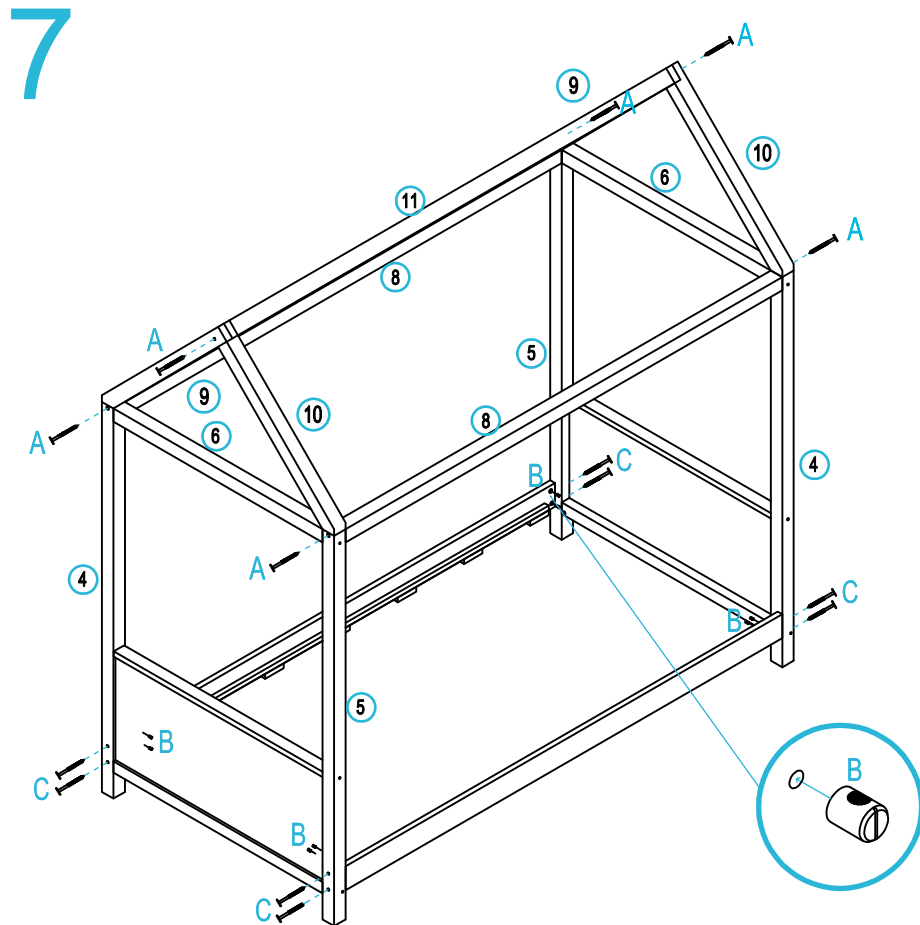


Insert 12 x dowels (G) into assembled frame as shown.

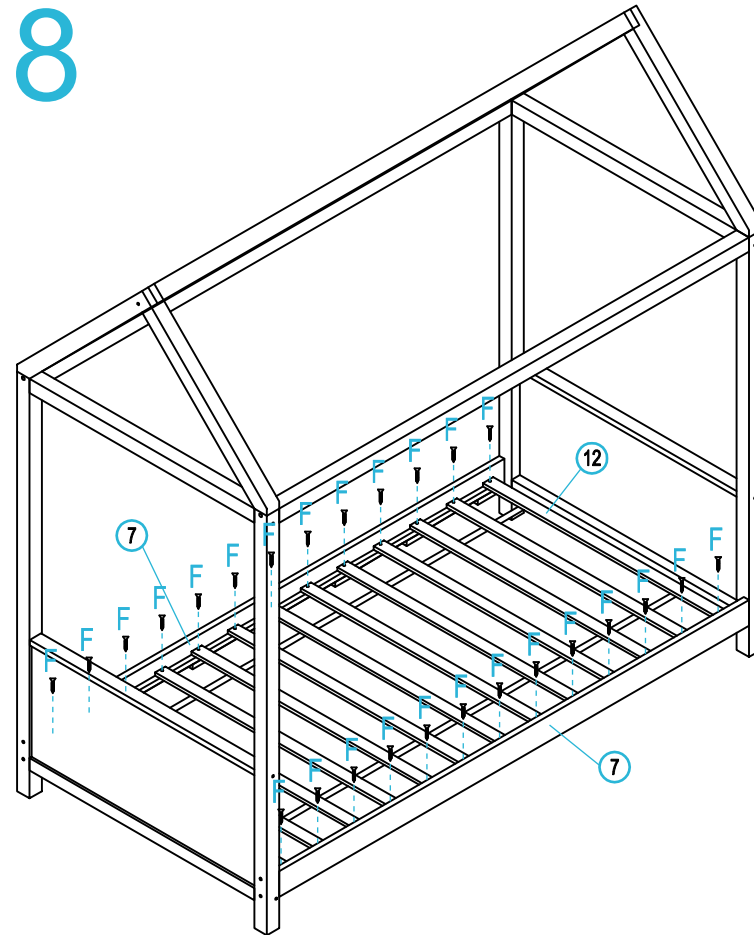
Finn House Bed – Single

Assembly Instructions

mocka



Attach assembled frames together as shown and secure with 8 x screws (C), 6 x screws (A) and 8 x nuts (B). Tighten with a screwdriver.



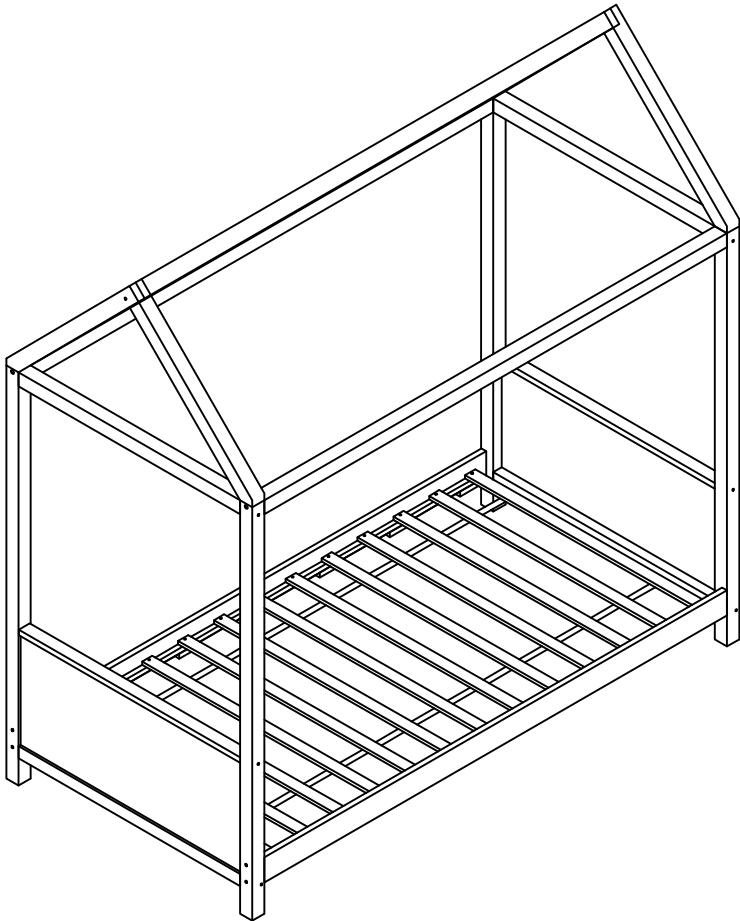
Attach panel [12] to panels [7] and secure with 26 x screws (F). Tighten with a screwdriver.

Finn House Bed – Single

Assembly Instructions

mocka

9



Lift the furniture into place, do not drag. You're done, enjoy!