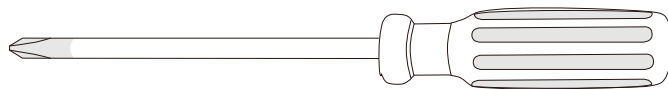
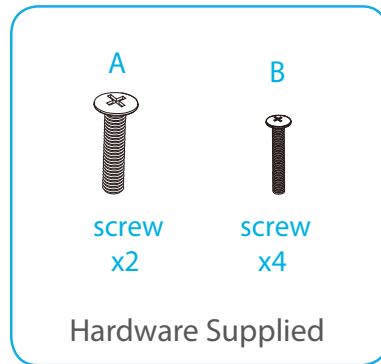


# Felix Wooden Playgym

## Assembly Instructions

Thank you for your purchase.  
Please follow the instructions below for correct assembly.

# mocka



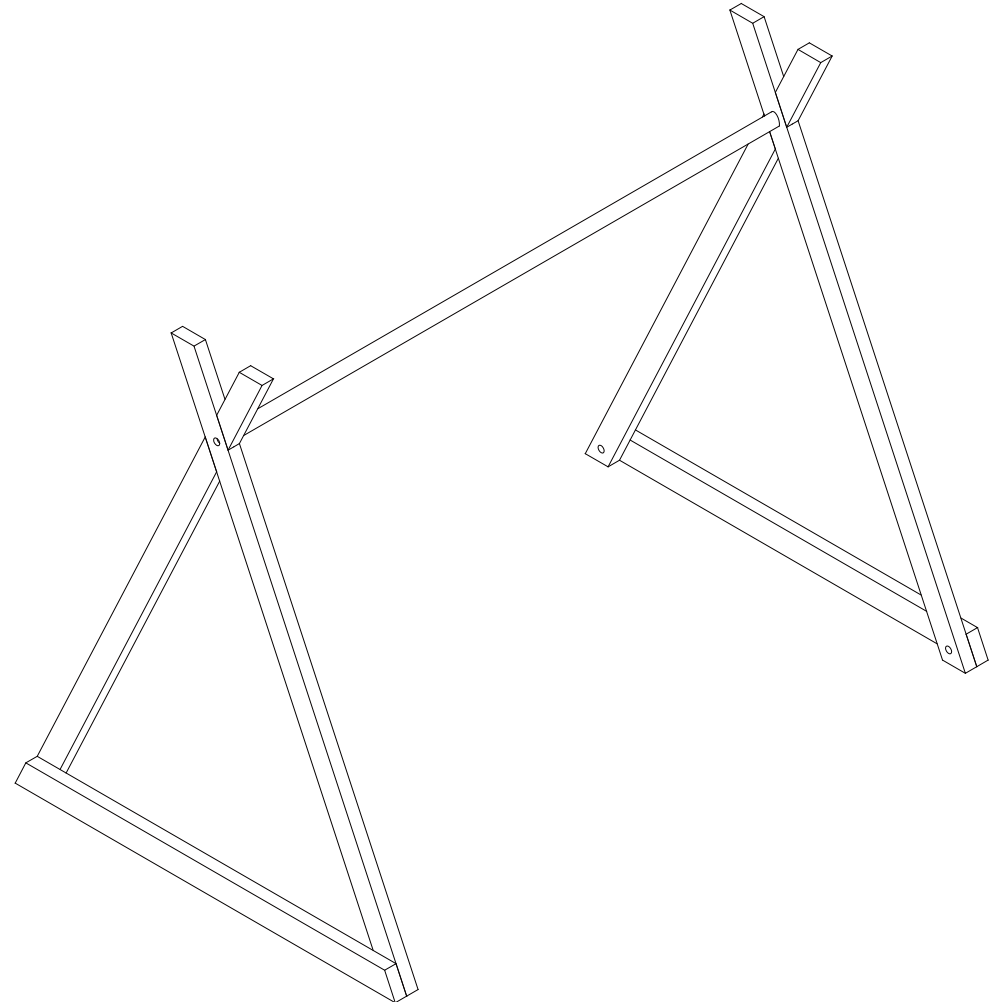
Phillips & Flathead screwdrivers required.

For quicker assembly, we recommend the use of a power drill on a low-speed setting.



### WARNING

The parts of the play gym in their unassembled state contain potentially hazardous small parts and should be assembled by an adult.

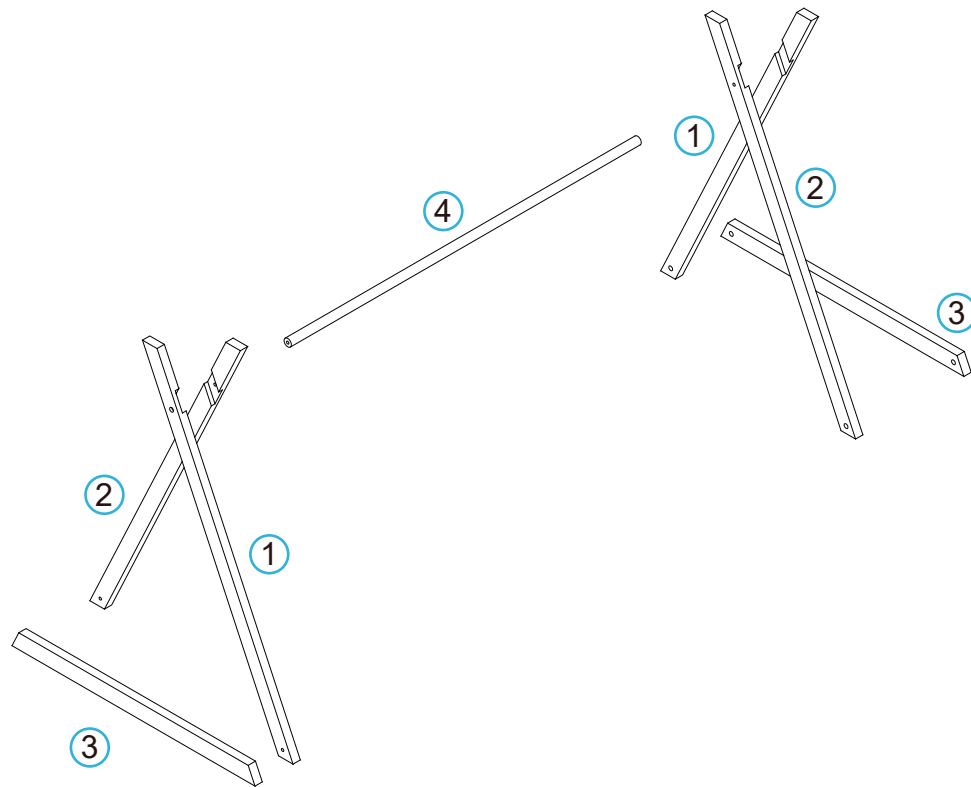


# Felix Wooden Playgym

## Assembly Instructions

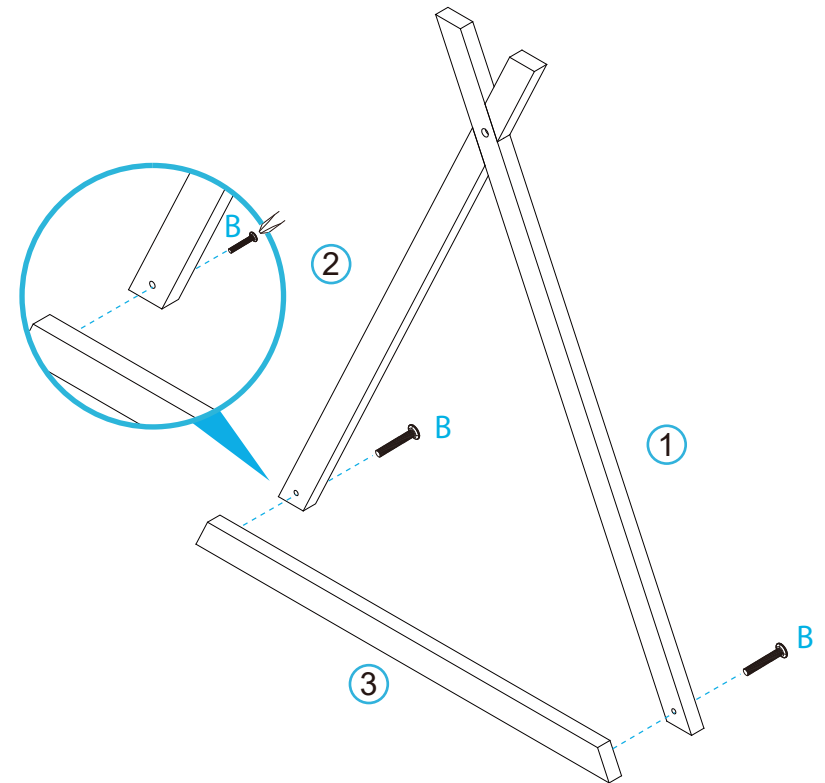
mocka

1



To begin, lay out the panels as shown.

2



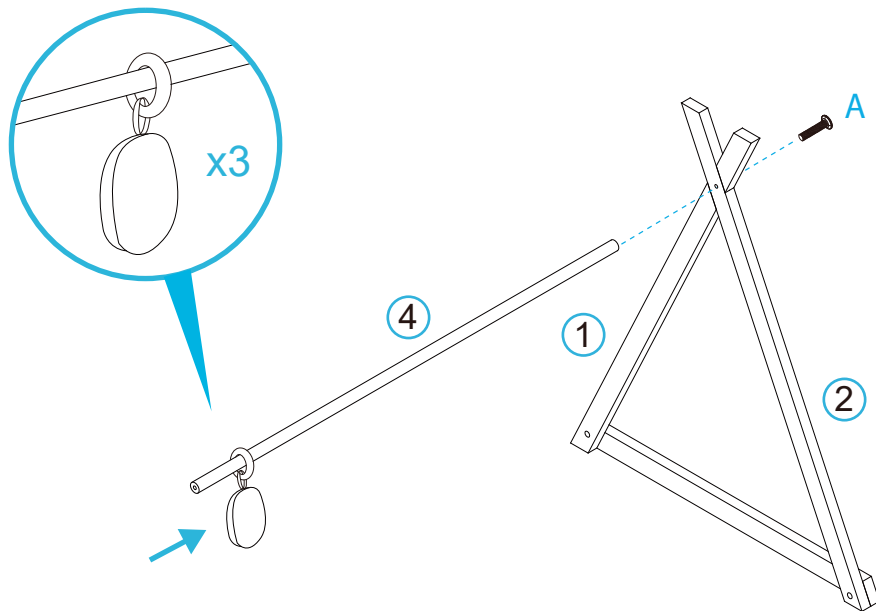
Attach panel [3] to panels [1] and [2] using 2x screws (B). Tighten with a screwdriver. Repeat for the other side of the gym.

# Felix Wooden Playgym

## Assembly Instructions

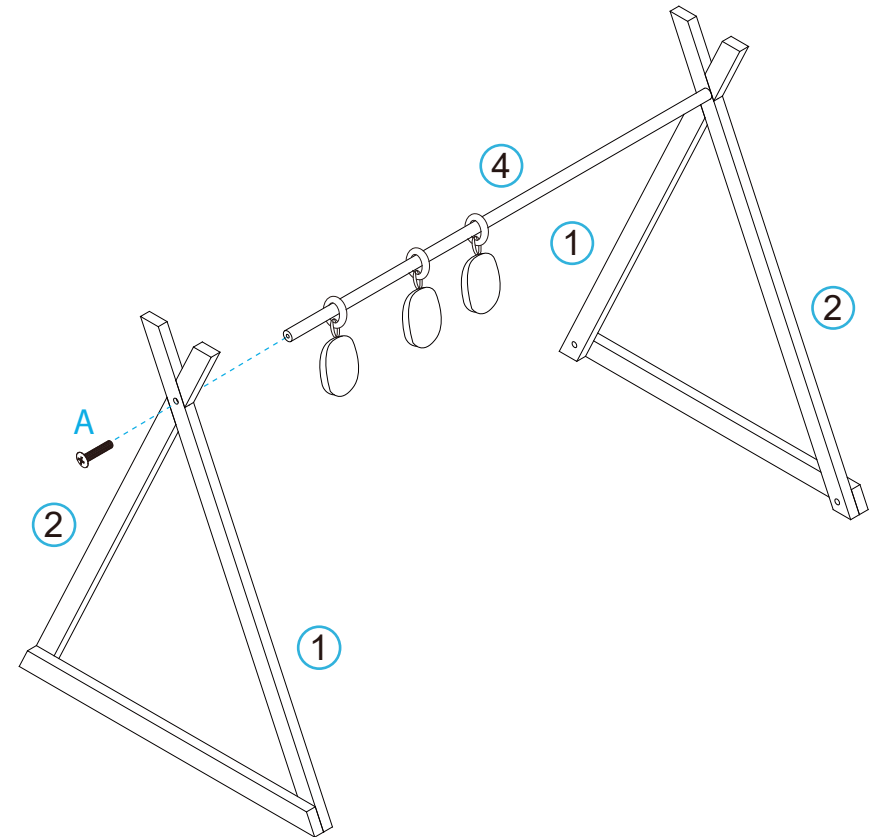
mocka

3



Attach one side (panels [1] and [2]) to one end of panel [4] using 1x screw (A). Tighten with a screwdriver. Slide three toys along panel [4].

4



Attach the other side (panels [1] and [2]) to the other end of panel [4]. Tighten with a screwdriver. You're done, enjoy!