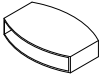
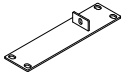







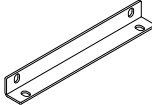


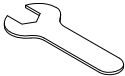


Emmett Bed

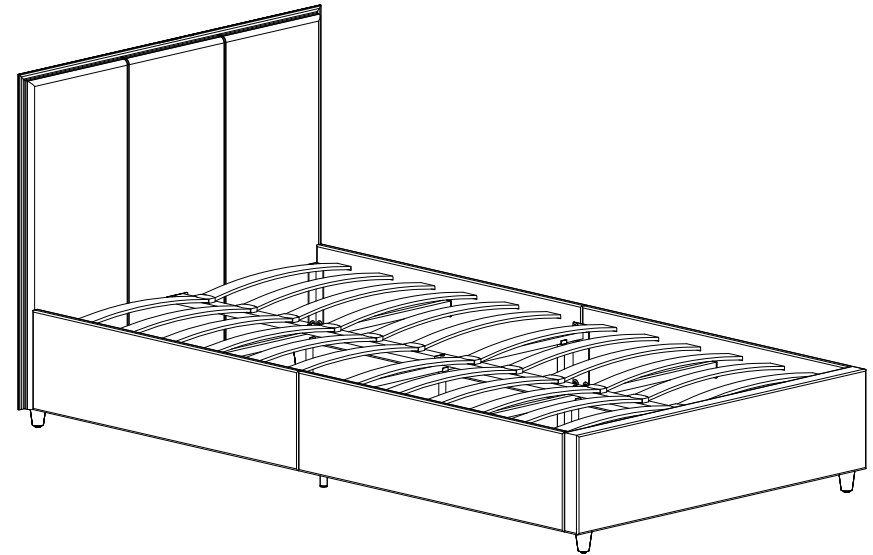
Assembly Instructions

mocka

Thank you for your purchase.
Please follow the instructions below for correct assembly.

A  double cap x12	B  connector x2	C  40mm large bolt x12	D  25mm large bolt x20	E  spring washer x24
F  washer x24	G  nut x2	H  51mm small bolt x3	I  32mm small bolt x4	J  plate x4
K  large allen key x1	L  small allen key x1	M  spanner x1		

Hardware Supplied

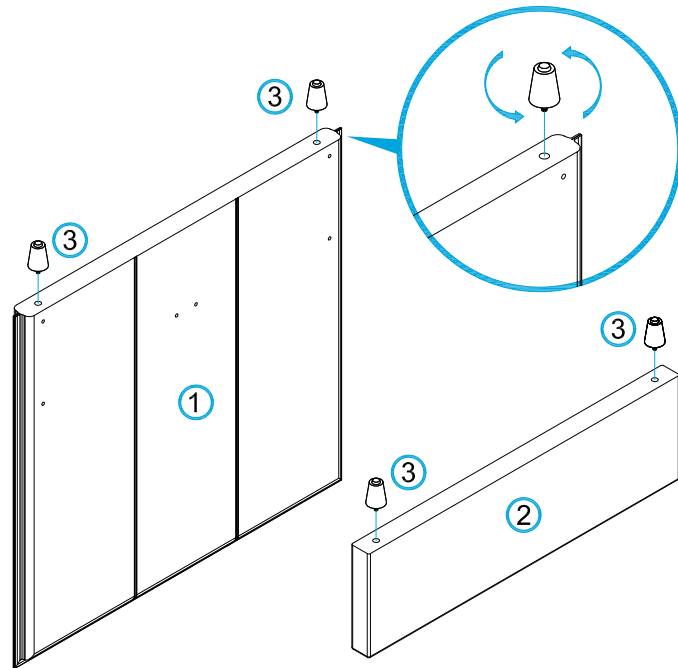


Emmett Bed

Assembly Instructions

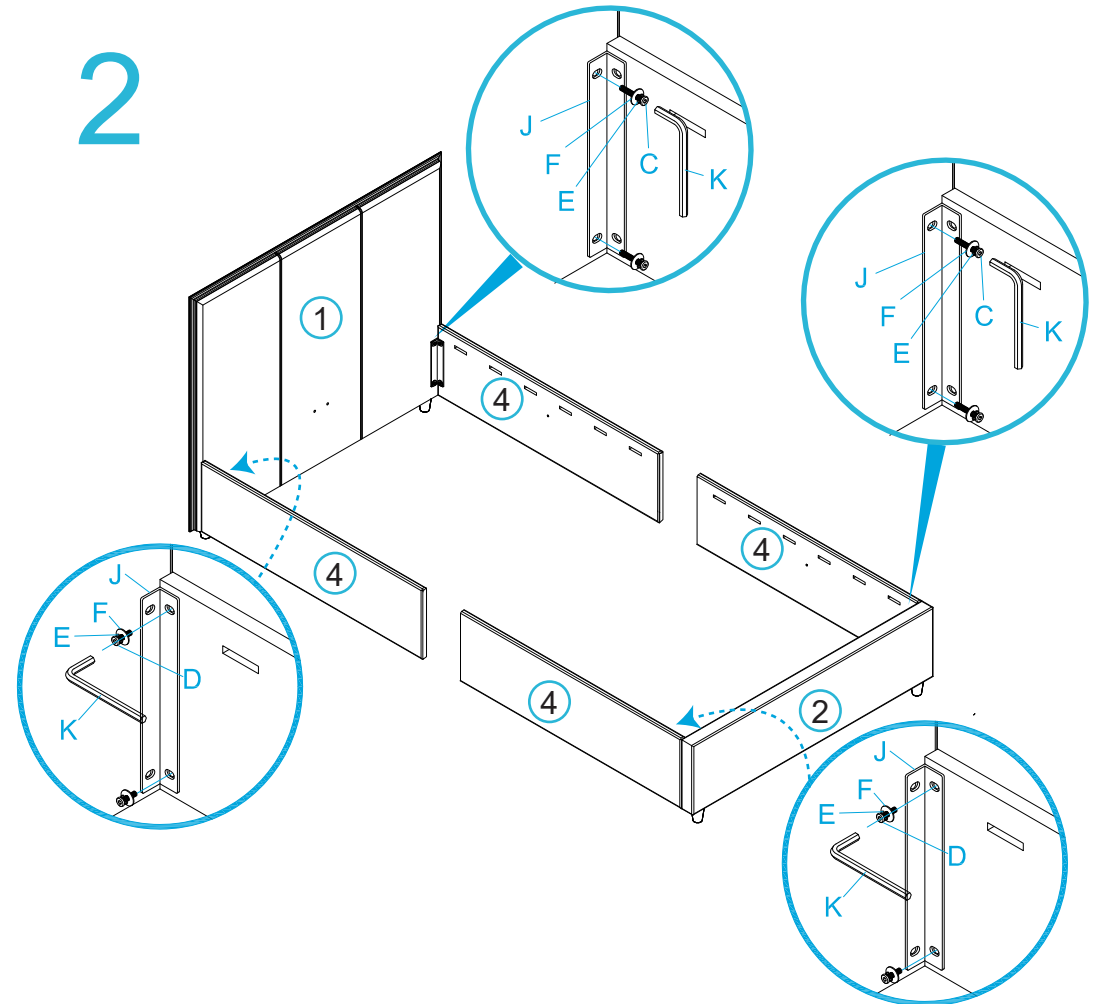
mocka

1



Attach legs 4x (3) to panels (1) and (2) as shown.

2



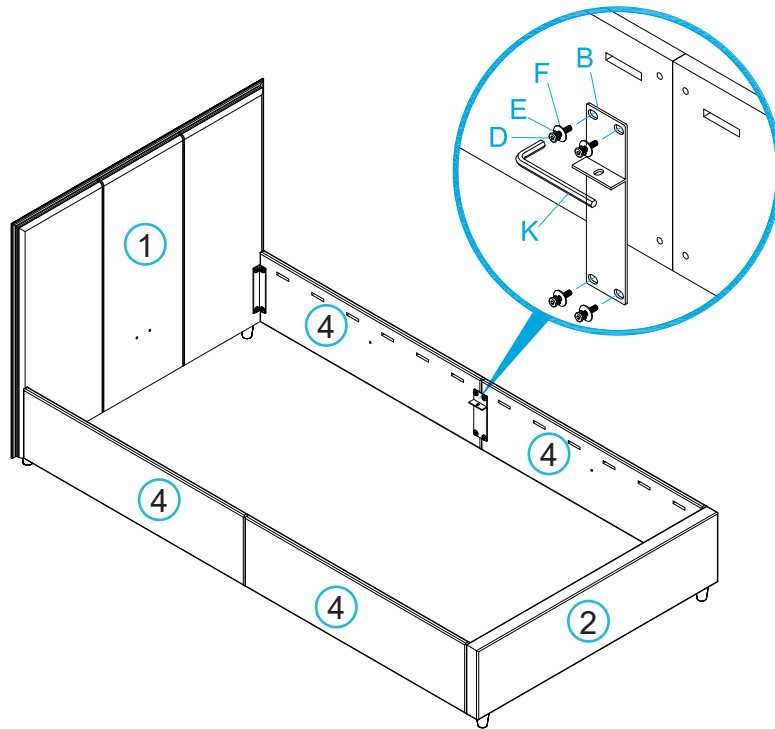
Attach two panels (4) to panel (1) with 2 (J) plates as shown. Repeat this step by attached two panels (4) to panel (2) using the (J) plates.

Emmett Bed

Assembly Instructions

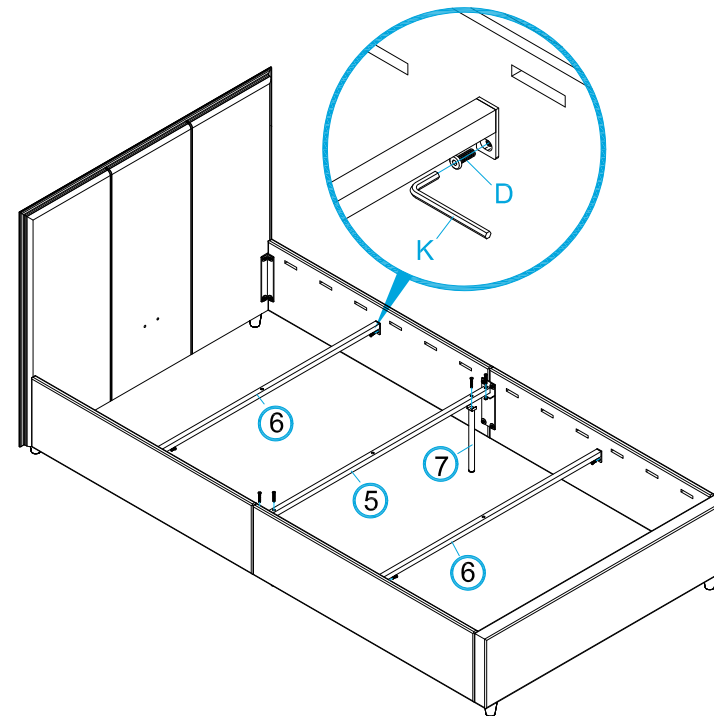
mocka

3



Attach all panels (4) together with 2x connectors (B) as shown.

4



Attach 2x metal bracing (6) to the bed frame with 4x the 25mm bolt (D) and tighten with the large allen key (K) as shown.

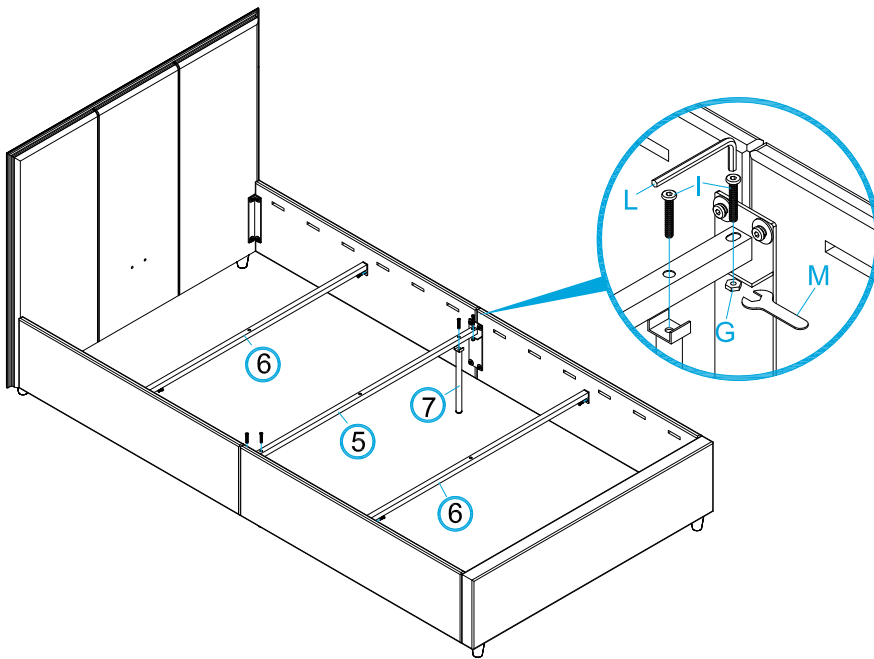
NOTE: only tighten the bolts for the bracing bars and legs (7) halfway to allow for some movement while assembling. Then tighten all bolts at then end.

Emmett Bed

Assembly Instructions

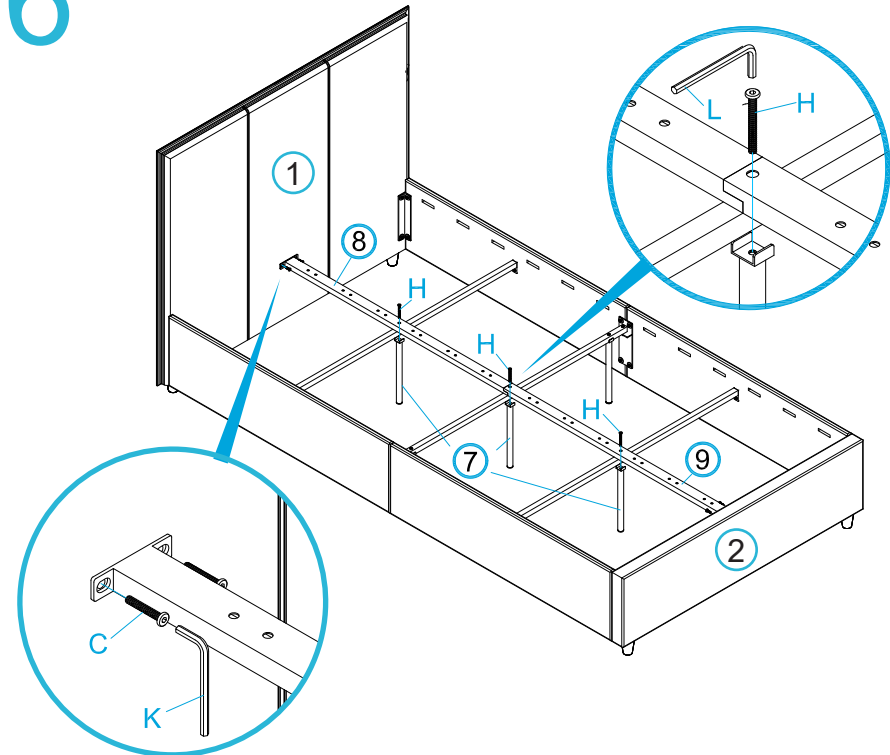
mocka

5



Attach 1 x centre bracing bar (5) to the connectors. Attach 2x support legs 2 x (7) to this bar as shown.

6



Lay the 2 x bracing bars (8) and (9) across the frame as shown. Attach to panels (1) and (2) with bolts (C), tighten with allen key (K). Connect the 2 x bars (8) and (9) and the support leg (7) together in the centre and secure with bolt (H) as shown. Attach the other 2 x legs (H) to frame as shown.

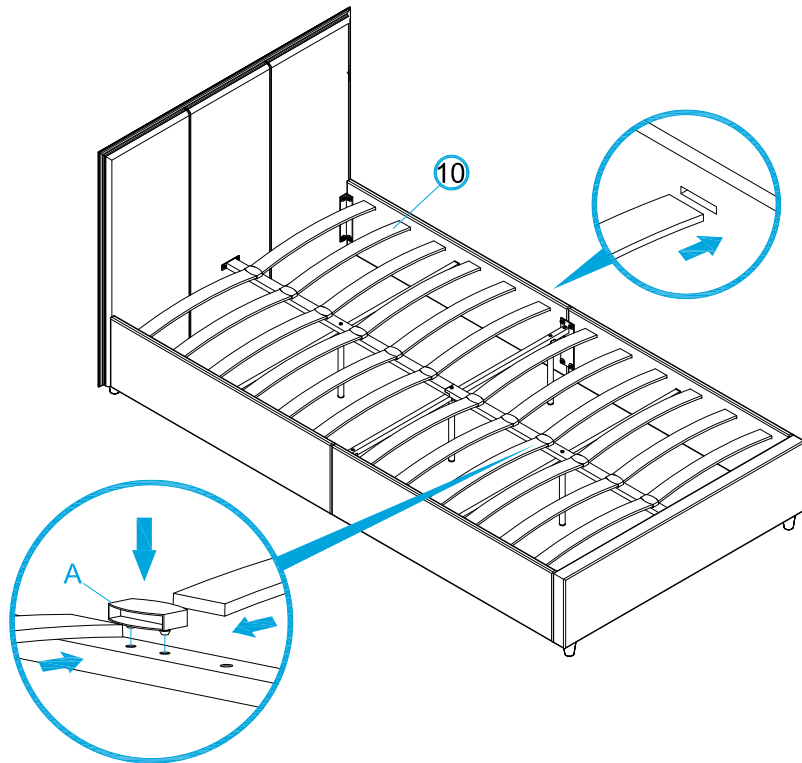
NOTE: only tighten the bolts for the bracing bars and legs (7) halfway to allow for some movement while assembling. Then tighten all bolts at then end.

Emmett Bed

Assembly Instructions

mocka

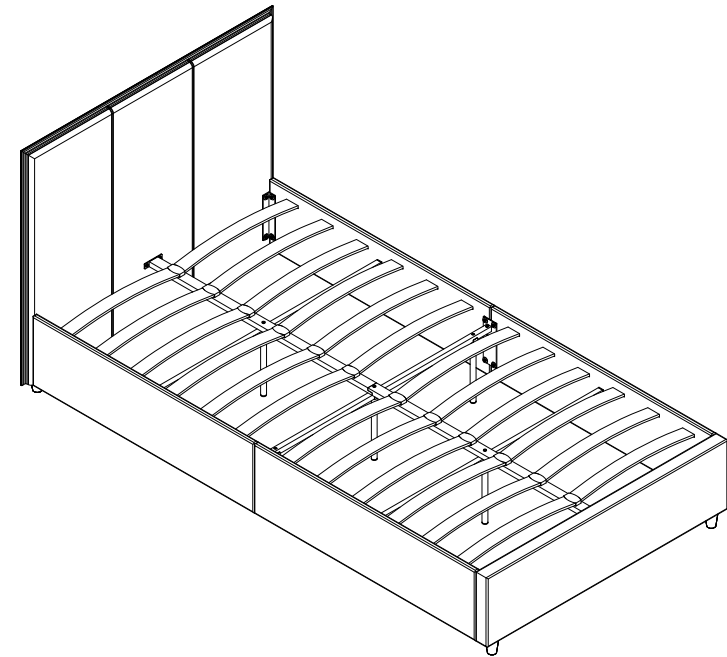
7



Make sure all of the bolts have now been tightened up for all the legs and bracing bars.

Insert wooden slats (10) into the sides one on each side and join them in the middle by sliding into the double cap (A) then push down to click into place. Repeat this from top of bed to the base.

8



Lift bed into position without dragging. You're done, enjoy!