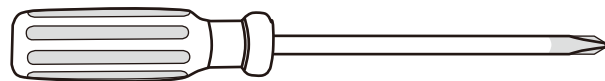
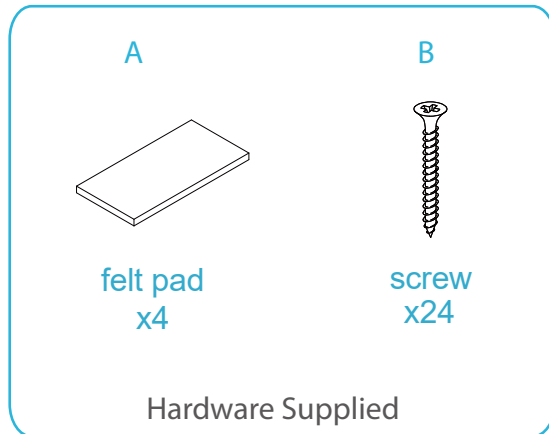


# Ellwood Coffee Table

## Assembly Instructions

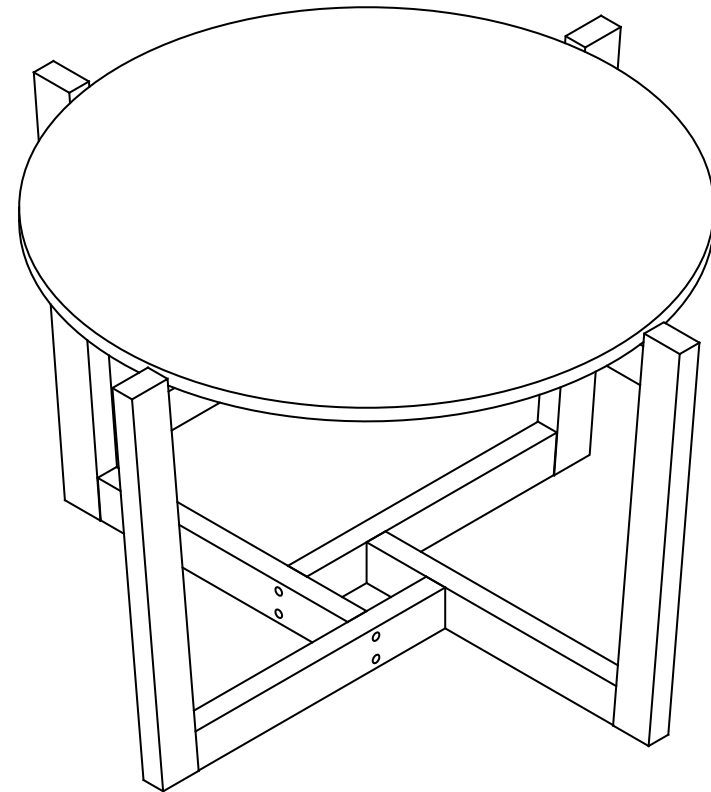
Thank you for your purchase.  
Please follow the instructions below for correct assembly.



Phillips screwdrivers

For quicker assembly, we recommend the use of a power drill on a low-speed setting.

# mocka

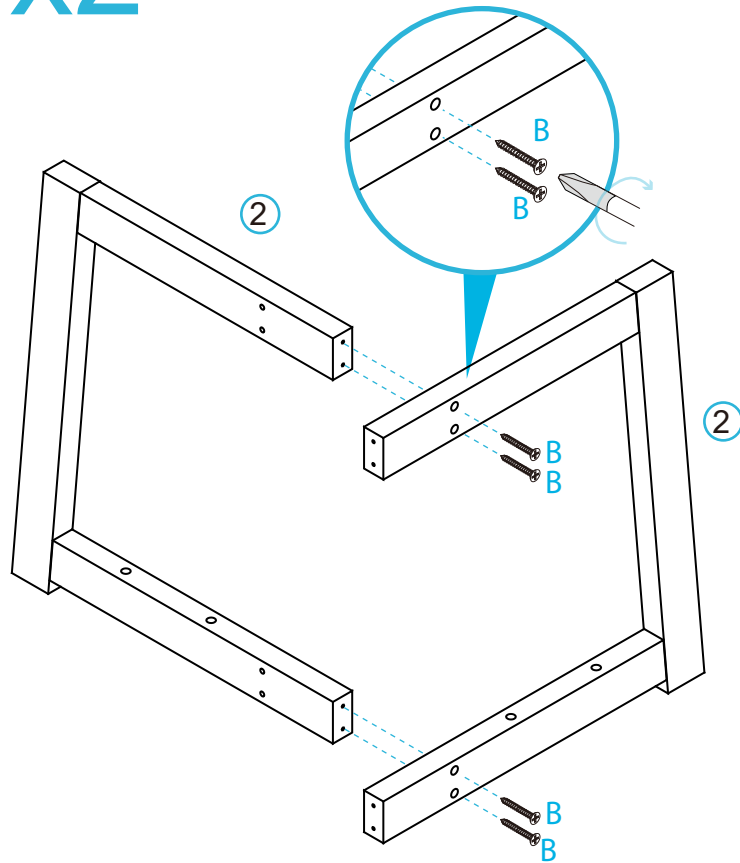


# Ellwood Coffee Table

## Assembly Instructions

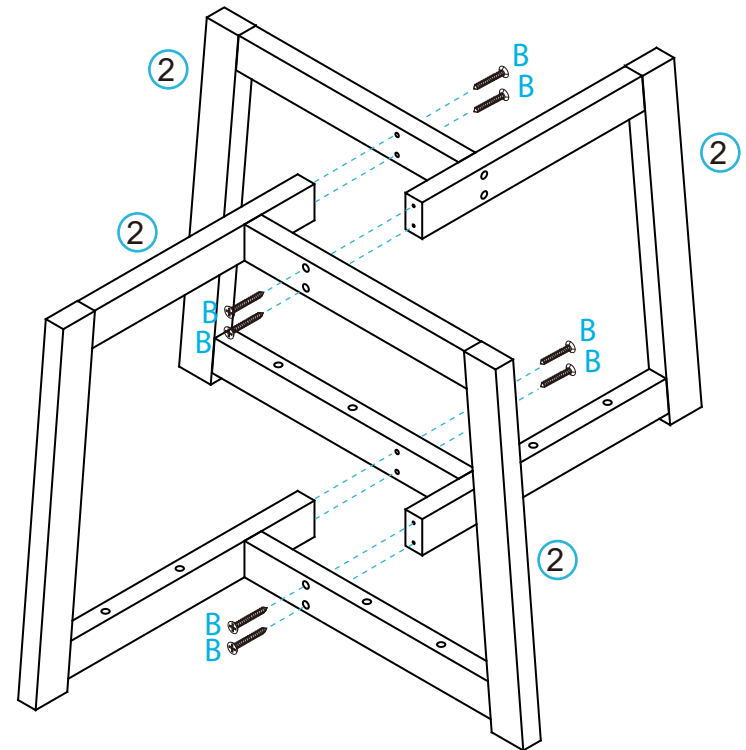
# mocka

# 1x2



Attach 2x panels [2] together as shown and secure with 4x screws (B).  
Tighten with a screwdriver.

# 2



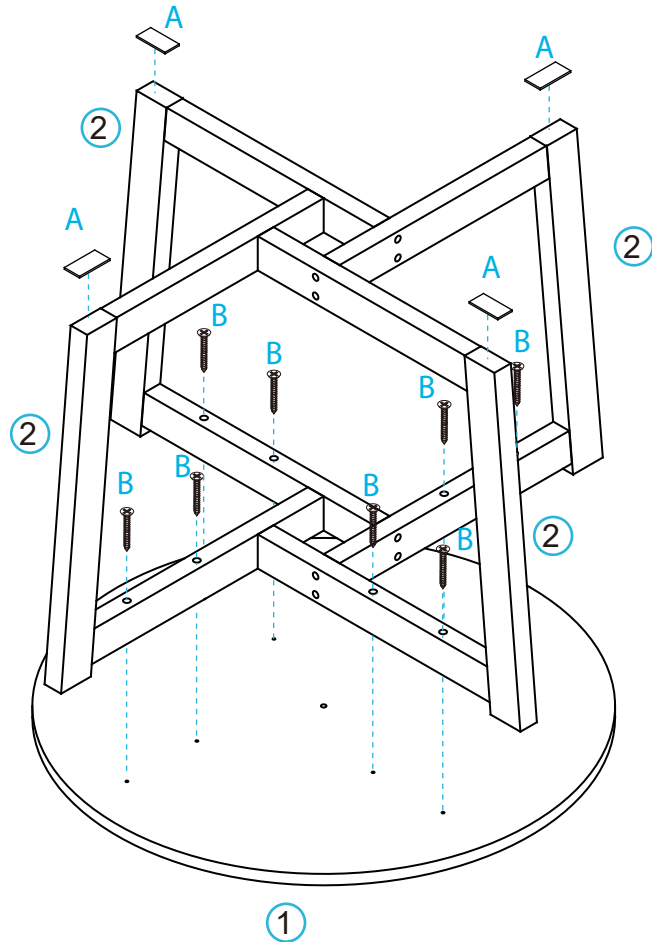
Attach all panels [2] together as shown and secure with 8x screws (B).  
Tighten with a screwdriver.

# Ellwood Coffee Table

## Assembly Instructions

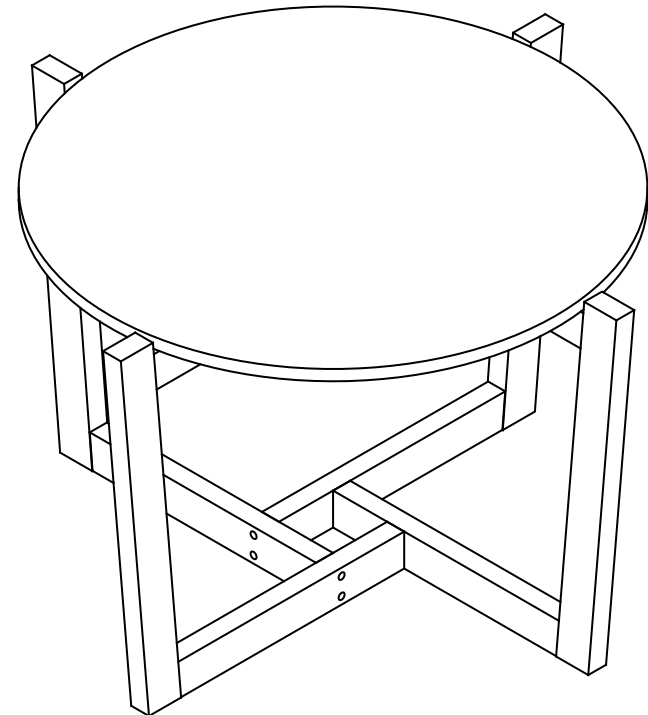
mocka

3



Attach panels [2] to panel [1] and secure with 8x screws (B). Tighten with a screwdriver. A small amount of pressure is required as there are no predrilled holes. Attach 4x felt pads (A) to the bottom of panels [2] as shown.

4



Lift the table into place, do not drag. You're done, enjoy!