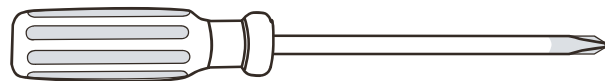
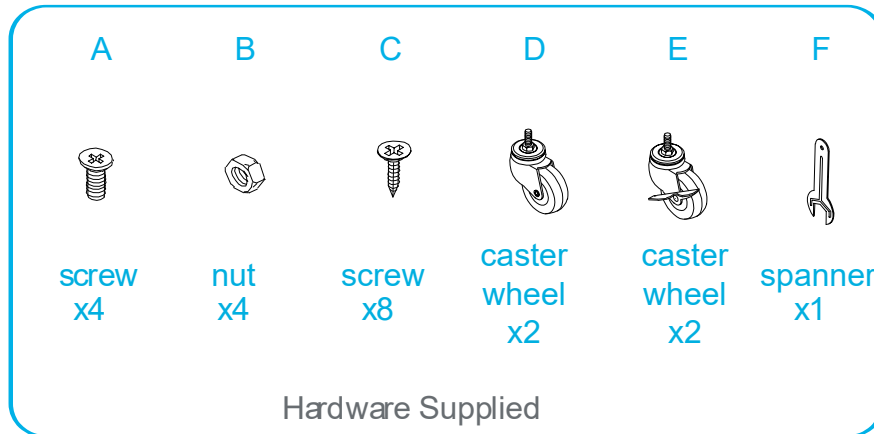


Detroit Trolley Side Table

Assembly Instructions

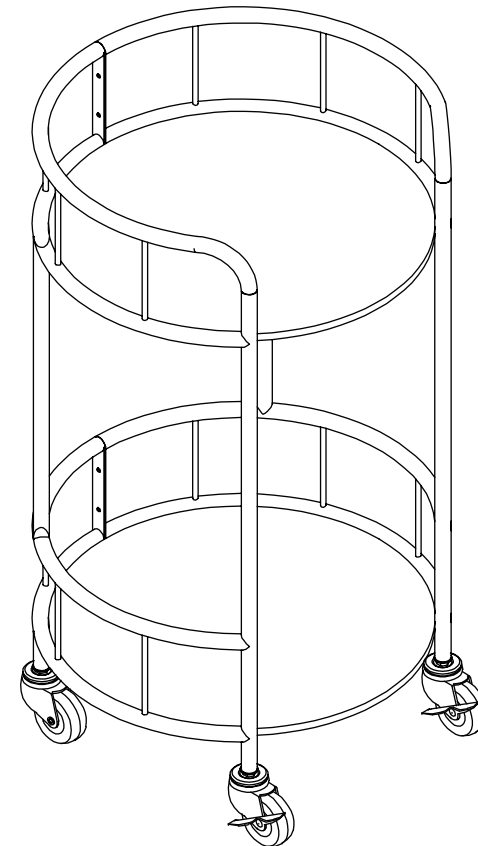
Thank you for your purchase.
Please follow the instructions below for correct assembly.



Phillips screwdrivers

For quicker assembly, we recommend the use of a power drill on a low-speed setting.

mocka



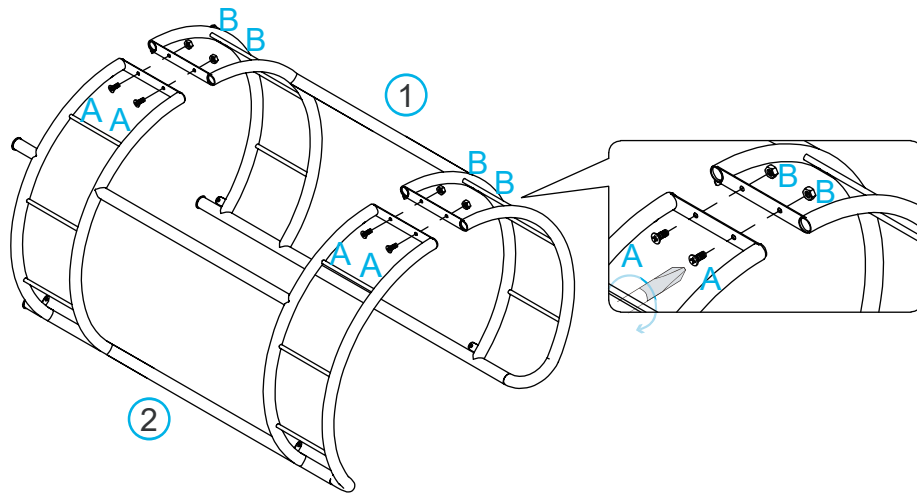
Maximum weight 5kgs

Detroit Trolley Side Table

Assembly Instructions

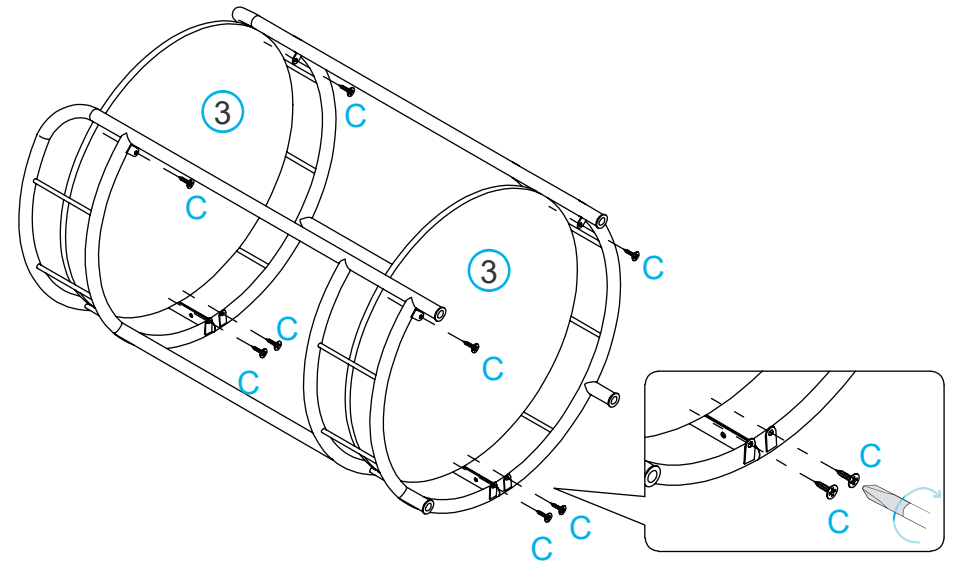
mocka

1



Attach panel [1] to panel [2] and secure with 4 x screws (A) and 4 x nuts (B). Tighten with a screwdriver.

2



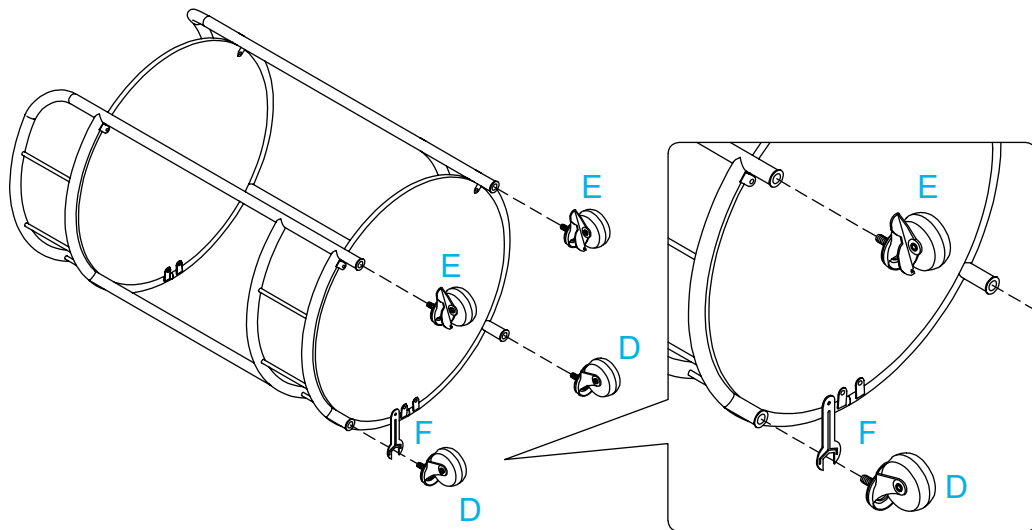
Attach 2 x panel [3] to metal frame and secure with 8 x screws (C) as shown. Tighten with a screwdriver,

Detroit Trolley Side Table

Assembly Instructions

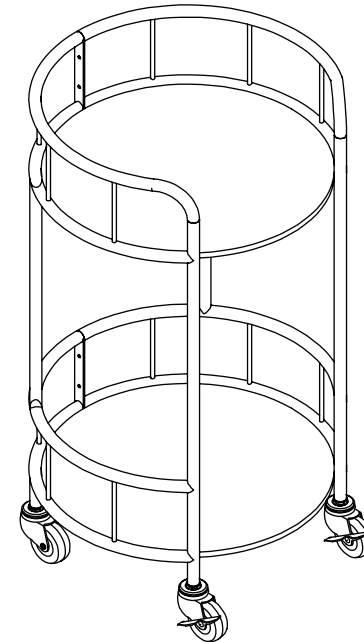
mocka

3



Attach 2 x caster wheels (E) to the front and 2 x caster wheels (D) to the back as shown. Tighten with a spanner (F).

4



Place the trolley into position. You're done, enjoy!