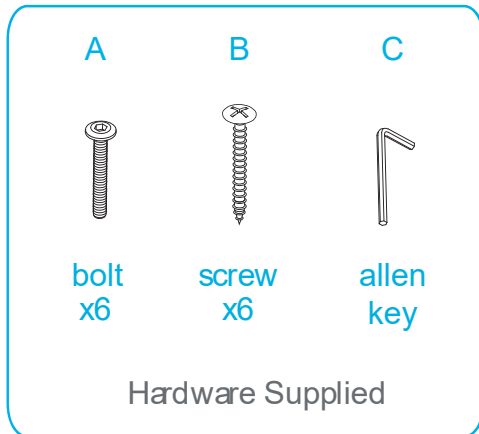


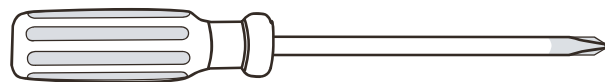
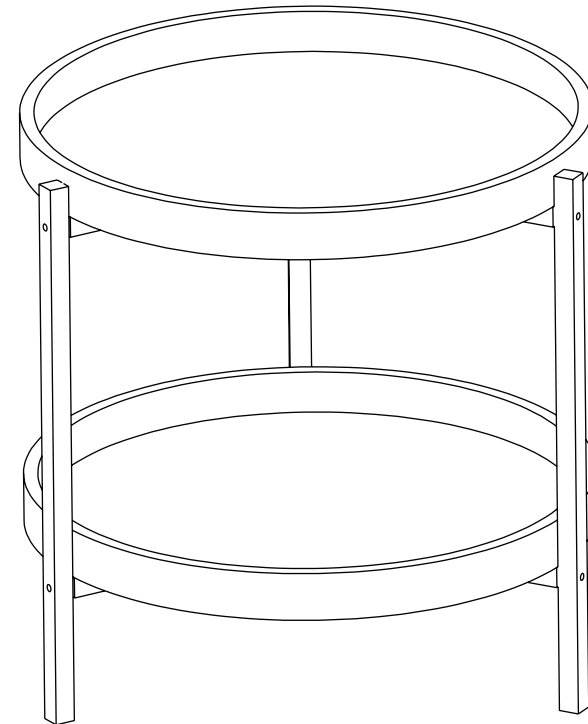
Detroit Tray Side Table

Assembly Instructions

Thank you for your purchase.
Please follow the instructions below for correct assembly.



mocka



Phillips screwdrivers

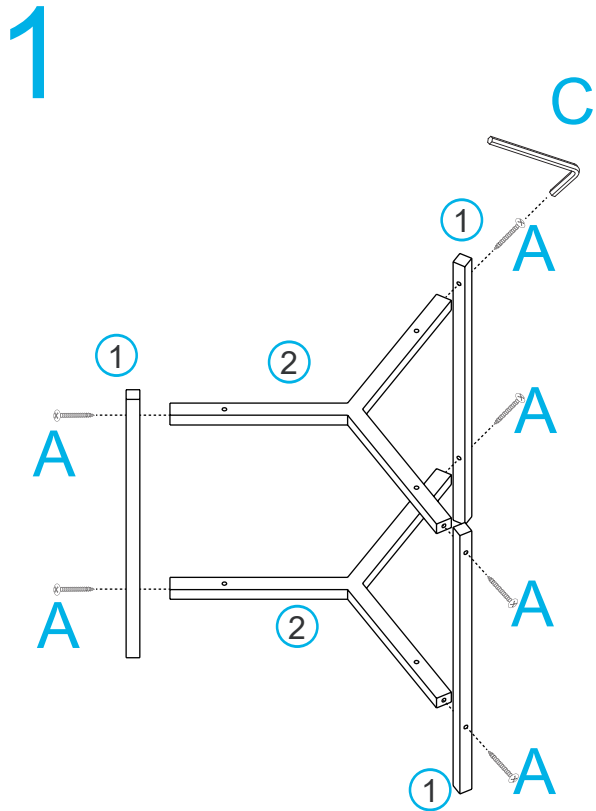
For quicker assembly, we recommend the use of a power drill on a low-speed setting.

Maximum weight 5kgs

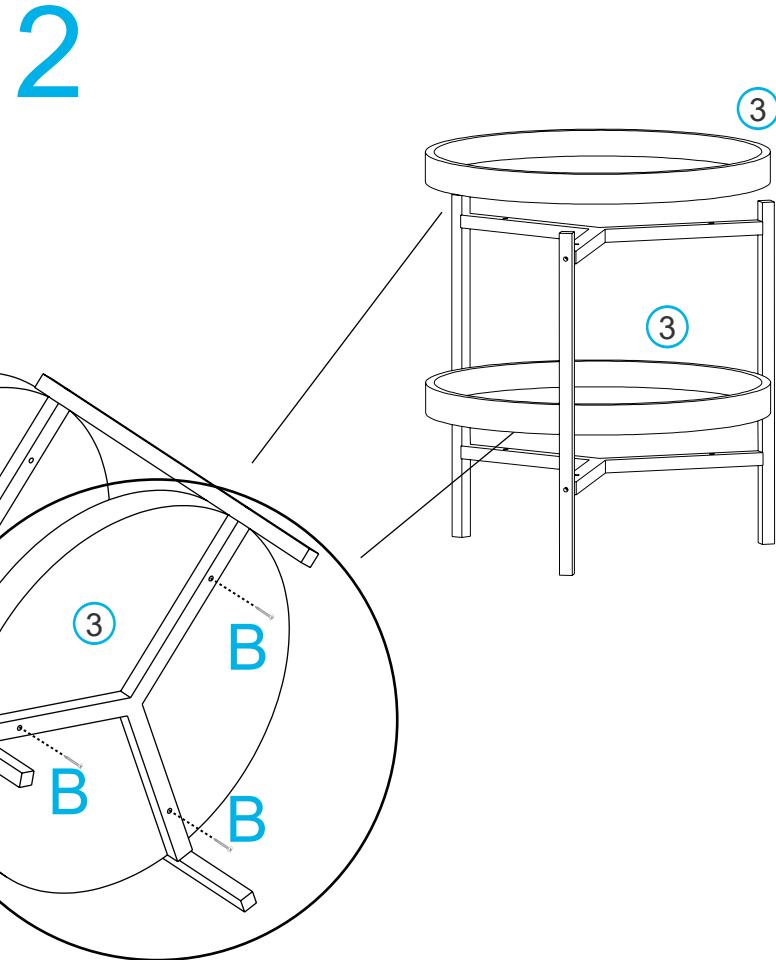
Detroit Tray Side Table

Assembly Instructions

mocka



Attach panels [1] to panels [2]. Secure with 6 x bolts (A) as shown. Tighten with allen key (C).



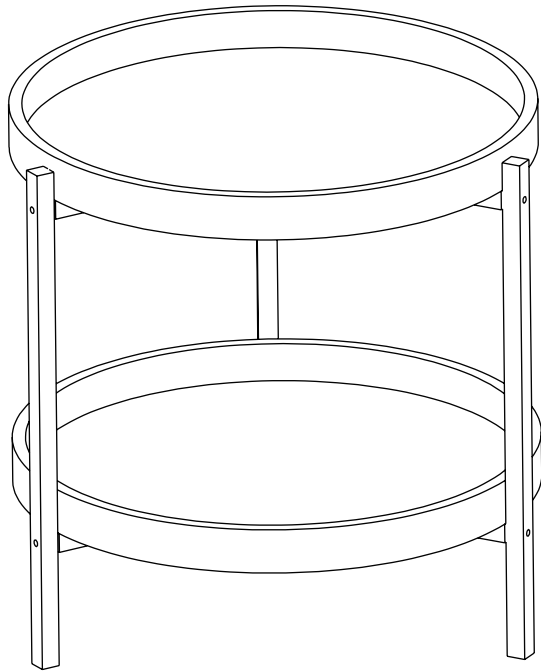
Attach 2 x tray panels [3] to the frame. Secure with 6 x screws (B) for top and bottom tray. Tighten with screwdriver.

Detroit Tray Side Table

Assembly Instructions

mocka

3



You're done, enjoy!