

Designer Highchair

Assembly Instructions

Thank you for your purchase.
Please follow the instructions below for correct assembly.

IMPORTANT! KEEP FOR FUTURE REFERENCE:

WARNING: Never leave your child unattended in the highchair. Strict adult supervision is required at all times.

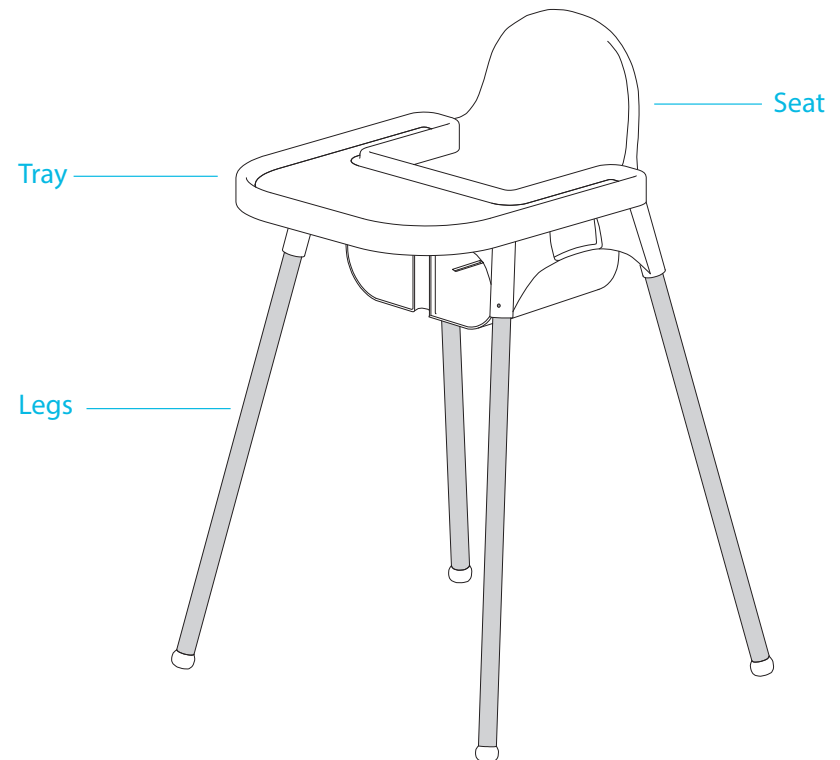
WARNING: Ensure the safety strap is in use at all times to avoid the child slipping downwards and causing injury. We recommend the use of the shoulder and waist harness for added safety and to avoid injury caused by falls – this is available on our website.

WARNING: Do not use the highchair unless components are correctly fitted and adjusted.

WARNING: Ensure the highchair is positioned away from objects or structures that can cause injury. Be aware of the risk of open fire and other sources of strong heat, such as electric bar fires, gas fires etc, in the vicinity of the highchair.

The highchair should not be used until the child can sit up unaided. Do not use the highchair if any part is broken, torn or missing.

mocka



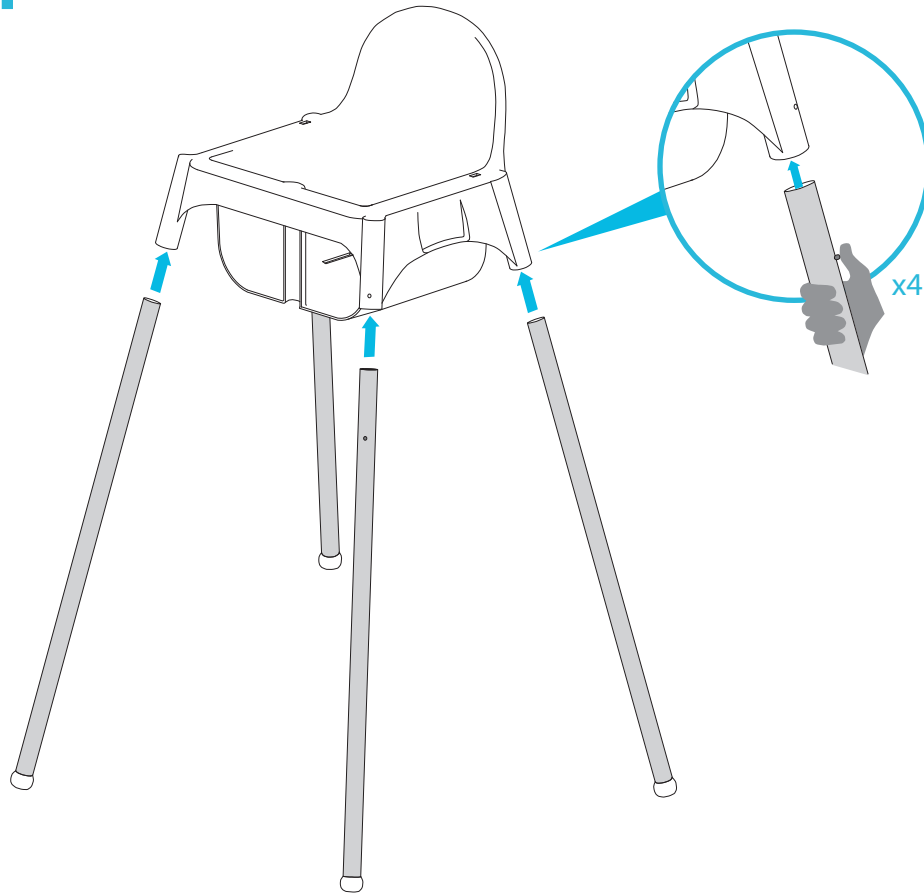
Please note: the highchair has a one year warranty. This warranty does NOT cover the clips/prongs on the tray. Care must be taken when inserting/removing the tray to avoid damage.

Designer Highchair

Assembly Instructions

mocka

1



Slot all four legs into the corners of the highchair seat. Press in spring button in the top of each leg and ensure it clicks into place in the hole in the seat.

2



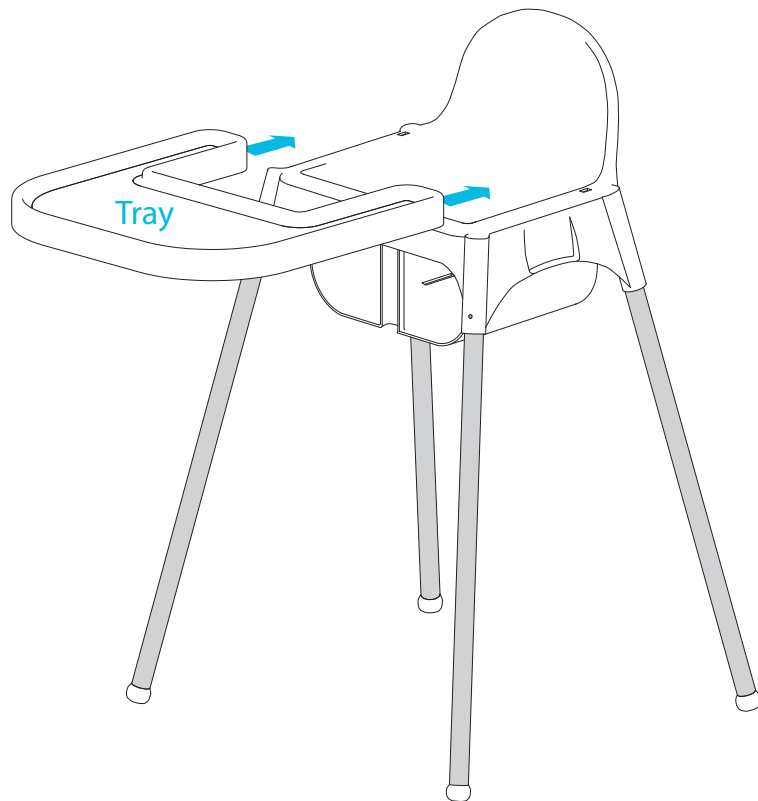
Check all legs are attached and locked in place in the seat.

Designer Highchair

Assembly Instructions

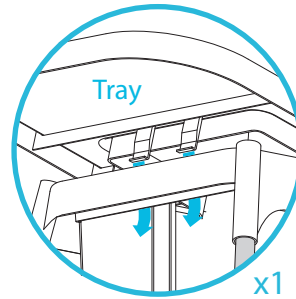
mocka

3



Attach the tray to the highchair seat by first sliding in corner prongs before pressing down on tray to clip in place. Take care when inserting/removing the tray to avoid damage.

4



Please make sure that the prongs on the tray are inserted into the chair first (in the small holes located on the side of the highchair), then push the tray down to align with the chair. This will fix the tray into place. To remove, simply reverse the instructions, ie carefully lift the front of the tray, then remove.



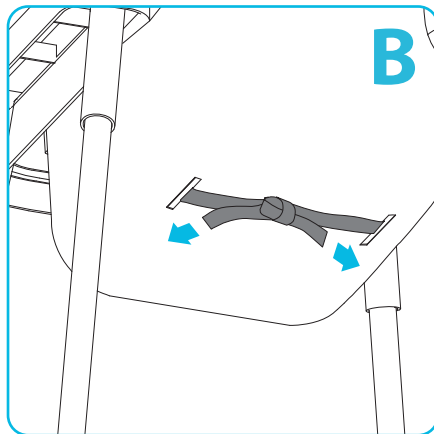
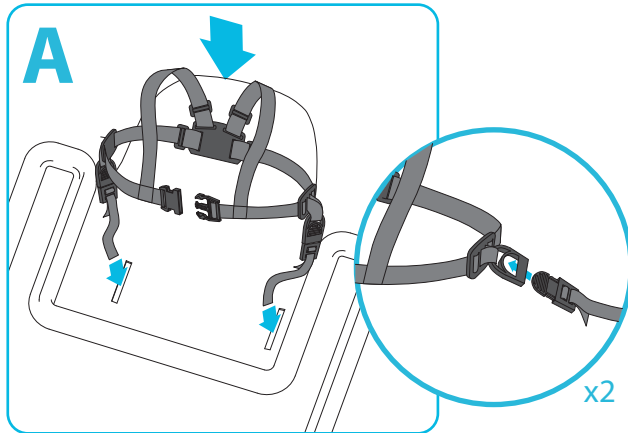
All done! Regularly check the lap strap to ensure it is always secure and tight around your child's stomach. Always ensure there is adult supervision at all times. Enjoy!

Designer Highchair

Assembly Instructions

mocka

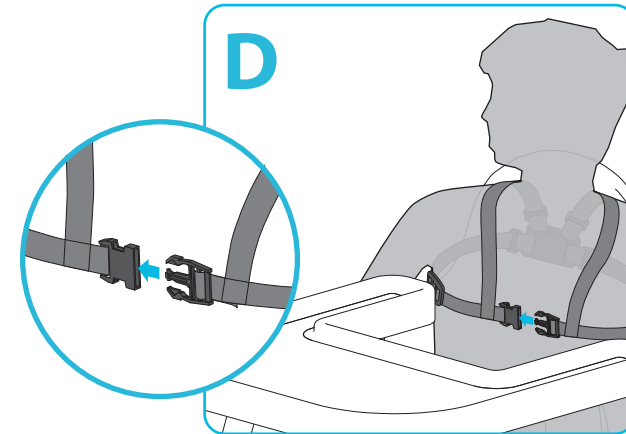
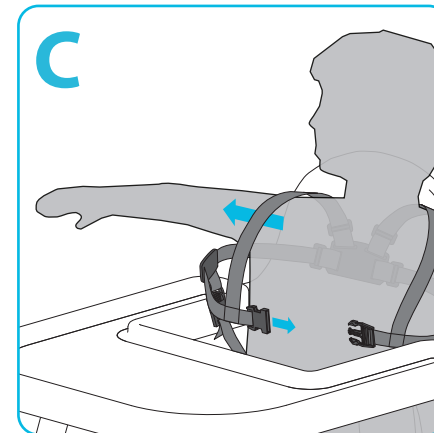
5 Harness



A. Attach the anchor straps to the harness. Place the complete harness inside the seat of the highchair and push the two ends down through the seat holes.

B. Pull the anchor straps tight underneath and tie a reef knot.

6 Harness



C. Carefully seat child in the highchair and slip arms and shoulders through harness.

D. Clip the front buckles together as shown. Adjust straps to ensure a snug fit around child's shoulders and chest.