
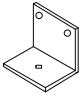
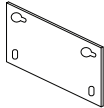




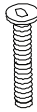

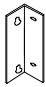




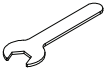


# Darcy Bed

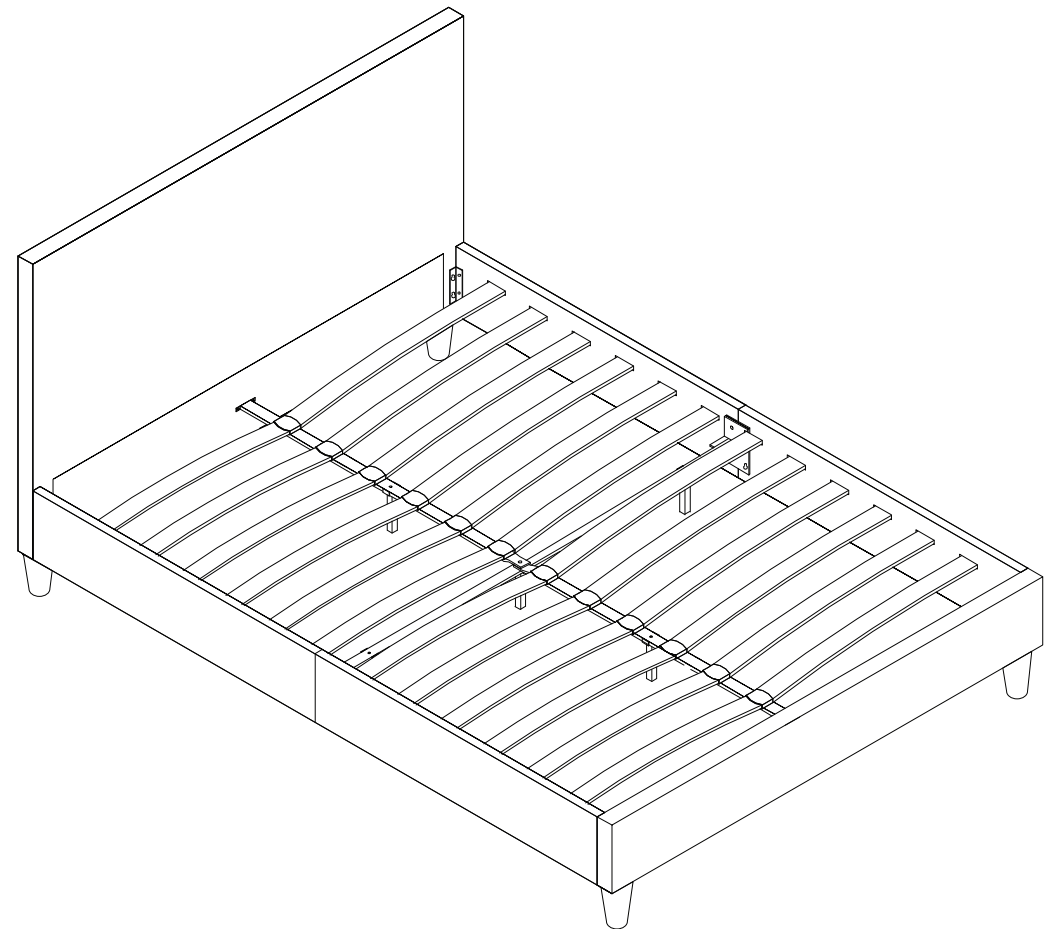
## Assembly Instructions

# mocka

Thank you for your purchase.  
Please follow the instructions below for correct assembly.

A	B	C	D	E
				
double cap x12	connector x2	connector x2	25mm bolt x8	spring washer x8
F	G	H	I	L
				
washer x12	nut x2	35mm bolt x1	25mm bolt x6	left plate x2
R	N	T-2	T-3	T-4
				
right plate x2	20mm bolt x20	allen key x1	allen key x1	spanner x1

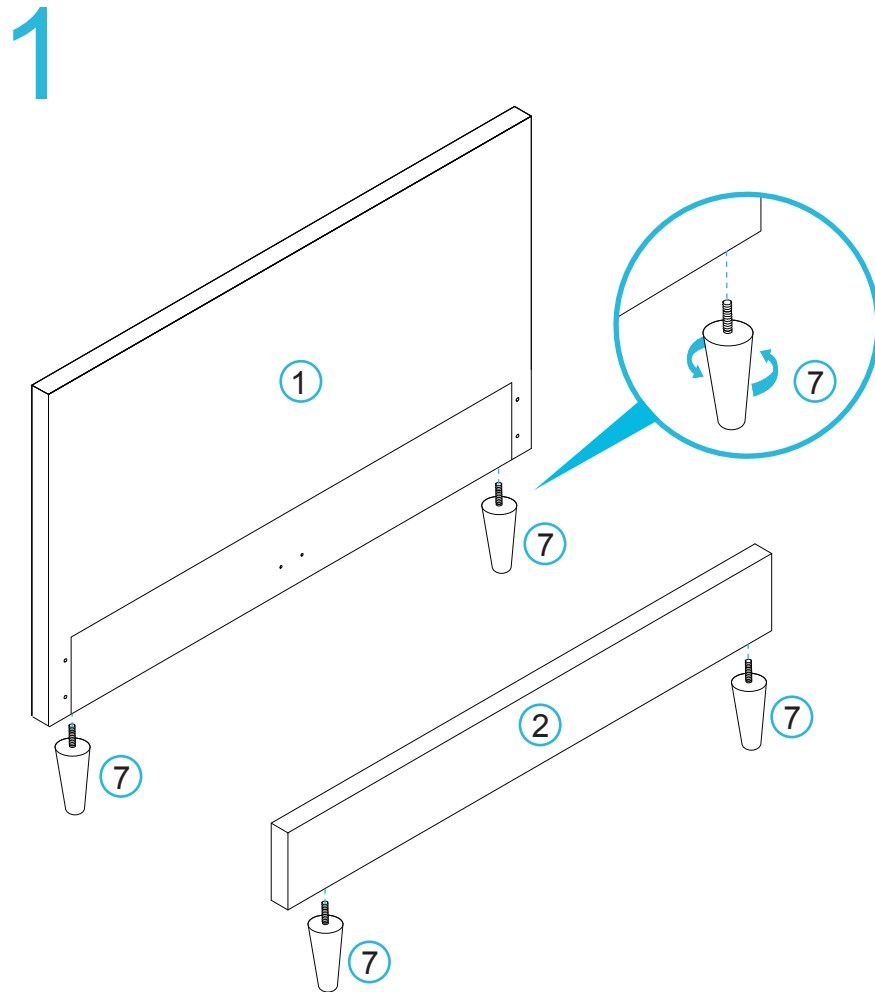
Hardware Supplied



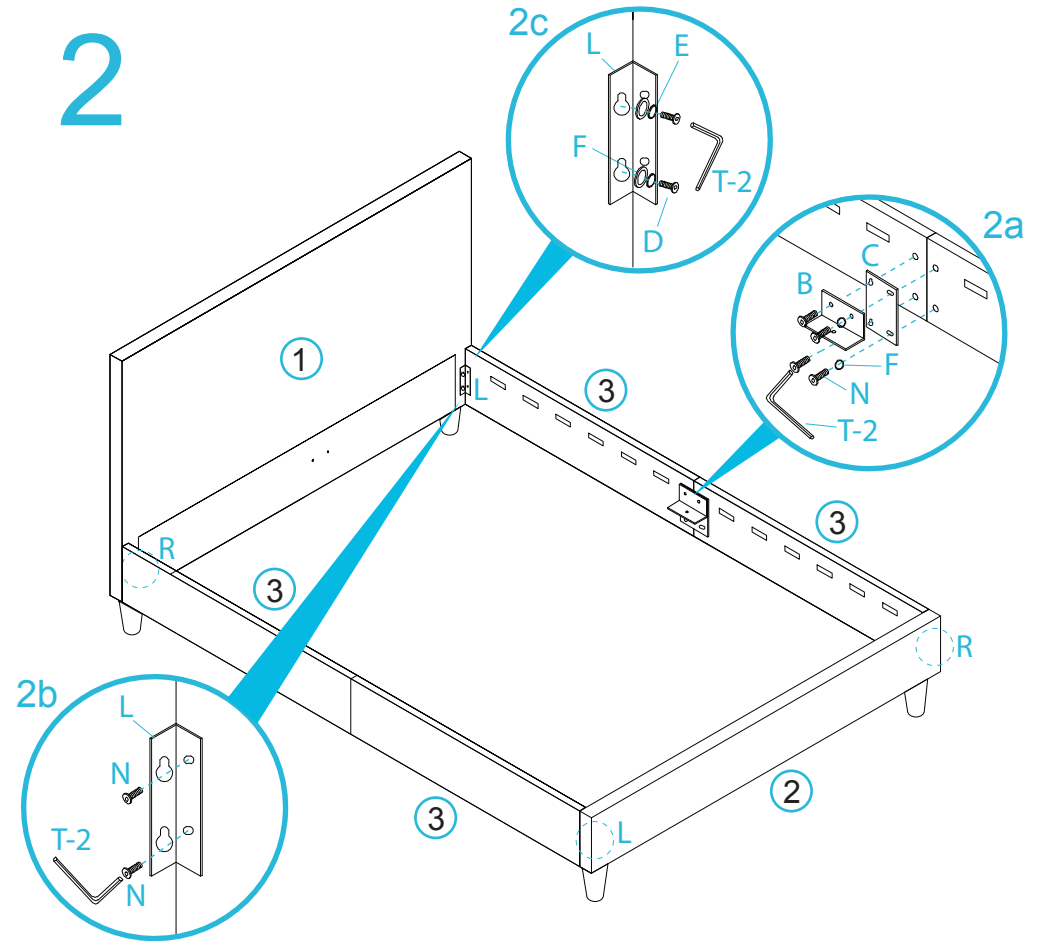
# Darcy Bed

## Assembly Instructions

mocka



Attach the leg panels [7] to the bottoms of panels [1] and [2] as shown.



**2a:** Join panels [3] together as shown using 2x connectors (C) and 2x connectors (B) and secure with 4x washers (F) and 8x 20mm bolts (N). Tighten with the allen key (T-2).

**2b:** Attach panels [3] to panels [1] and [2] using 2x left plates (L) and 2x right plates (R) as shown. Secure with 8x 20mm bolts (N) and the allen key (T-2).

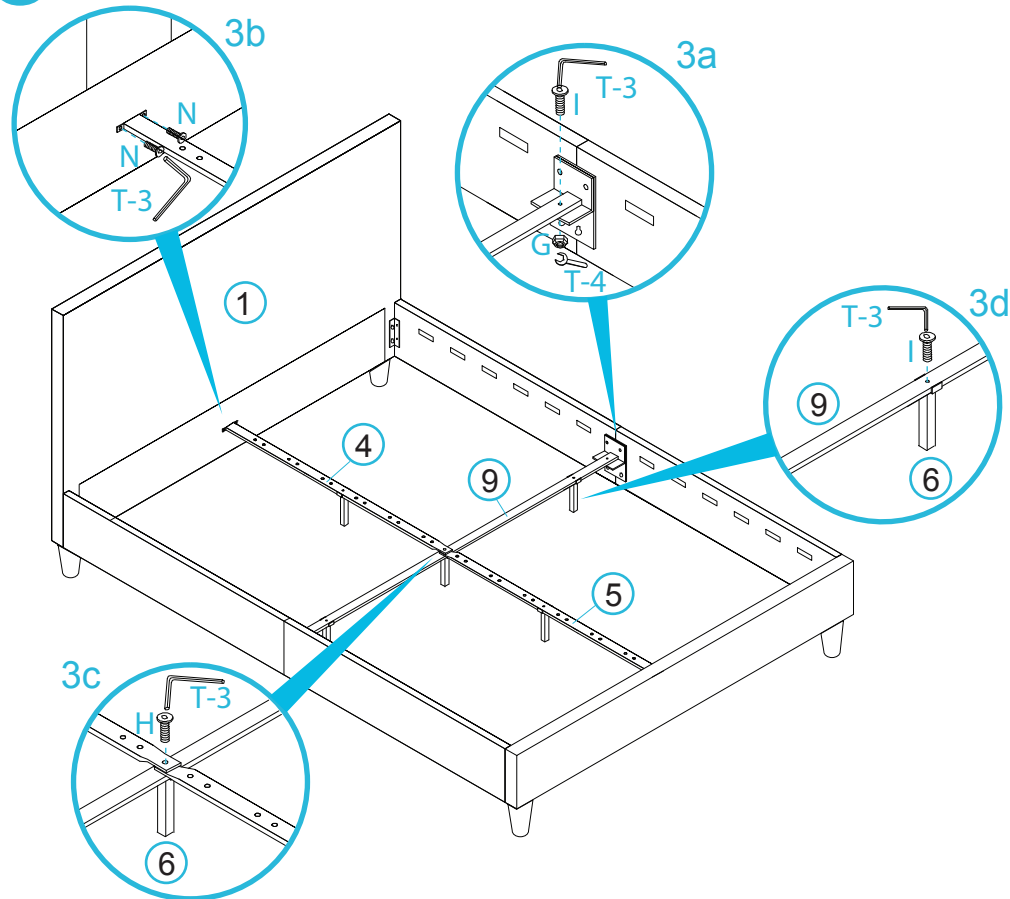
**2c:** Secure the other side of the plates as shown using 8x washers (F), 8x spring washers (E), and 8x 25mm bolts (D). Tighten with the allen key (T-2).

# Darcy Bed

## Assembly Instructions

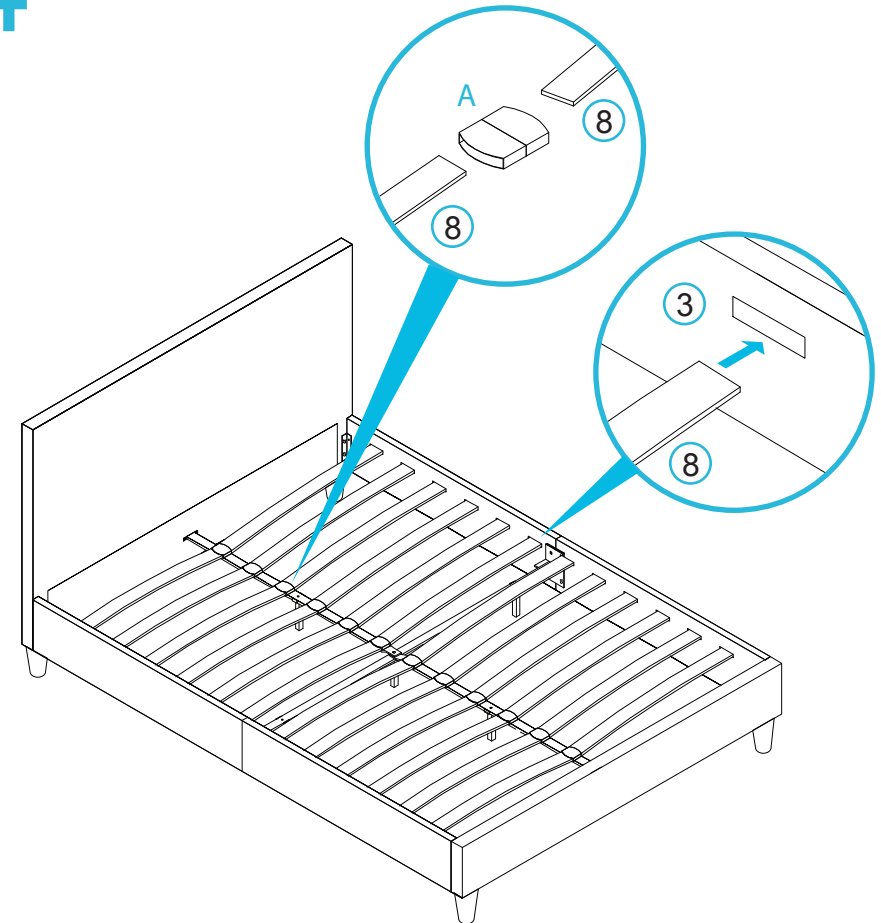
mocka

3



**3a:** Attach panel [9] to connectors (B) using 2x 25mm bolts (I) and 2x nuts (G). Tighten with the allen key (T-3) and spanner (T-4). **3b:** Attach panels [4] and [5] as shown using 4x 20mm bolts (N). **3c:** Secure the centre joint and leg [6] as shown with 1x 35mm bolt (H). **3d:** Attach the other legs [6] as shown using 4x 25mm bolts (I). Tighten with the allen key (T-3).

4



Join each panel [8] to a double cap (A) and attach to panels [4] and [5]. Slot the ends of panels [8] into panels [3] as shown. Carefully lift the bed into the desired position, do not drag. You're done, enjoy!