
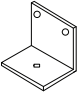
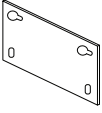




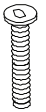



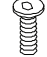

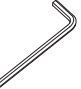



# Dani Bed

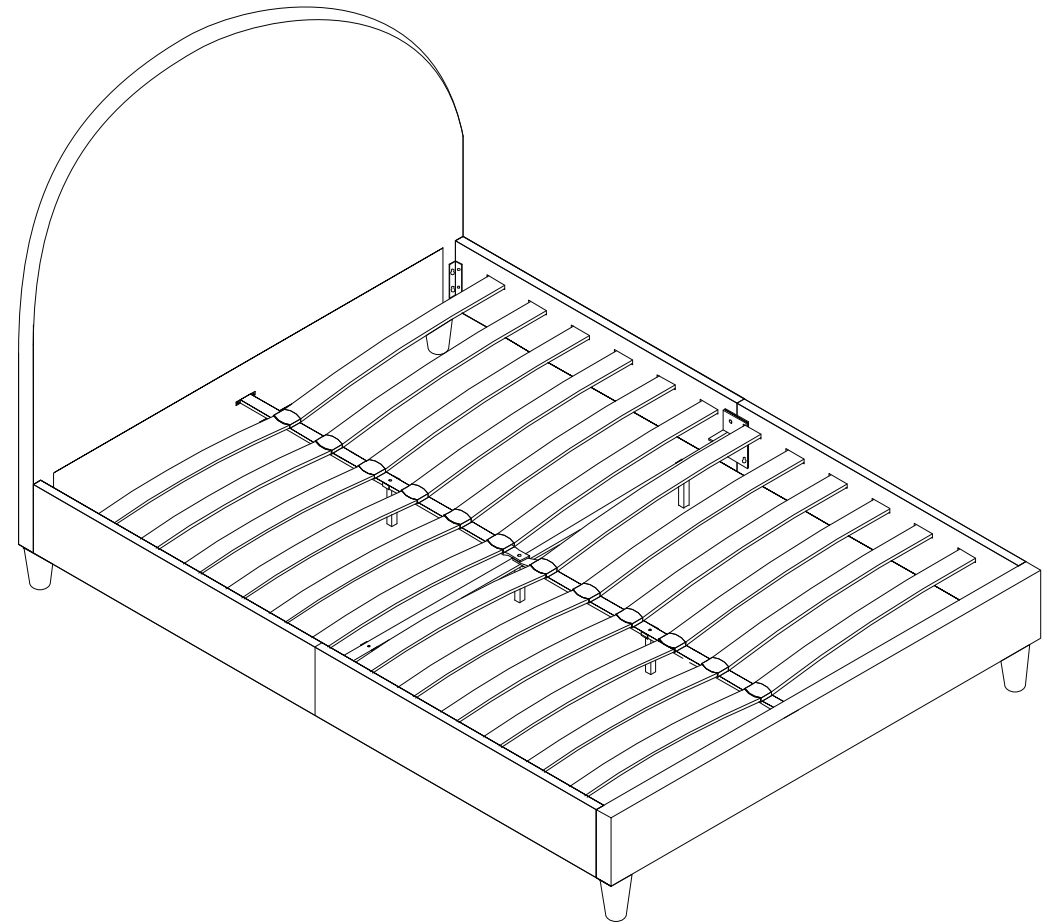
## Assembly Instructions

Thank you for your purchase.  
Please follow the instructions below for correct assembly.

# mocka

<b>A</b>  double cap x12	<b>B</b>  connector x2	<b>C</b>  connector x2	<b>D</b>  25mm bolt x8	<b>E</b>  spring washer x8
<b>F</b>  washer x12	<b>G</b>  nut x2	<b>H</b>  35mm bolt x1	<b>I</b>  25mm bolt x6	<b>L</b>  left plate x2
<b>R</b>  right plate x2	<b>N</b>  20mm bolt x20	<b>T-2</b>  allen key x1	<b>T-3</b>  allen key x1	<b>T-4</b>  spanner x1

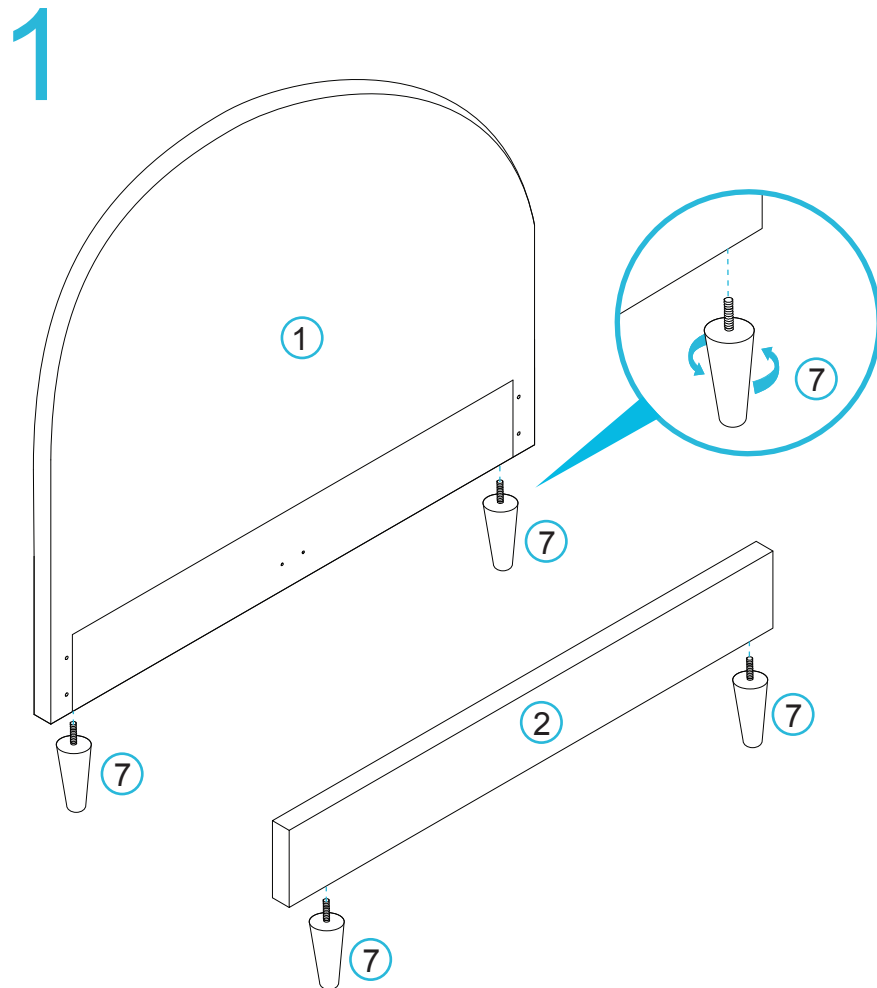
Hardware Supplied



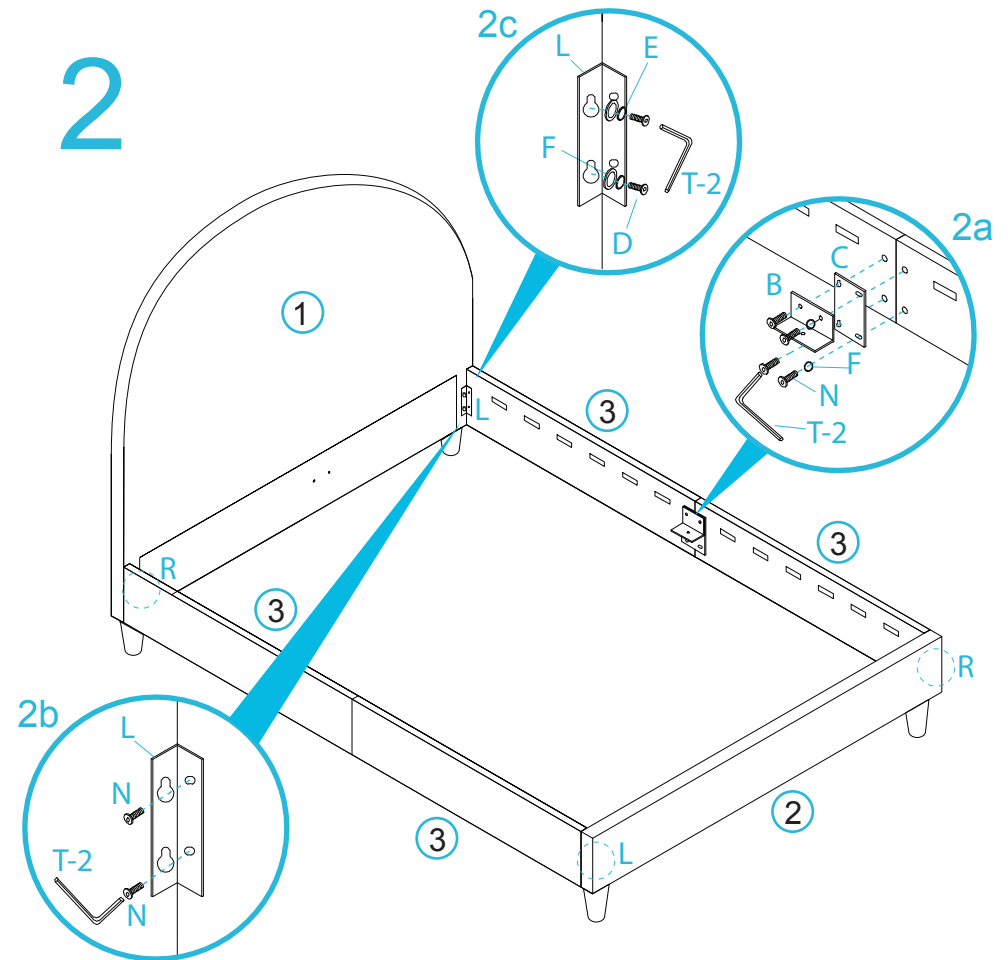
# Dani Bed

## Assembly Instructions

mocka



Attach the leg panels [7] to the bottoms of panels [1] and [2] as shown.



**2a:** Join panels [3] together as shown using 2x connectors (C) and 2x connectors (B) and secure with 4x washers (F) and 8x 20mm bolts (N). Tighten with the allen key (T-2).

**2b:** Attach panels [3] to panels [1] and [2] using 2x left plates (L) and 2x right plates (R) as shown. Secure with 8x 20mm bolts (N) and the allen key (T-2).

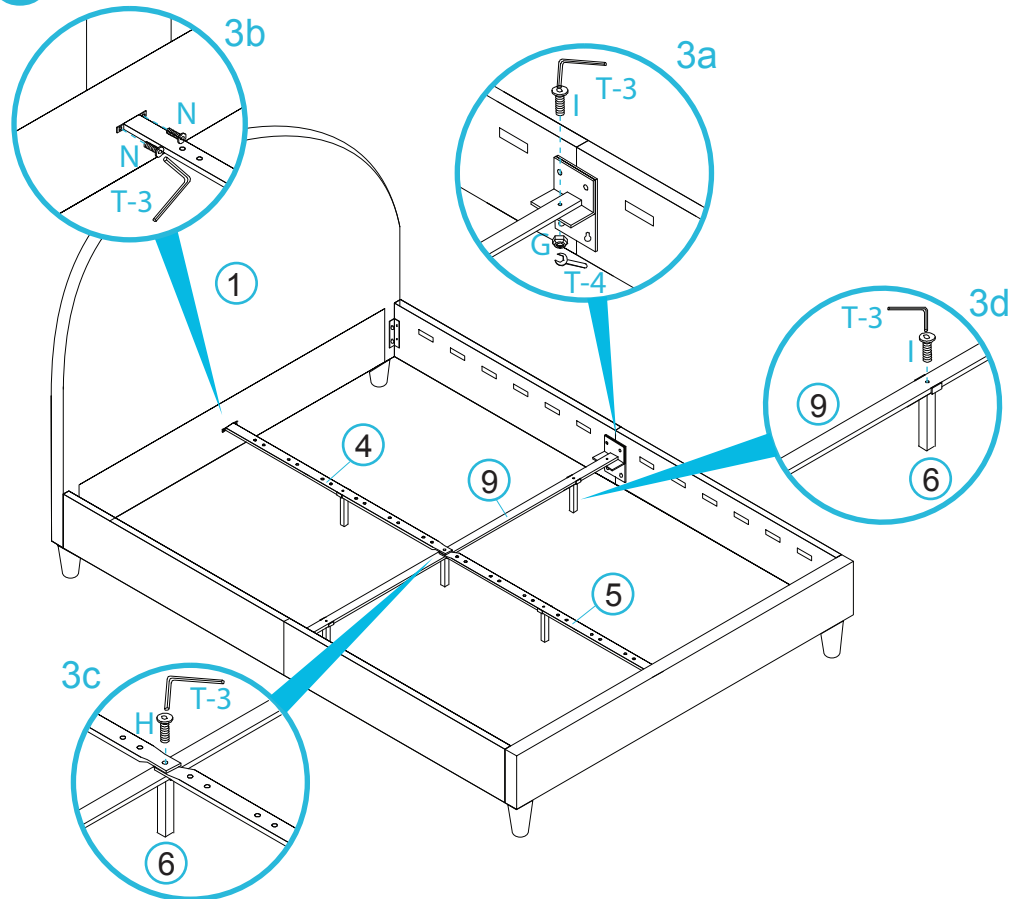
**2c:** Secure the other side of the plates as shown using 8x washers (F), 8x spring washers (E), and 8x 25mm bolts (D). Tighten with the allen key (T-2).

# Dani Bed

## Assembly Instructions

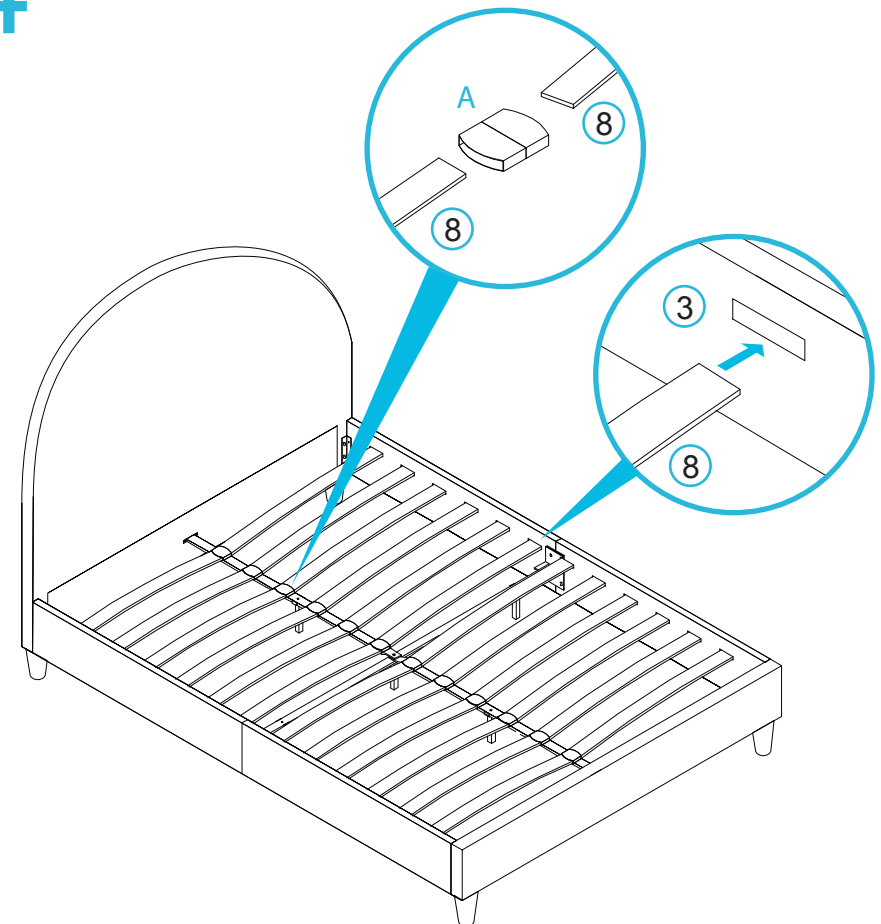
mocka

3



**3a:** Attach panel [9] to connectors (B) using 2x 25mm bolts (I) and 2x nuts (G). Tighten with the allen key (T-3) and spanner (T-4). **3b:** Attach panels [4] and [5] as shown using 4x 20mm bolts (N). **3c:** Secure the centre joint and leg [6] as shown with 1x 35mm bolt (H). **3d:** Attach the other legs [6] as shown using 4x 25mm bolts (I). Tighten with the allen key (T-3).

4



Join each panel [8] to a double cap (A) and attach to panels [4] and [5]. Slot the ends of panels [8] into panels [3] as shown. Carefully lift the bed into the desired position, do not drag. You're done, enjoy!