












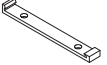
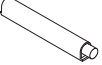


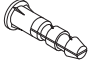
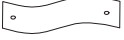


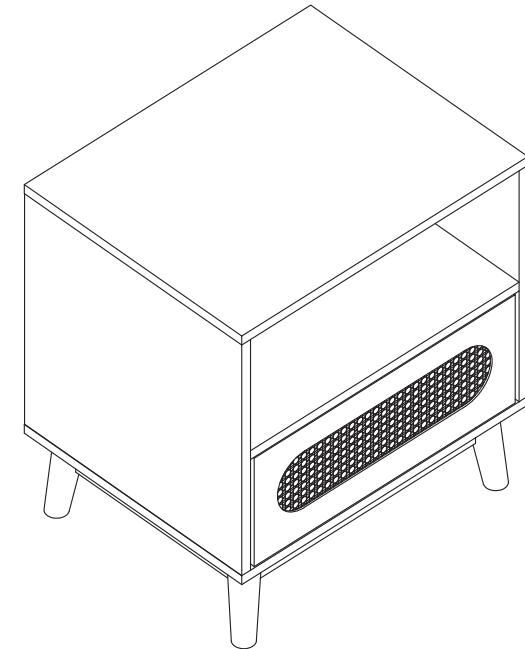
Claremont Bedside Table

Assembly Instructions

Thank you for your purchase.
Please follow the instructions below for correct assembly.

mocka

A  bolt x12	B  nut x12	C  dowel x16	D  3"12 screw x12	E  4"25 screw x16	F  4"30 screw x4
G  4"35 screw x5	H  4"45 screw x8	I  3"14 screw x4	J  wedge x4	K  left rail x1	L  right rail x1
N  6"50 screw x8	O  clip x1	P  spacer x1	W  washer x2	X  4"14 screw x1	Y  wall plug x1
Z  safety strap x1					



WARNING: Any furniture that is not anchored to a wall has the potential to tip over in certain circumstances, ie. if a child attempts to climb on the furniture or in the event of an earthquake. Accordingly, we recommend that all furniture is anchored to a wall. We supply a free safety wall anchor with all furniture sold and we recommend these are used to prevent your product tipping. The fixing device provided should fit most wall types, but please note that different wall materials may require different fixing devices from those supplied.

Hardware Supplied



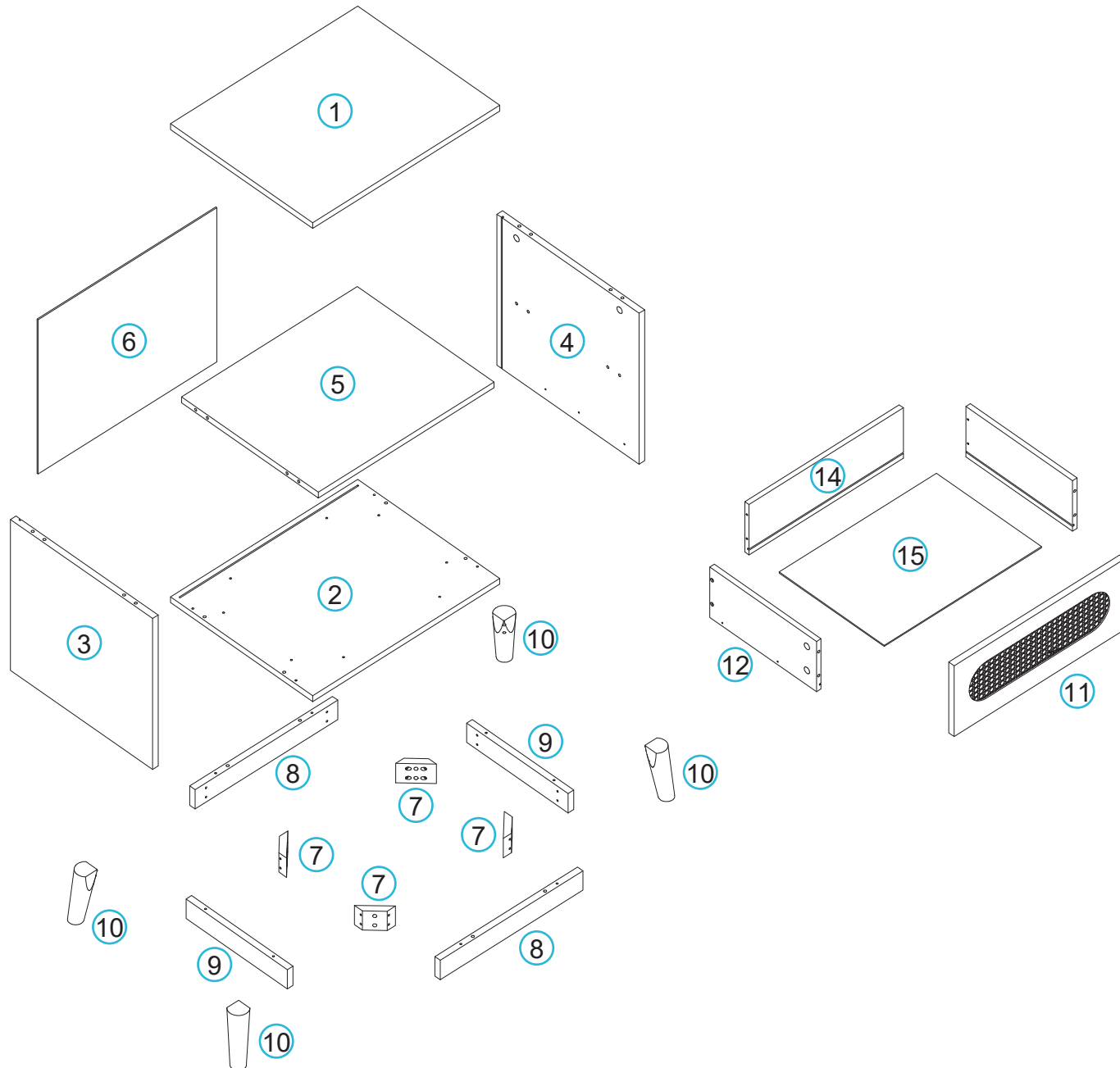
Phillips & Flathead screwdrivers required.

For quicker assembly, we recommend the use of a power drill on a low-speed setting.

Claremont Bedside Table

Assembly Instructions

mocka

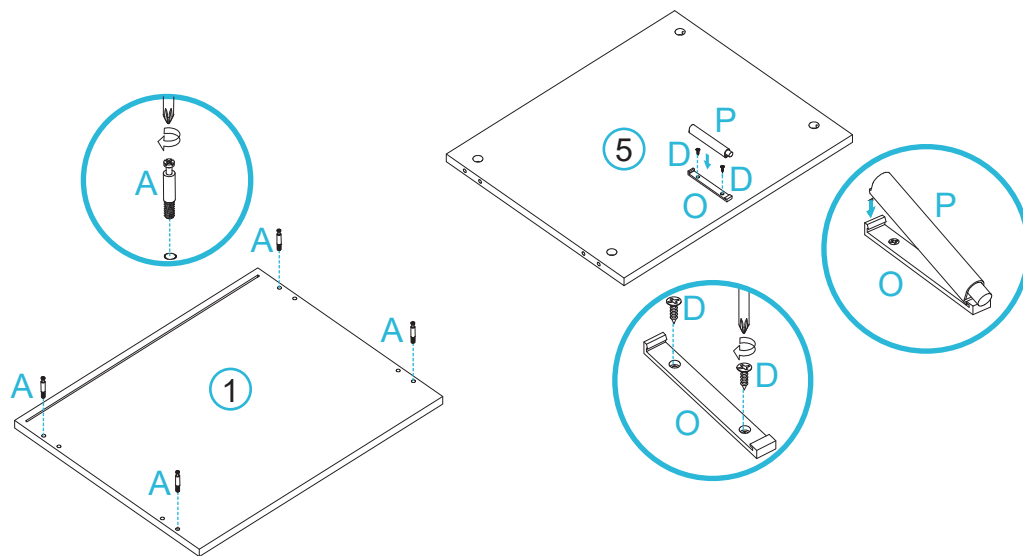


Claremont Bedside Table

Assembly Instructions

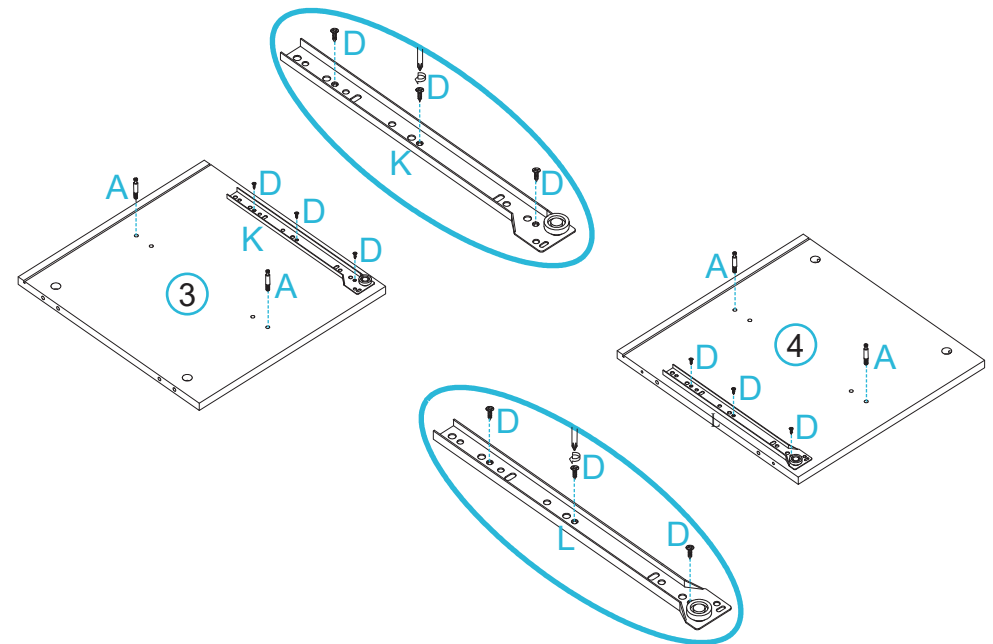
mocka

1



Attach 4 x bolts (A) and 1 x spacer (P), 1 x clip (O) and secure with 2 x screws (D) to panels [1] and [5] as shown. Tighten with a screwdriver.

2



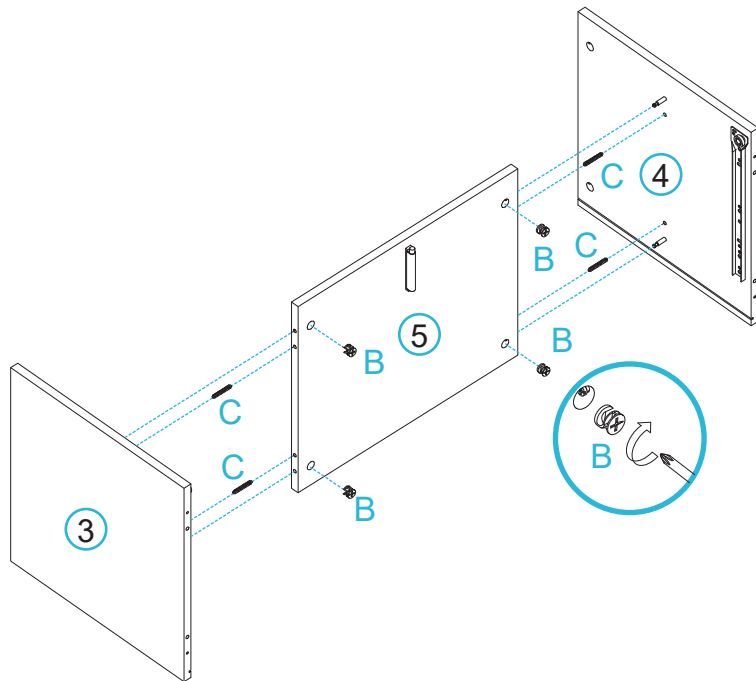
Attach 4 x bolts and 1 x left rail (K) and 1 x right rail (L) and secure with 6 x screws (D) to panels [3] and [4] as shown. Tighten with a screwdriver.

Claremont Bedside Table

Assembly Instructions

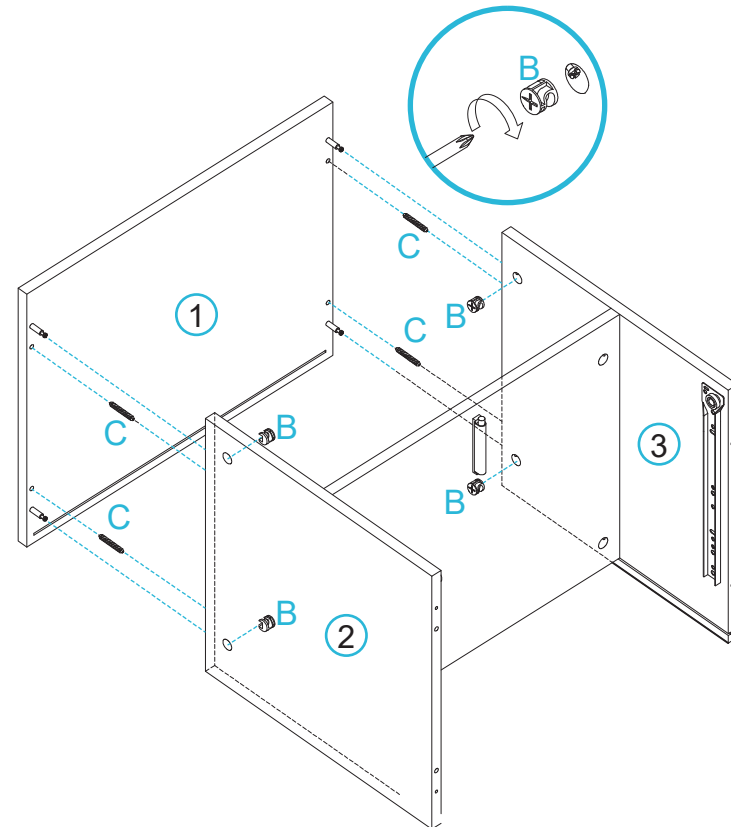
mocka

3



Attach panels [3] and [4] to panel [5] and secure with 4 x dowels (C) and 4 x nuts (B). Tighten with a screwdriver.

4



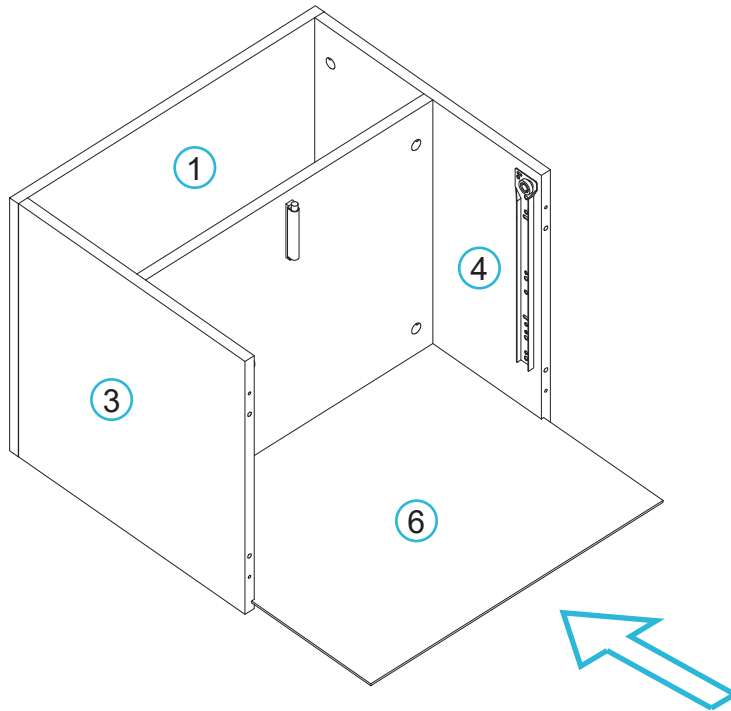
Attach panel [1] to panels [2] and [3] and secure with 4 x dowels (C) and 4 x nuts (B). Tighten with a screwdriver.

Claremont Bedside Table

Assembly Instructions

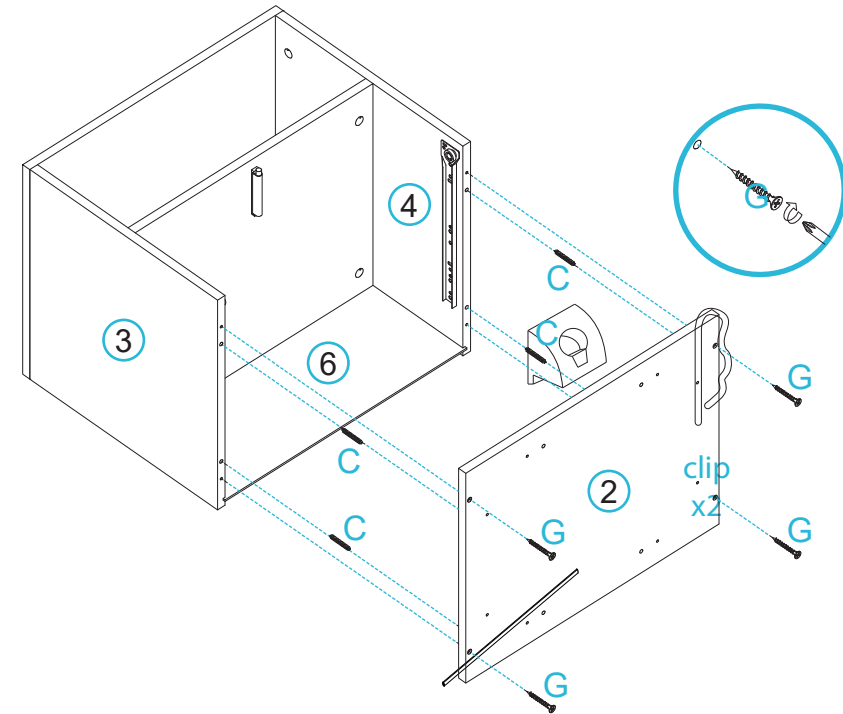
mocka

5



Slide panel [6] into position as shown.

6



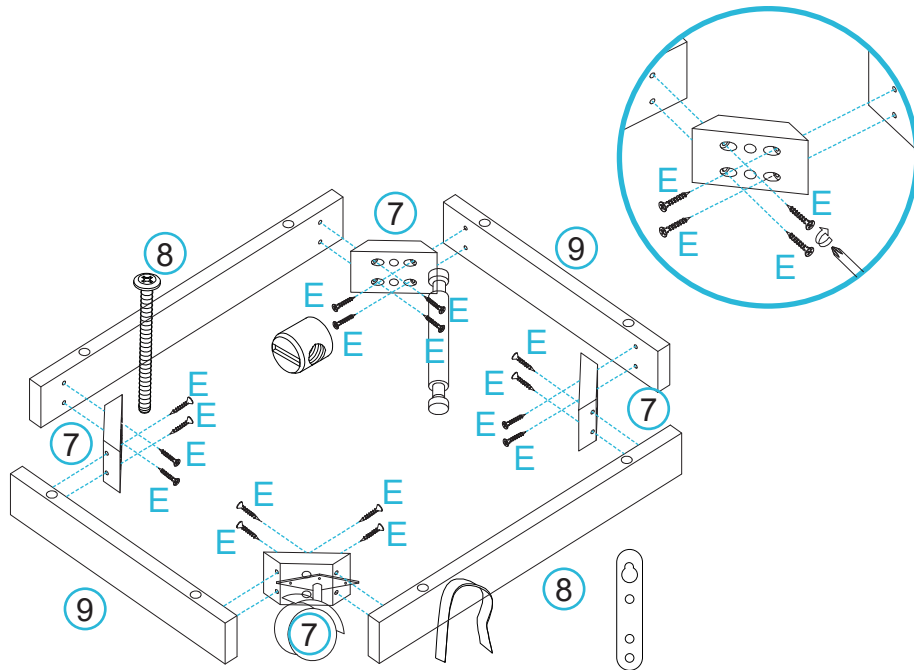
Attach panel [2] to assembled frame and secure with 4 x dowels (C) and 4 x screws (G). Tighten with a screwdriver.

Claremont Bedside Table

Assembly Instructions

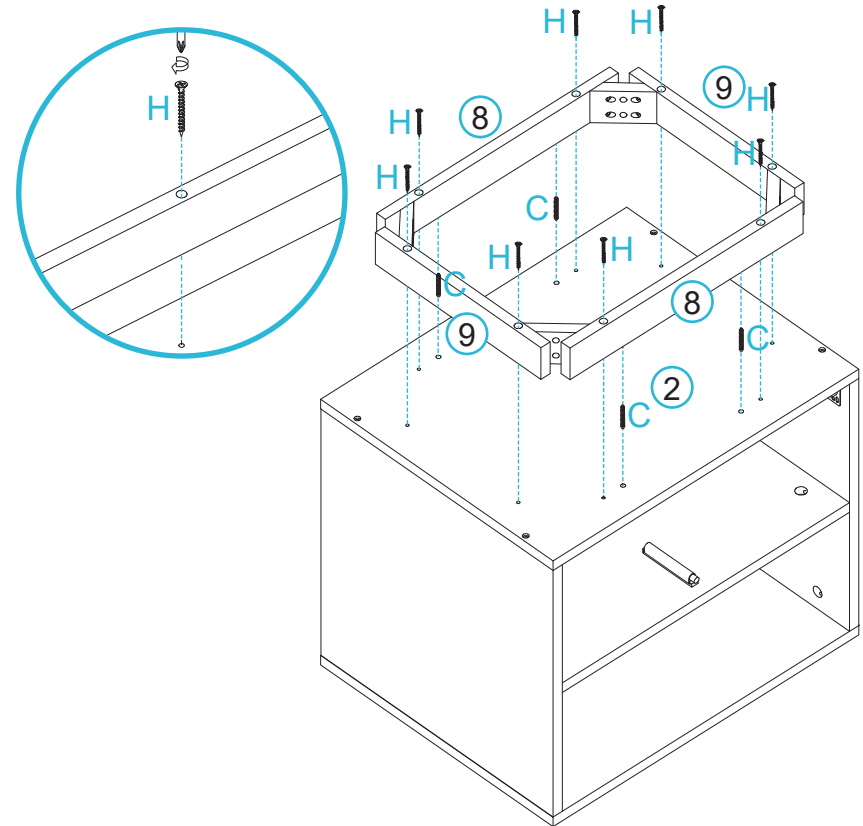
mocka

7



Attach panels [7], [8] and [9] together as shown and secure with 16 x screws (E). Tighten with a screwdriver.

8



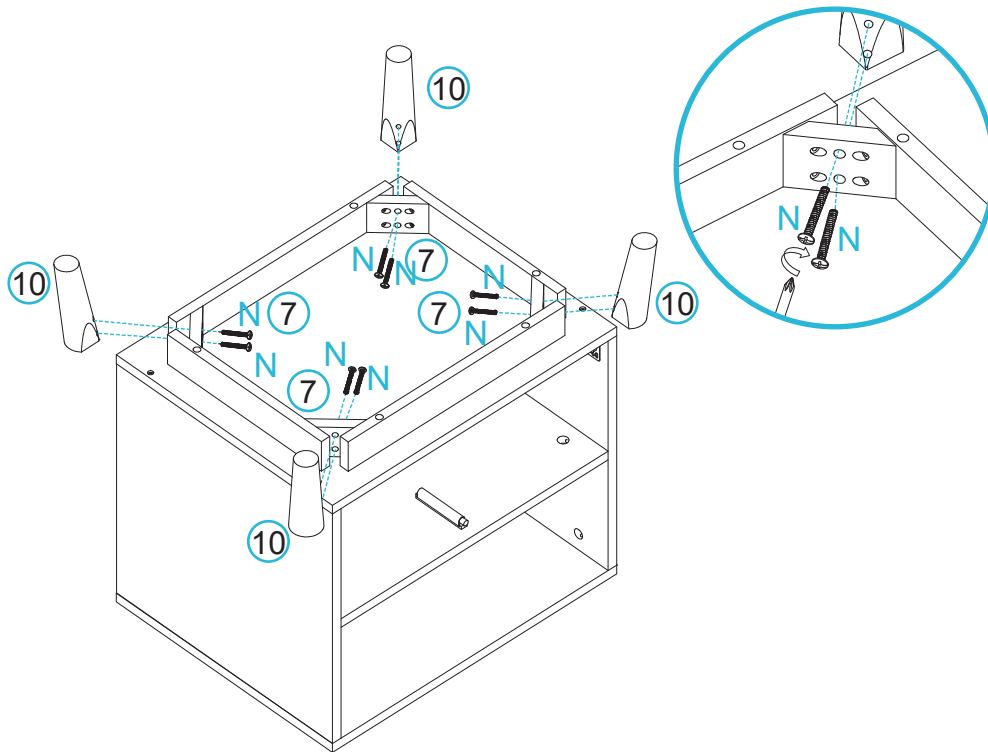
Attach assembled frame to panel [2] as shown and secure with 4 x dowels (C) and 8 x screws (H). Tighten with a screwdriver.

Claremont Bedside Table

Assembly Instructions

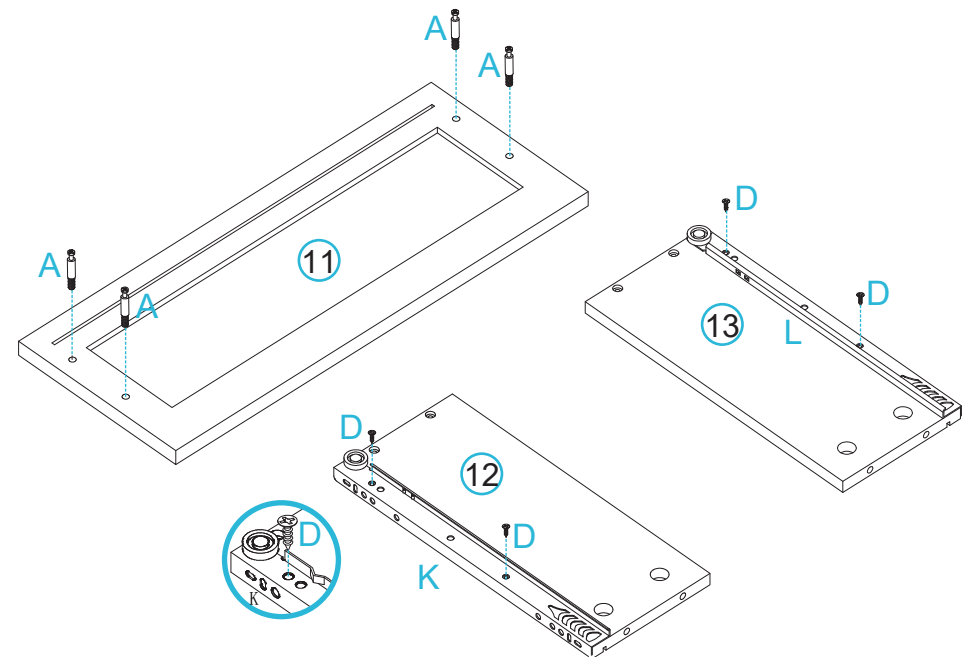
mocka

9



Attach 4 x legs (10) to assembled frame as shown and secure with 8 x screws (N). Tighten with a screwdriver.

10



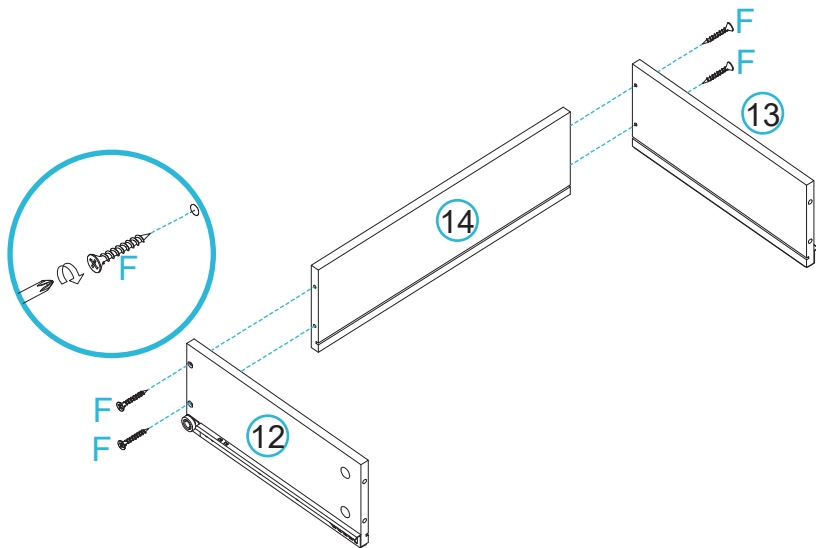
Attach 4 x bolts (A) to panel [11]. Attach left rail (L) and right rail (K) to panels [12] and [13] and secure with 4 x screws (D). Tighten with a screwdriver.

Claremont Bedside Table

Assembly Instructions

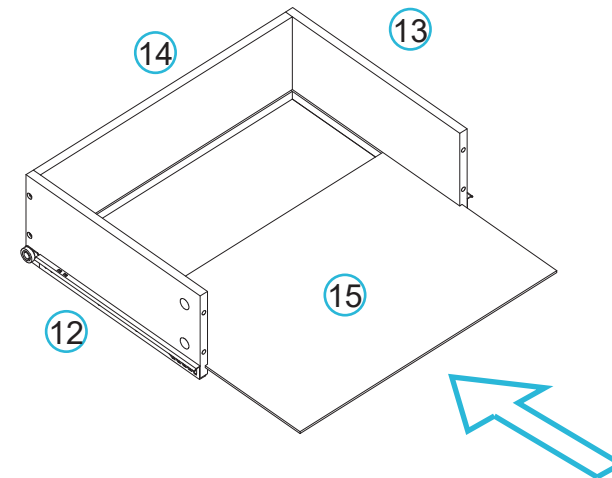
mocka

11



Attach panels [12] and [13] to panel [14] and secure with 4 x screws (F). Tighten with a screwdriver.

12



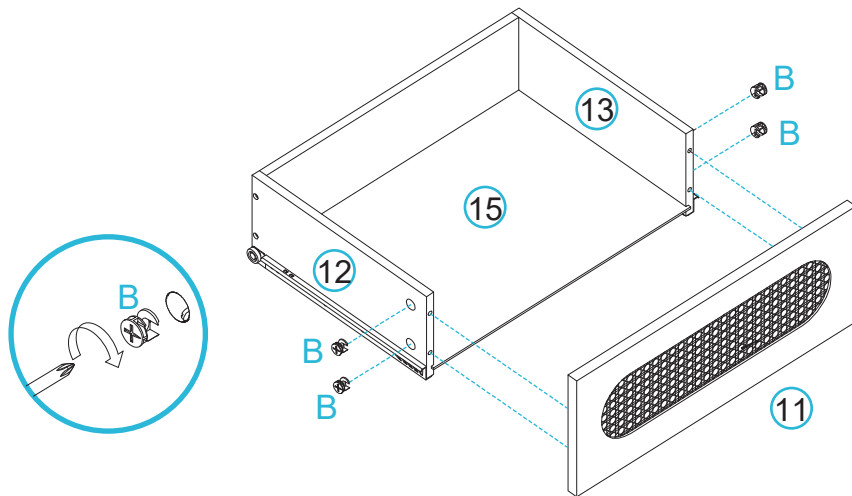
Slide panel [15] into position as shown.

Claremont Bedside Table

Assembly Instructions

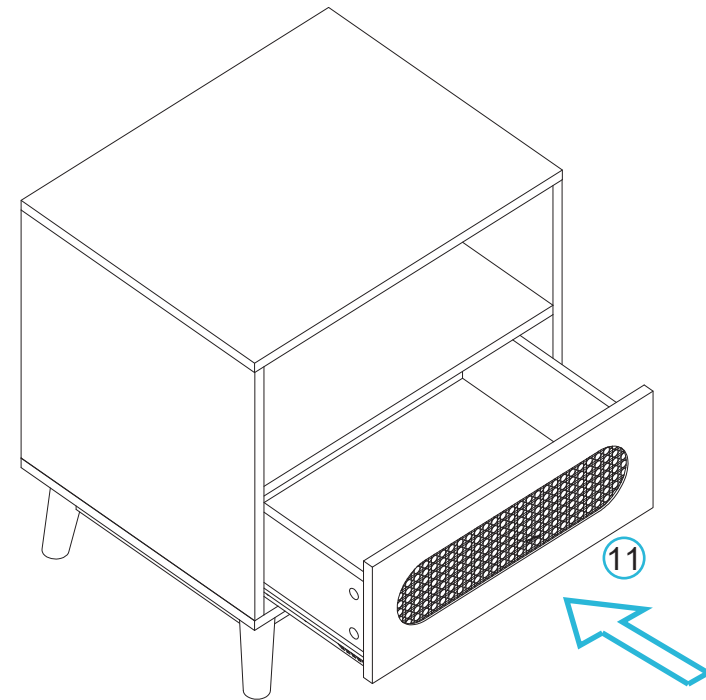
mocka

13



Attach panel [11] to assembled frame as show and secure with 4 x nuts (B). Tighten with a screwdriver.

14



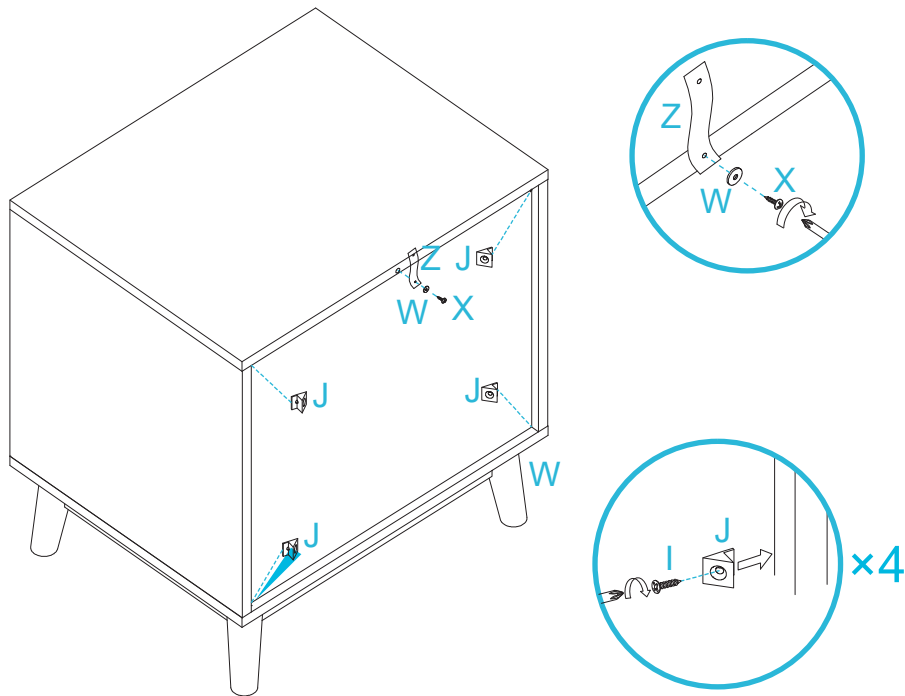
Slide assembled draw into position as shown.

Claremont Bedside Table

Assembly Instructions

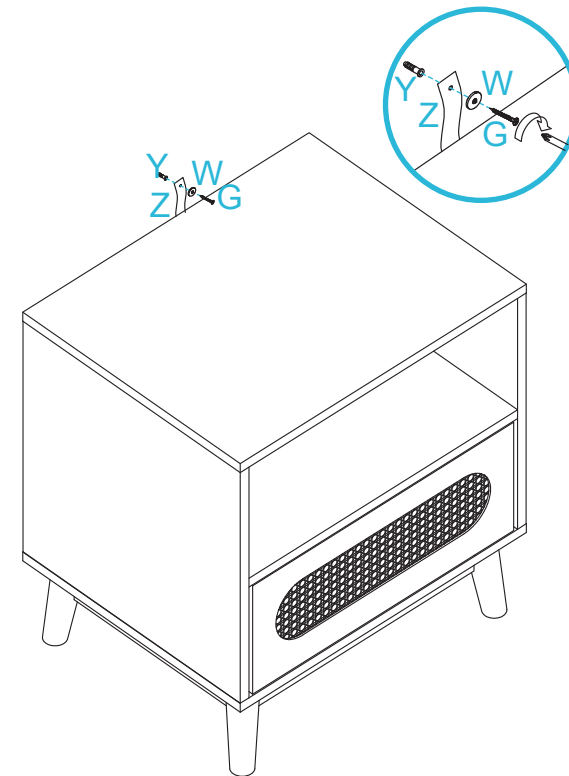
mocka

15



Attach 4 x wedges (J) and 1 x safety strap (Z) to assembled furniture and secure with 4 x screws (I), 1 x washer (W) and 1 x screw (X). Tighten with a screwdriver.

16



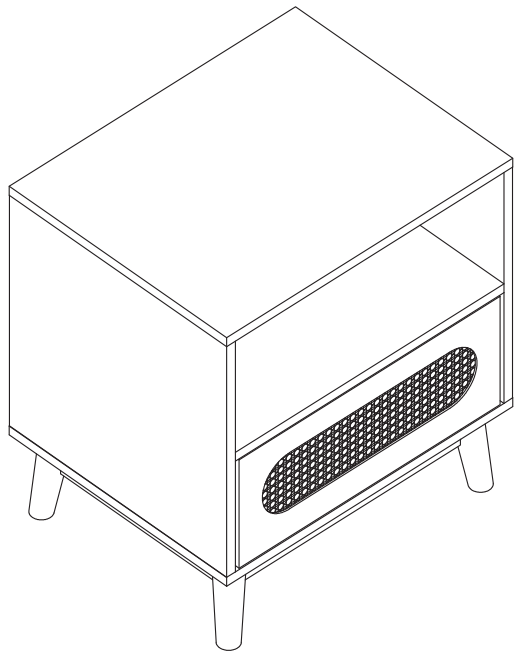
Once assembled lift furniture into place, do not drag. Use a drill to create a small hole lining up with the top of the safety strap (Z). Fasten to the wall using 1x wall plug (Y), 1 x screw (G) and 1 x washer (W). Ensure unit is balanced and steady before use.

Claremont Bedside Table

Assembly Instructions

mocka

17



You're done, enjoy!