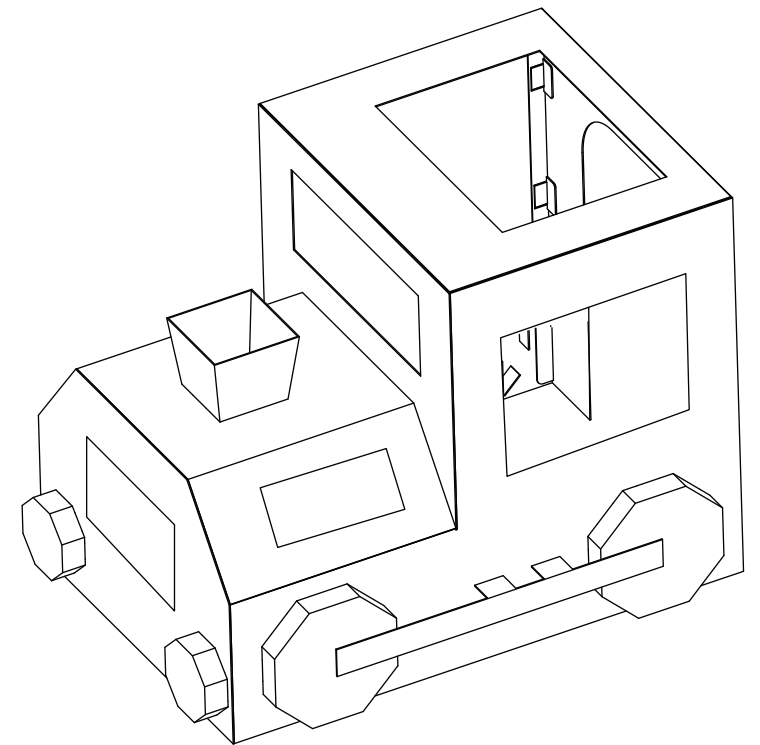
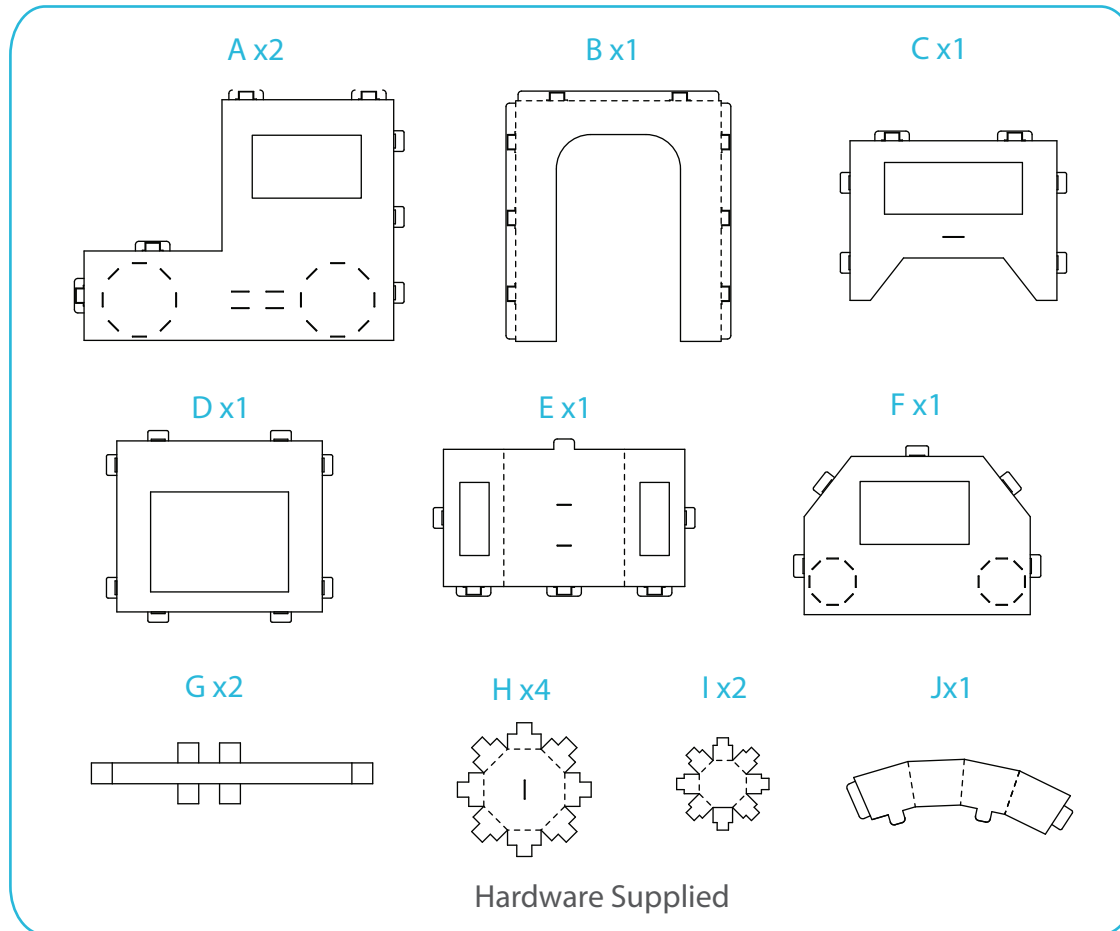


Cardboard Play & Colour - Train

Assembly Instructions

mocka

Thank you for your purchase.
Please follow the instructions below for correct assembly.



WARNING: KEEP AWAY FROM FIRE/FLAME

ASSEMBLY OF THIS ITEM SHOULD BE PERFORMED BY AN ADULT ONLY

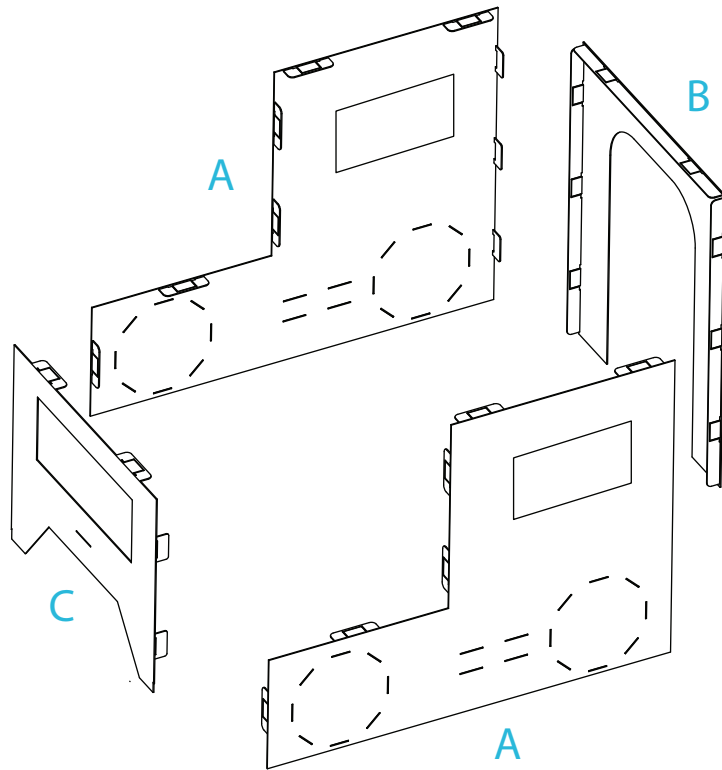
Before you begin assembly, pop out all excess cardboard from the tabs/holes and bend the grooves on each panel.

Cardboard Play & Colour - Train

Assembly Instructions

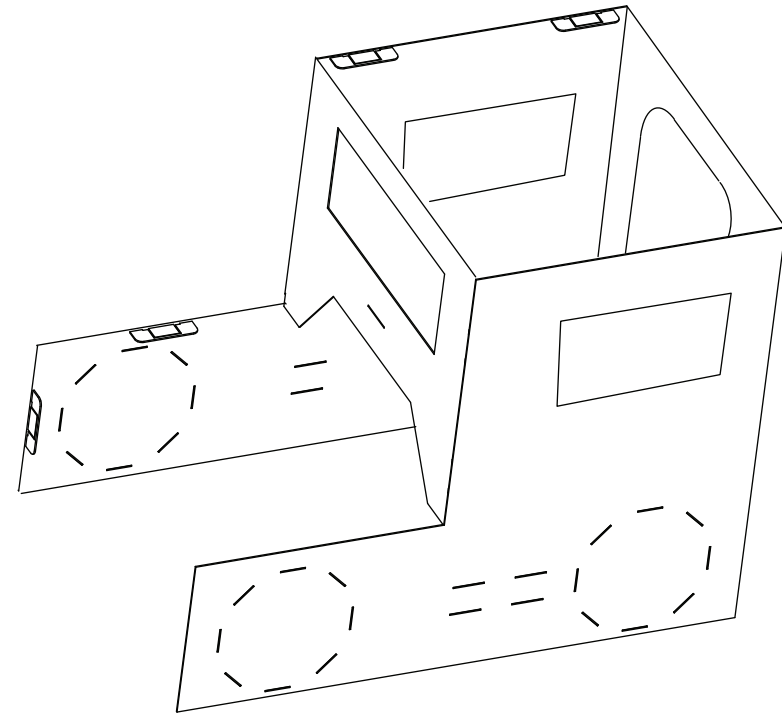
mocka

1



Attach parts (A), (B) and (C) together by slipping the tabs into the holes.

2



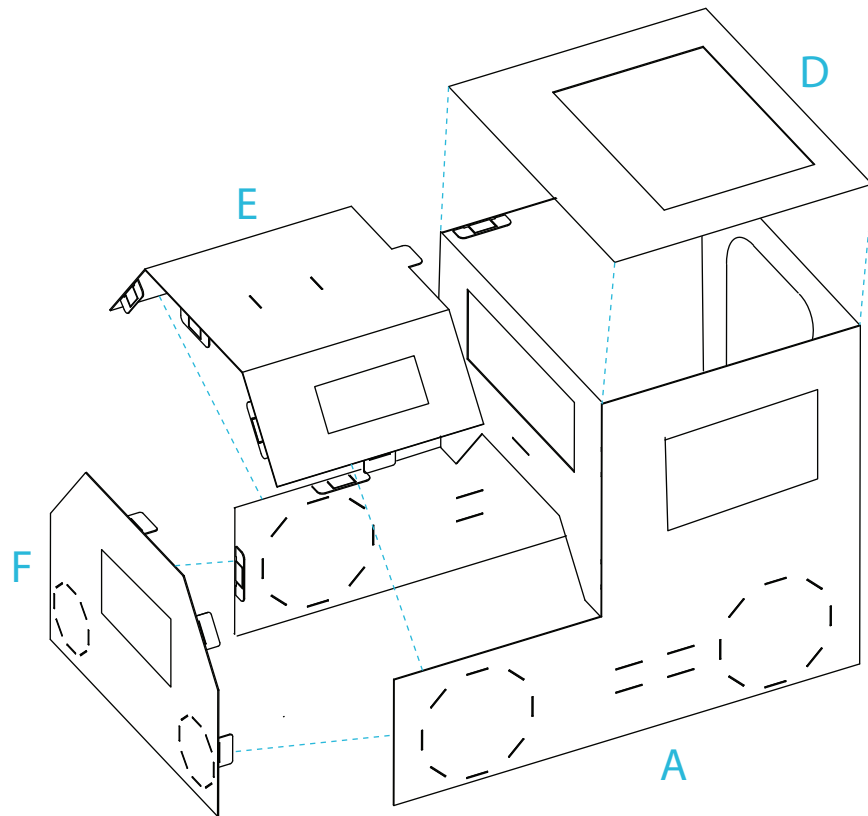
Ensure the parts are firmly put together.

Cardboard Play & Colour - Train

Assembly Instructions

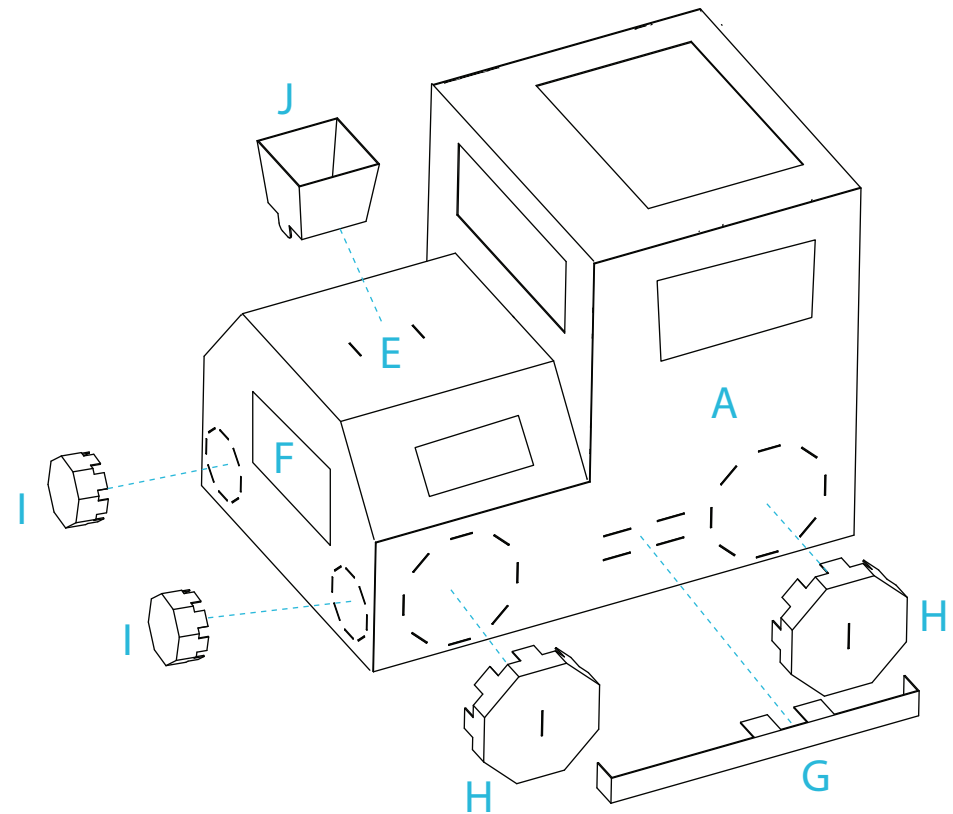
mocka

3



Attach parts (D), (E) and (F) as shown.

4



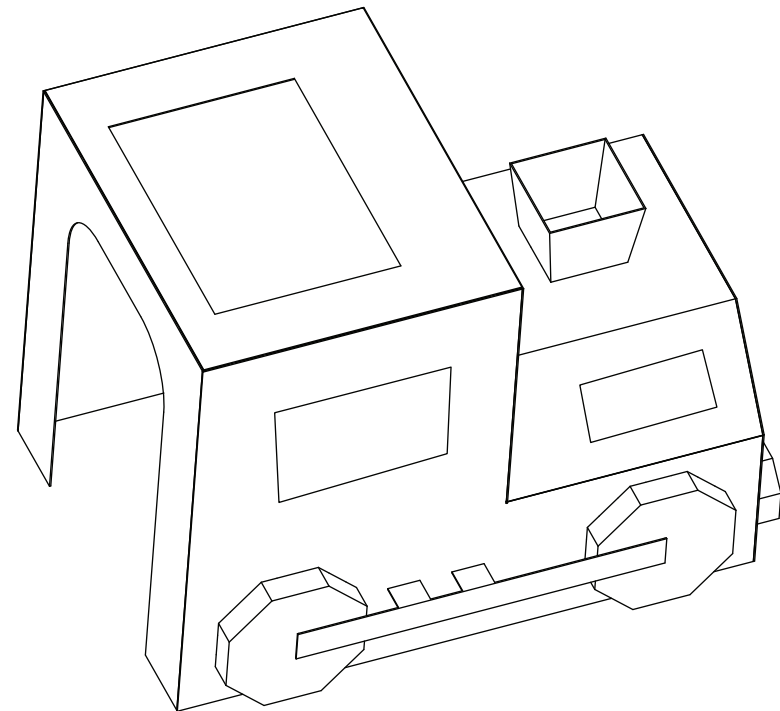
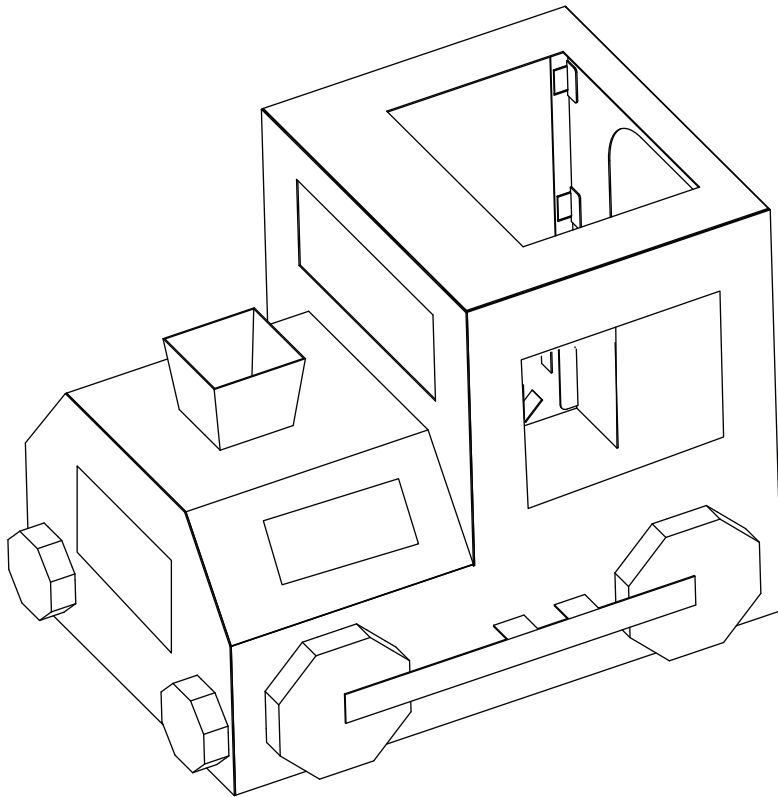
Attach part (J) to (E). Attach 2x (I) to part (F). Attach 2x parts (H) and 1x part (G) to each side (A).

Cardboard Play & Colour - Train

Assembly Instructions

mocka

5



You're done, enjoy!