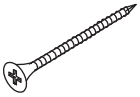

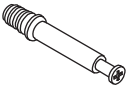

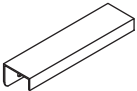
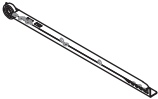
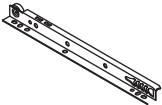
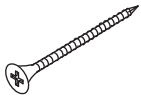
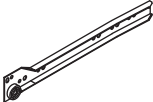
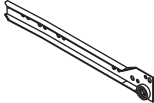

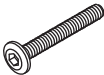
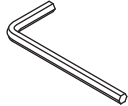
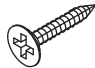





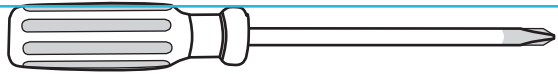
Bronte Bedside Table

Assembly Instructions

Thank you for your purchase.
Please follow the instructions below for correct assembly.


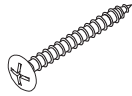
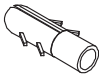

A  screw x8	B  locking nut x12	C  bolt x12	D  screw x16	E  handle x2		
F  rail x2	G  guide x2	H  screw x4	I  left rail x2	J  right rail x2		
K  dowel x8	L  bolt x4	M  allen key x1	N  screw x4	O  brace x4	T  screw x4	P  screw x8

Hardware Supplied



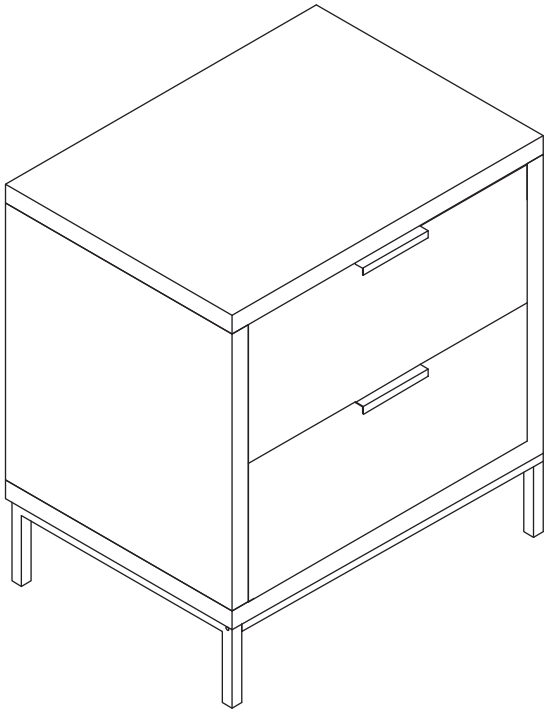
Phillips & Flathead screwdrivers required.

For quicker assembly, we recommend the use of a power drill on a low-speed setting.

S  screw x1	R  screw x1
P  wall plug x1	
Q  wall strap x1	

Wall attachment

mocka



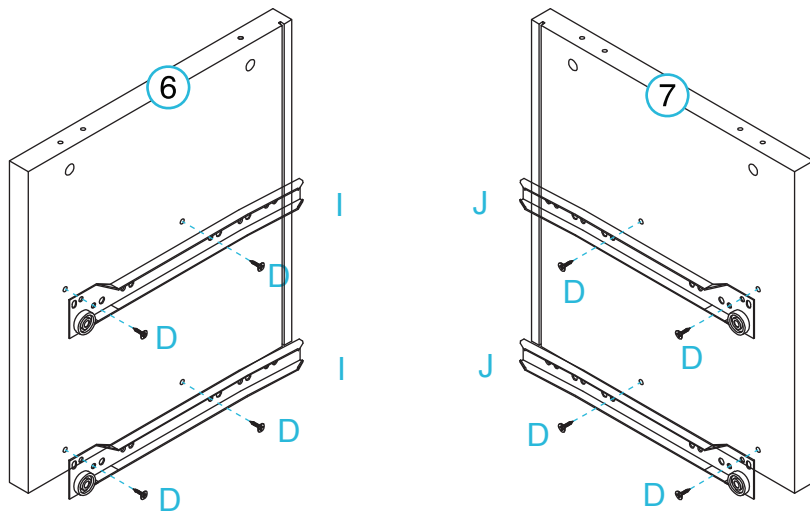
WARNING: Any furniture that is not anchored to a wall has the potential to tip over in certain circumstances, ie. if a child attempts to climb on the furniture or in the event of an earthquake. Accordingly, we recommend that all furniture is anchored to a wall. We supply a free safety wall anchor with all furniture sold and we recommend these are used to prevent your product tipping. The fixing device provided should fit most wall types, but please note that different wall materials may require different fixing devices from those supplied.

Bronte Bedside Table

Assembly Instructions

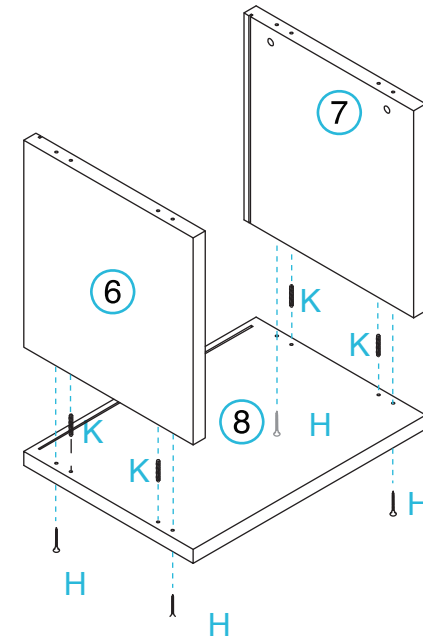
mocka

1



Attach 2 x left rails (I) and 2 x right rails (J) to panels [6] and [7] and secure with 8 x screws (D). Tighten with a screwdriver.

2



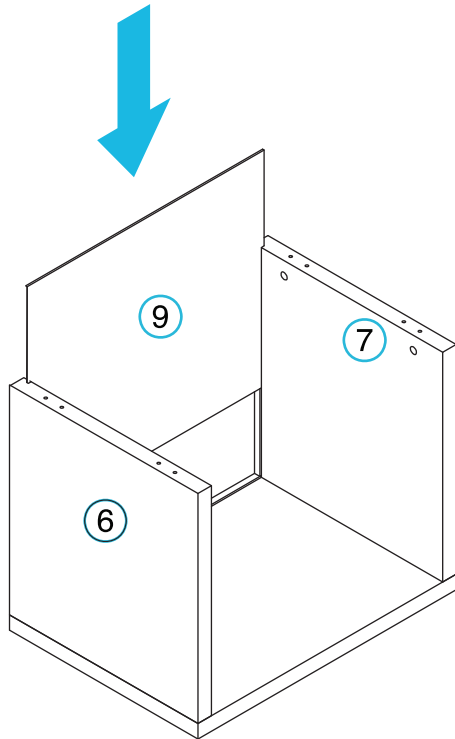
Attach panels [6] and [7] to panel [8] and secure with 4 x dowels (K) and 4 x screws (H). Tighten with a screwdriver.

Bronte Bedside Table

Assembly Instructions

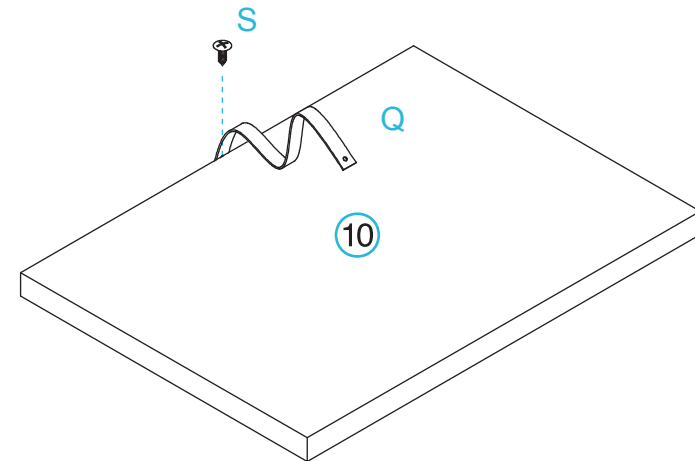
mocka

3



Slide panel [9] into position as shown.

4



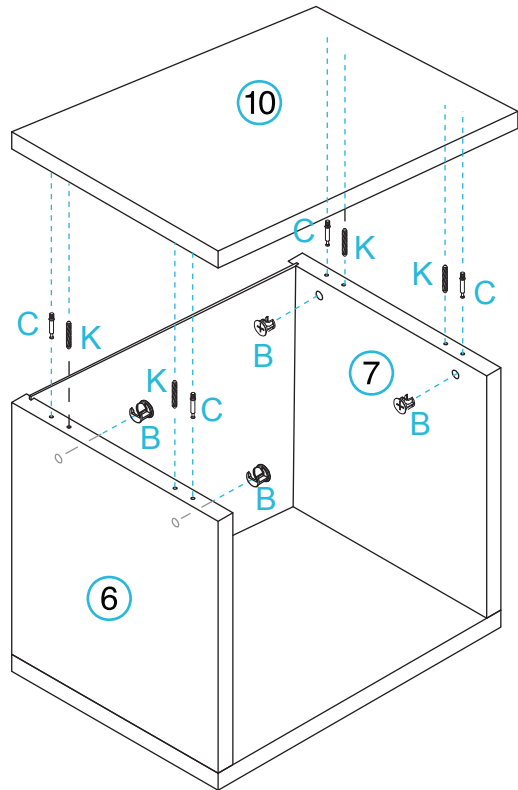
Attach 1 x wall strap (Q) to panel [10] and secure with 1 x screw (S).
Tighten with a screwdriver.

Bronte Bedside Table

Assembly Instructions

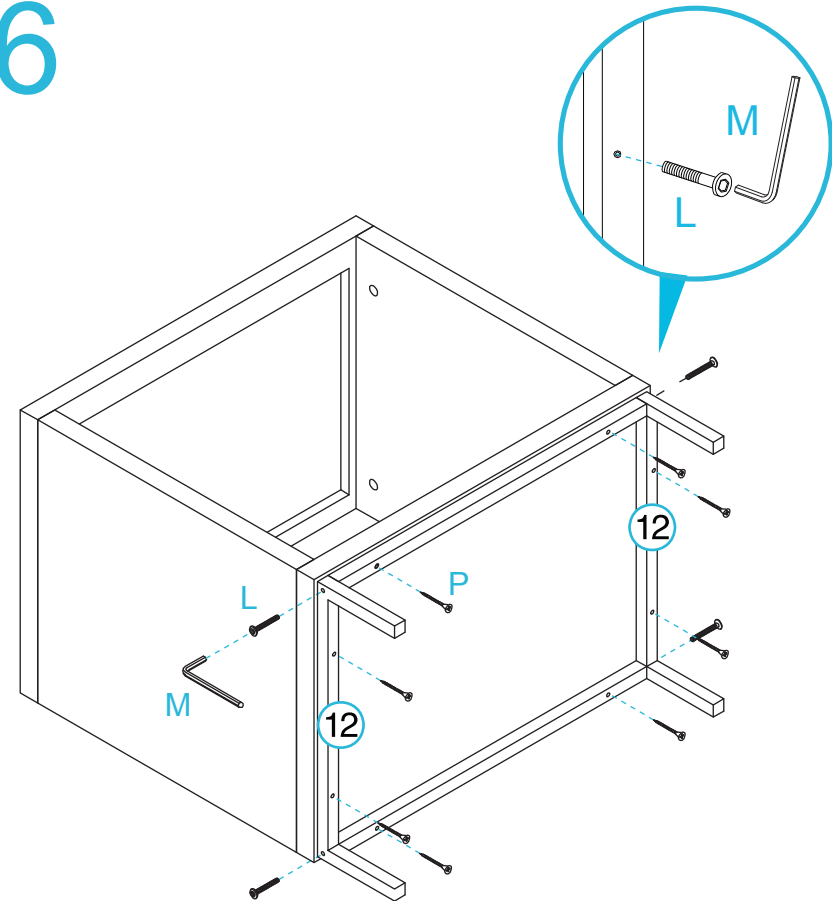
mocka

5



Attach panel [10] to assembled frame and secure with 4 x bolts (C), 4 x dowels (K) and 4 x locking nuts (B). Tighten with a screwdriver.

6



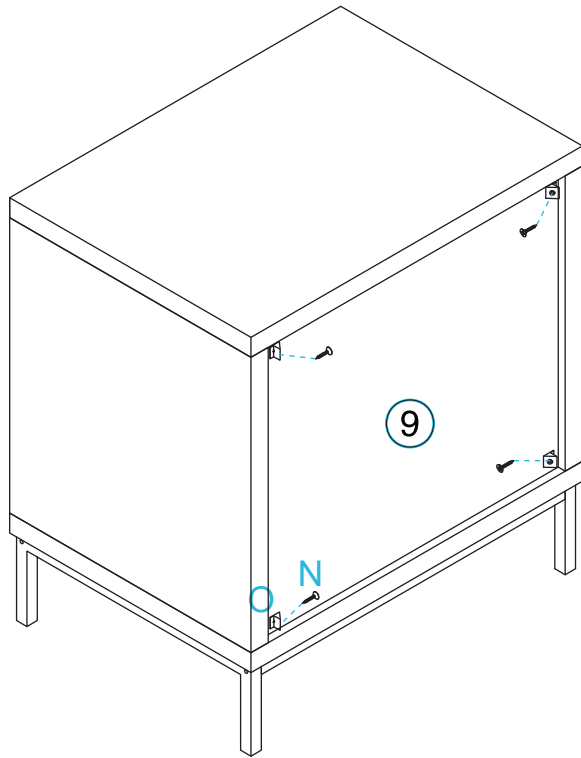
Attach panel [12] to assembled frame as shown and secure with 4 x bolts (L) and 8 x screws (P). Tighten bolts with an Allen Key (M) and screws with screwdriver.

Bronte Bedside Table

Assembly Instructions

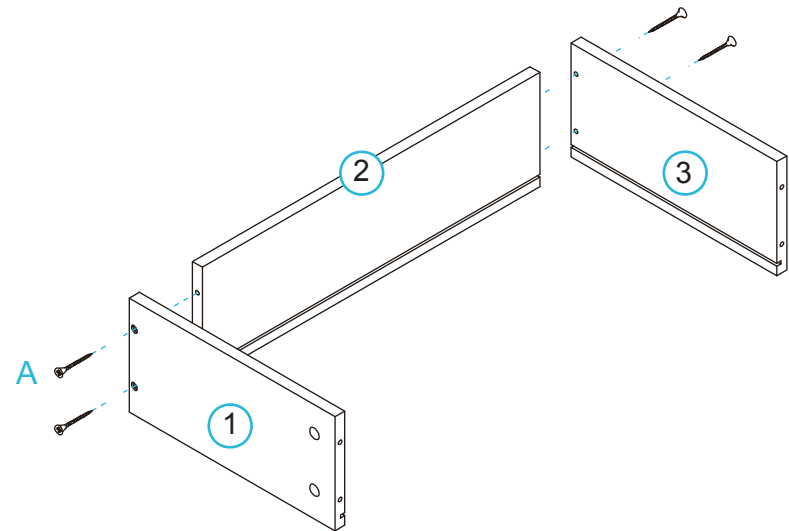
mocka

7



Attach 4 x braces (O) to assembled frame and secure with 4 x screws (N). Tighten with a screwdriver.

8 x2



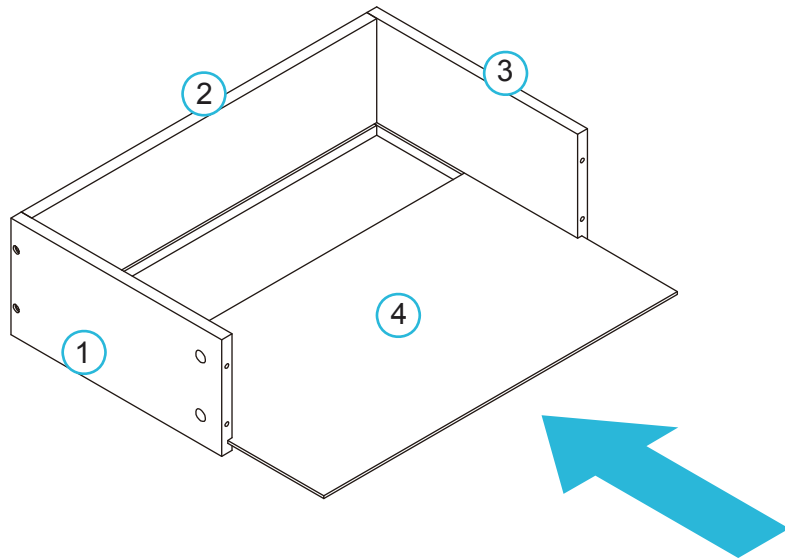
Attach panels [1], [2] and [3] together as shown and secure with 4 x screws (A). Tighten with a screwdriver.

Bronte Bedside Table

Assembly Instructions

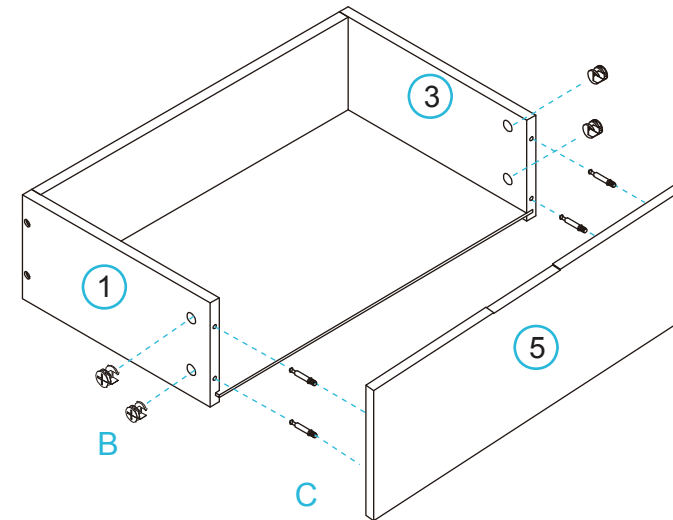
mocka

9 x2



Slide panel [4] into position as shown.

10 x2



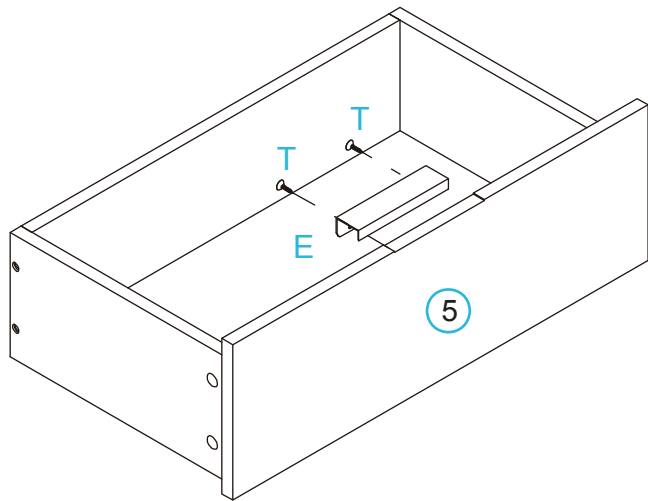
Attach panel [5] to assembled frame and secure with 4 x bolts (C) and 4 x locking nuts (B). Tighten with a screwdriver.

Bronte Bedside Table

Assembly Instructions

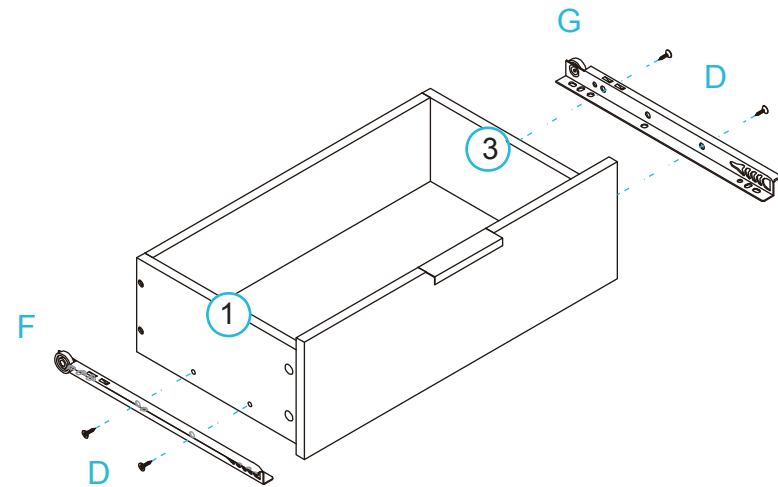
mocka

11 x2



Attach 1 x handle (E) to assembled frame and secure with 2 x screws (T). Tighten with a screwdriver.

12 x2



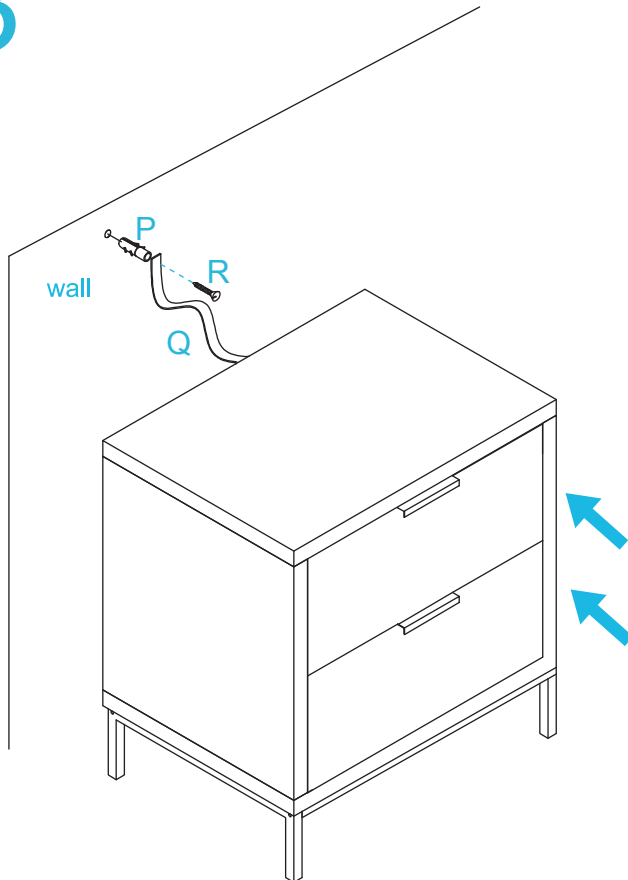
Attach 1 x left rail (E) and 1 x right rail (J) to panels [15] and [16] and secure with 4 x screws (D). Tighten with a screwdriver.

Bronte Bedside Table

Assembly Instructions

mocka

13



Once assembled lift furniture into place, do not drag. Use a drill to create a small hole lining up with the top of the safety strap (Q). Fasten to the wall using 1x wall anchor (P) and 1x screw (R). Ensure unit is balanced and steady before use. You're done, enjoy!