

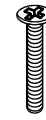
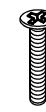



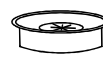
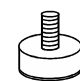



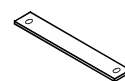



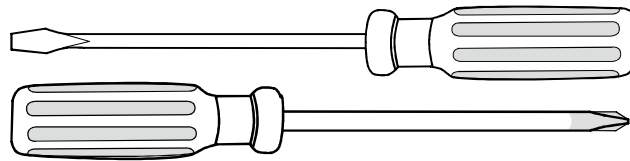
Brixton Desk

Thank you for purchasing a Mocka Brixton Desk. Please follow the manufacturer's assembly instructions in detail to ensure the safety features of the desk is not compromised.

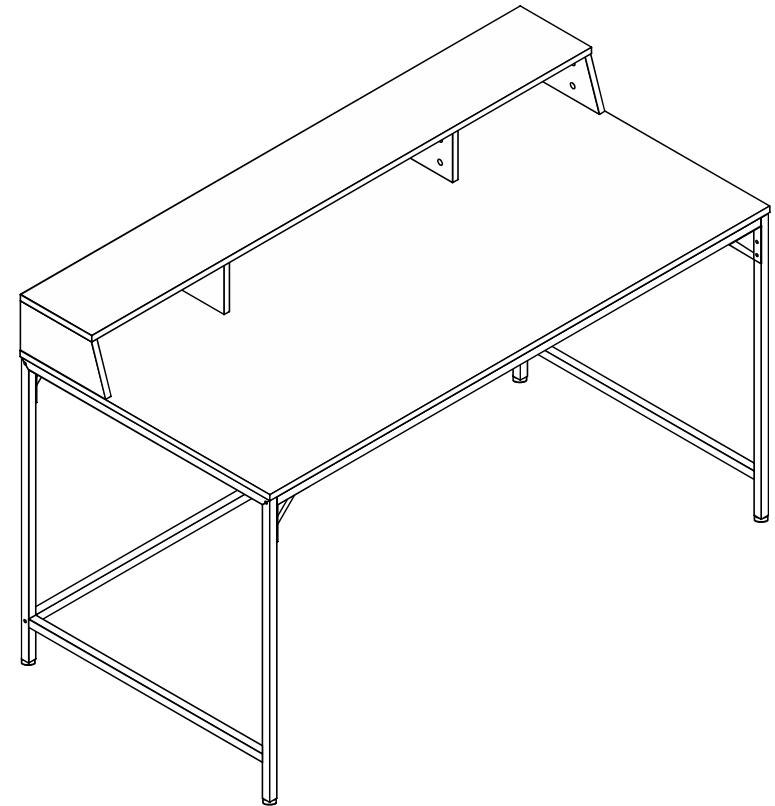
WARNING: Any furniture that is not anchored to a wall has the potential to tip over in certain circumstances, i.e. if a child attempts to climb up on the furniture or in the event of an earthquake. Accordingly, we recommend that all furniture is anchored to a wall. We supply a free safety wall anchor with all furniture sold and we recommend these are used to prevent your product tipping. The fixing device provided should fit most wall types, but please note that different wall materials may require different fixing devices from those supplied.

A 	B 	C 	D 	E 	F 	G 
bolt & nut set x24	PVC sticker x24	40mm bolt x6	30mm bolt x10	20mm bolt x1	15mm bolt x2	nut x3
H 	I 	J 	K 	L 	M 	N 
organisertop x1	foot x4	14mm screw x2	25mm screw x2	wall plug x2	safety strap x2	12mm bolt x16

Hardware Supplied



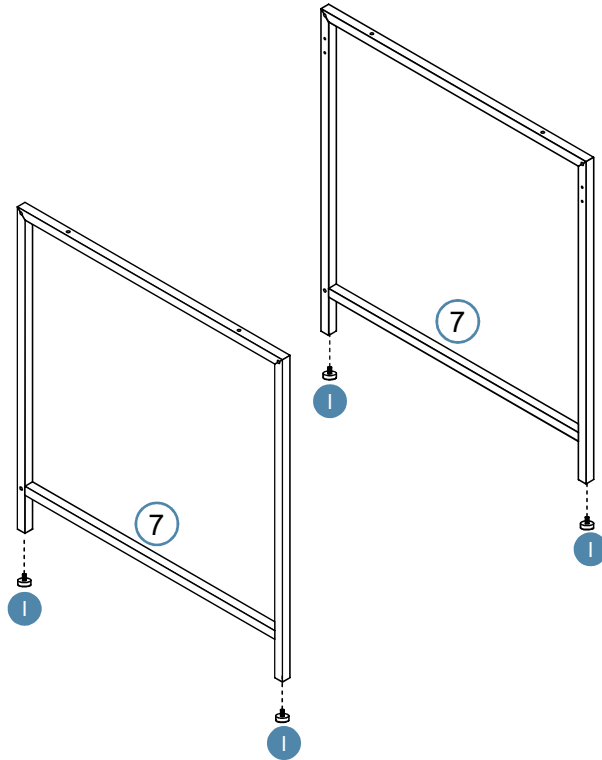
Phillips & Flathead screwdrivers required



Mocka.

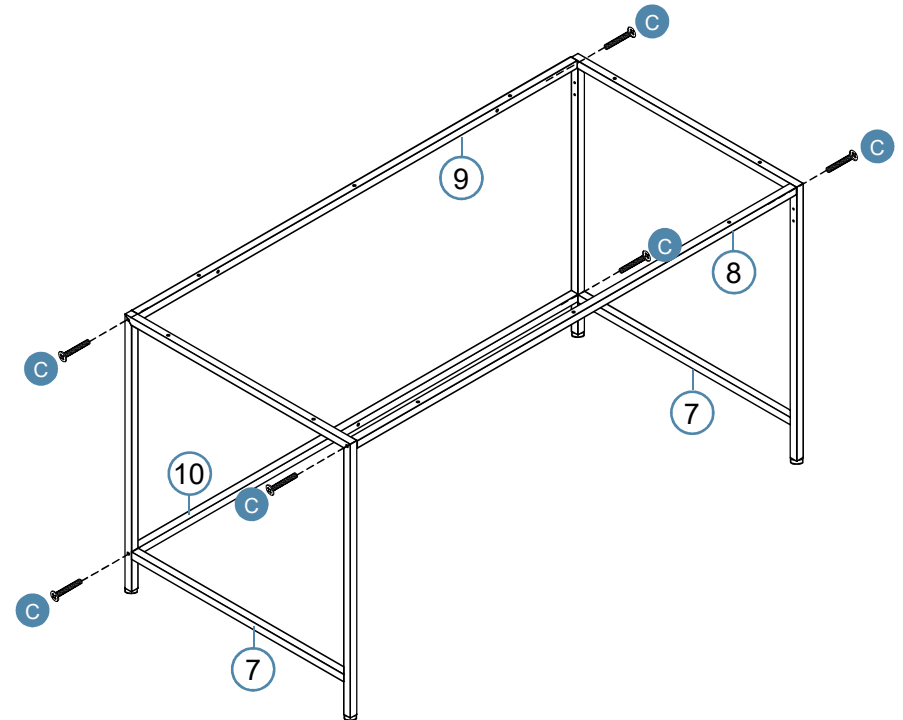
Brixton Desk

1



Attach 4 x feet (1) to 2 x frame [7].

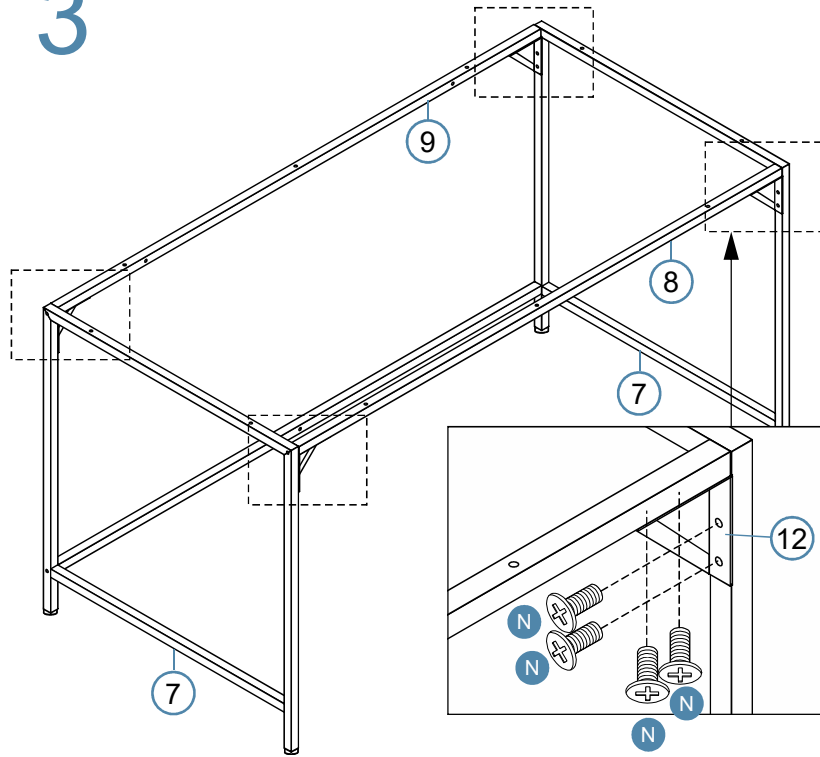
2



Attach frame [8], frame [9] and frame [10] to 2 x frame [7] with 6 x bolt (C).
Tighten with a screwdriver.

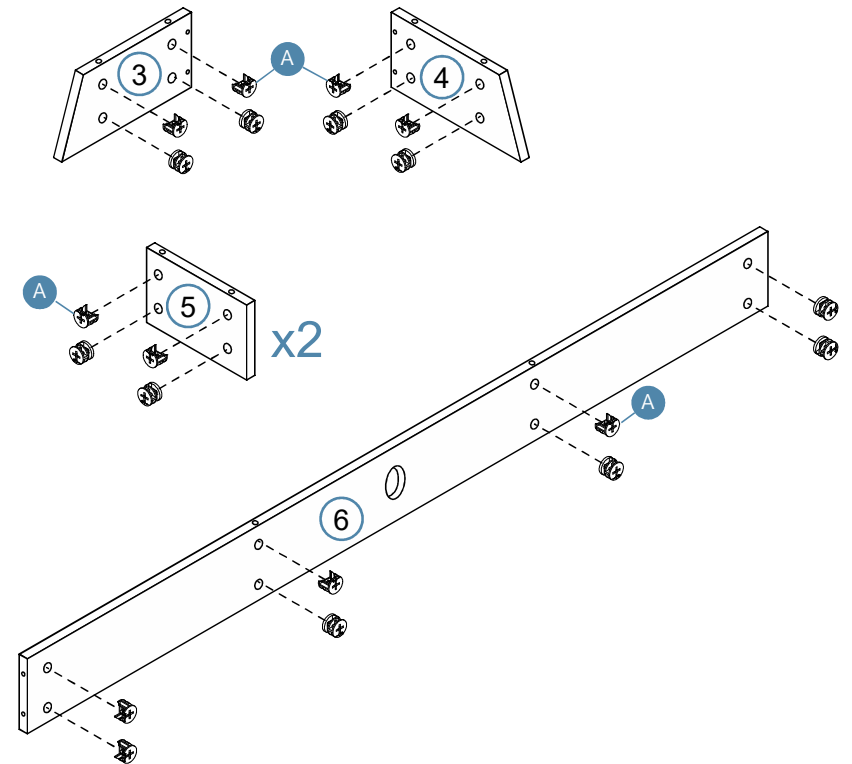
Brixton Desk

3



Attach the triangle frame [12] to metal frame [7], [8] and [9] with 4 x bolt (N) .

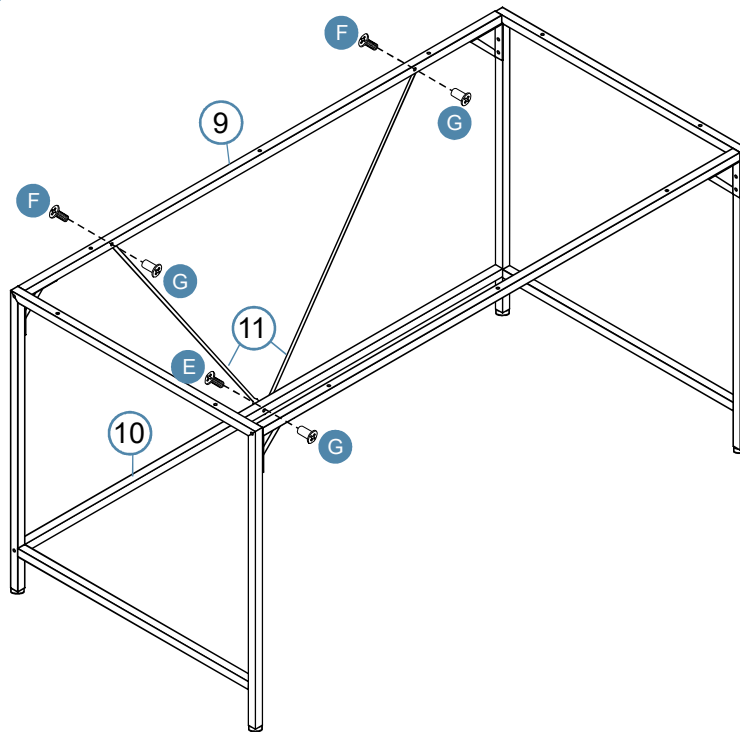
4



Insert 24 x nut (A) into panel [3], [4], [6] and 2x panel [5].

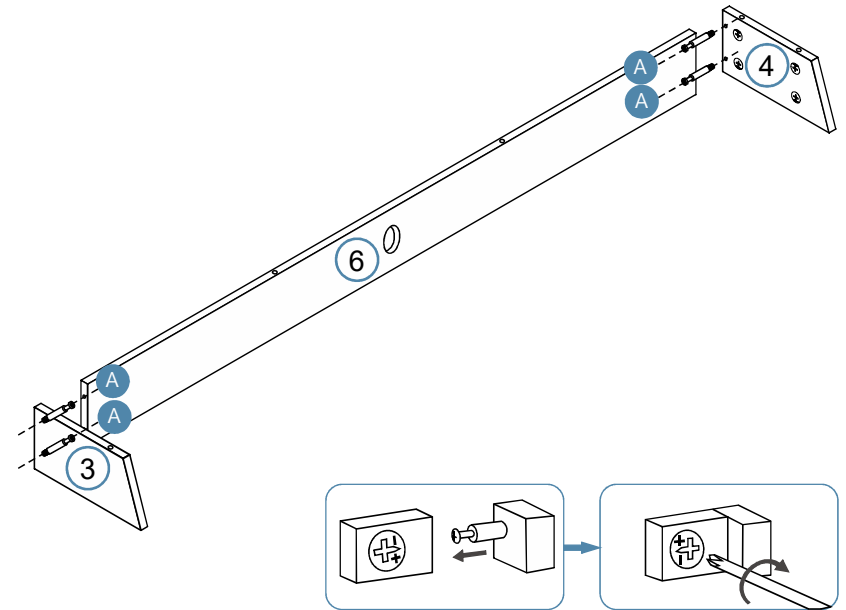
Brixton Desk

5



Attach frame [11] to frame [9] and [10] with 2 x bolt (F), bolt (E) and 3x nut (G). Tighten with a screwdriver.

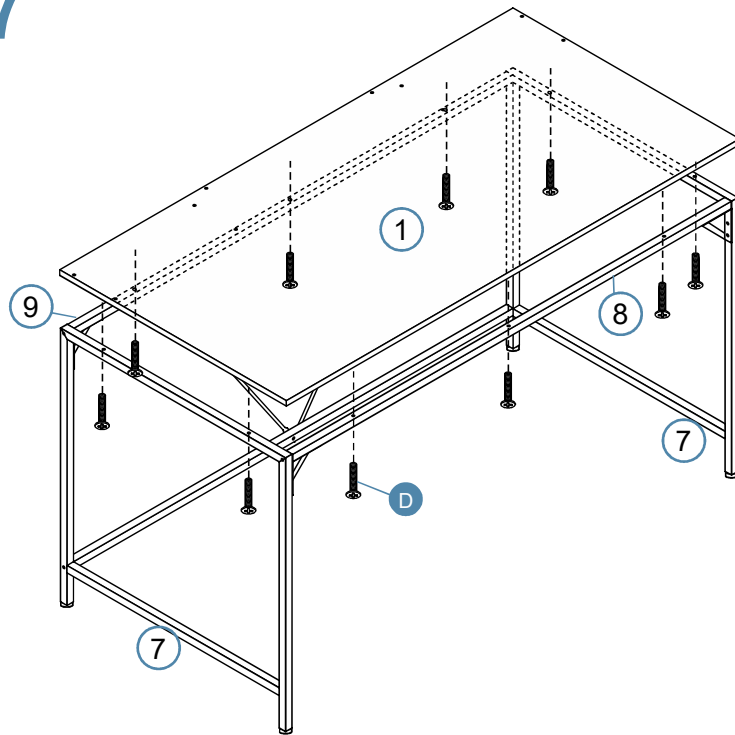
6



Attach panel [3] and [4] to panel [6] with 4 x bolt (A). Tighten with a screwdriver.

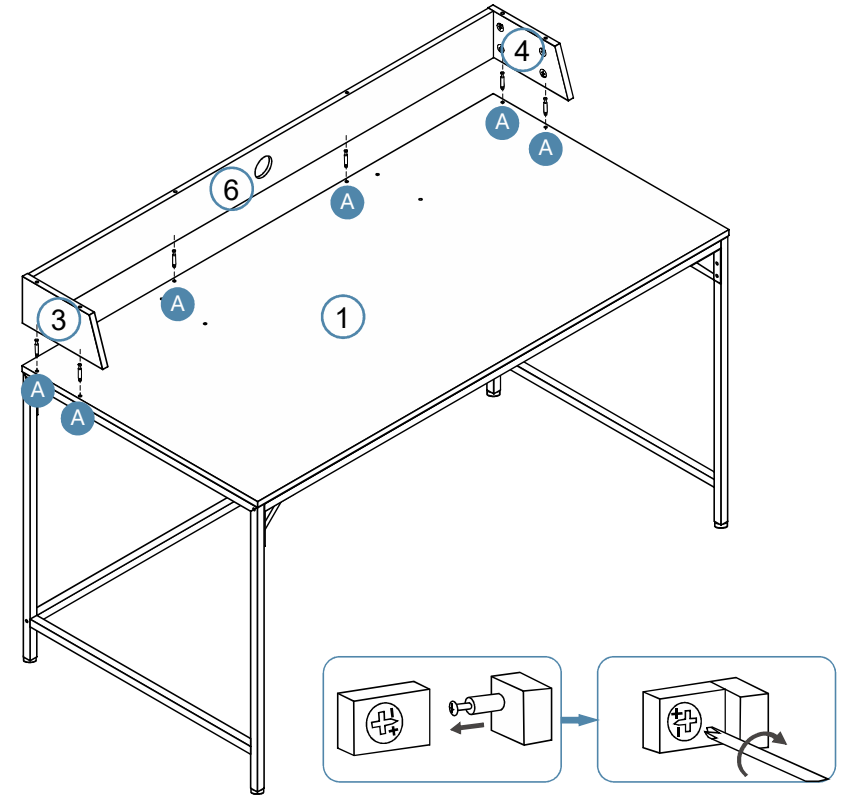
Brixton Desk

7



Attach panel [1] to metal frame with 10 x bolt (D). Tighten with a screwdriver.

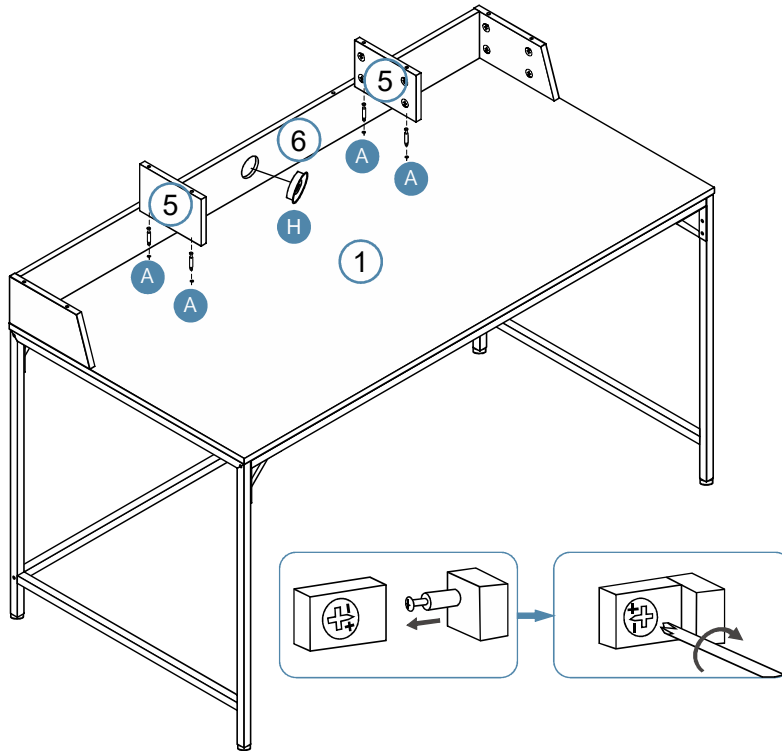
8



Attach panel [3], [6] and [4] to panel [1] with 6 x bolt (A). Tighten with a screwdriver.

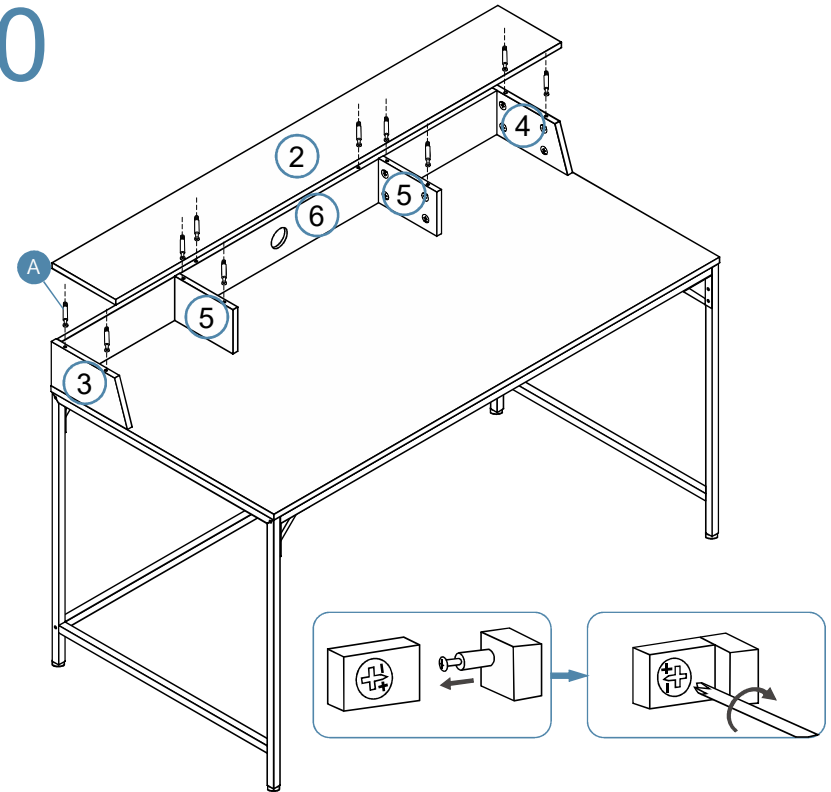
Brixton Desk

9



Attach 2 x panel [5] to panel [1] with 4 x bolt (A), and tighten with a screwdriver. Then insert organiser top (H) into panel [6].

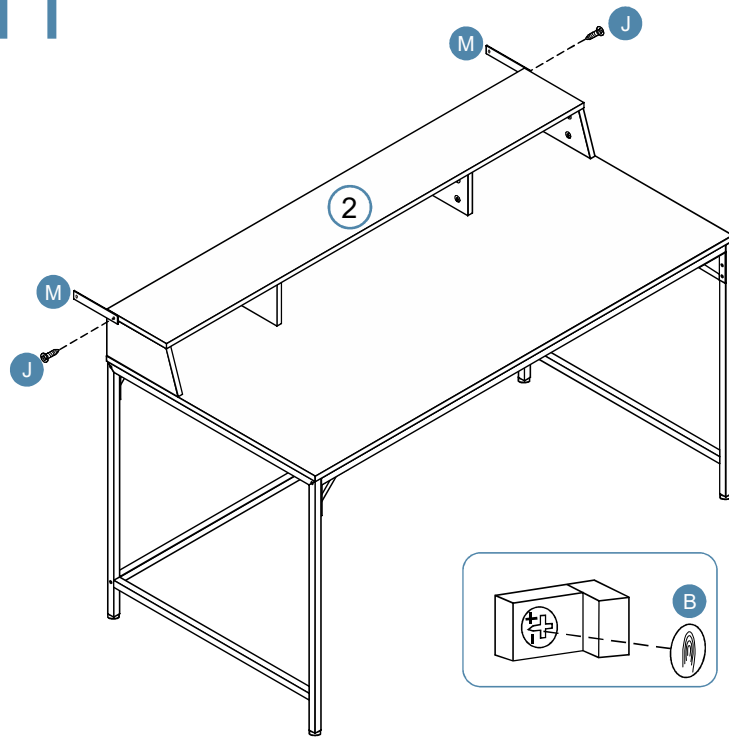
10



Attach panel [2] to panel [3], [4] and 2 x panel [5] with 10 x bolt (A). Tighten with a screwdriver.

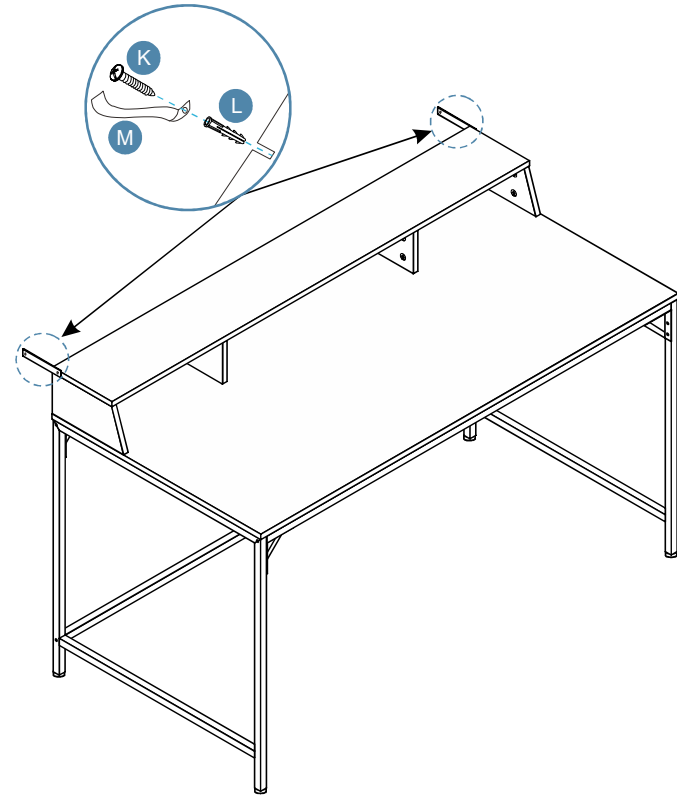
Brixton Desk

11



Attach safety strap (M) to panel [2] with 2 x screw(J). Then you can stick the PVC sticker on visible nut (A) to make the desk pretty.

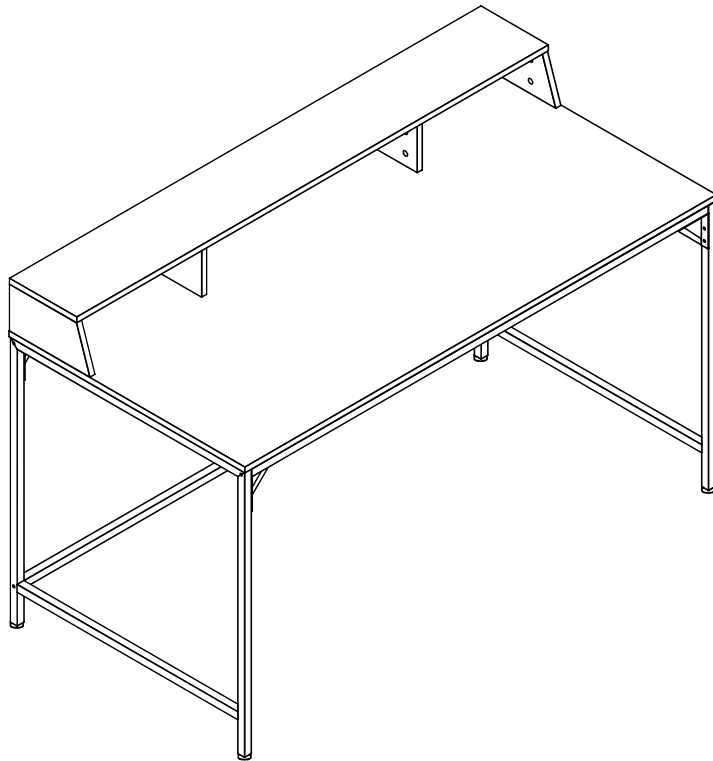
12



Move the unit to the desired location against a wall. Attach the other end of the 2 x safety straps (M) to the wall using 2 x wall plugs (L) and 2 x screws (K). Tighten with a screwdriver.

Brixton Desk

13



You're done, enjoy!