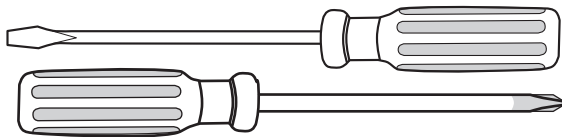
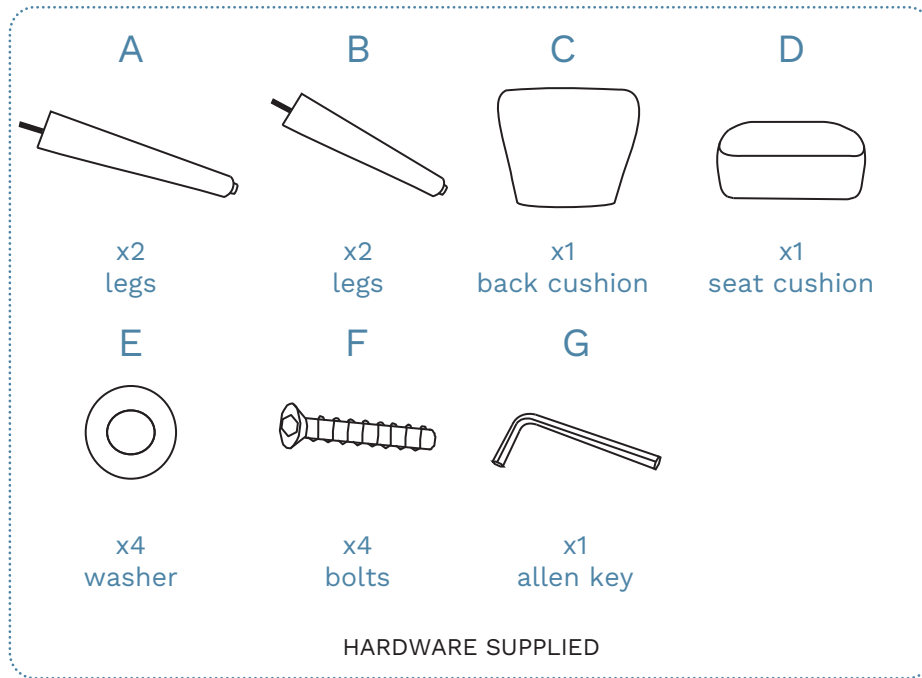


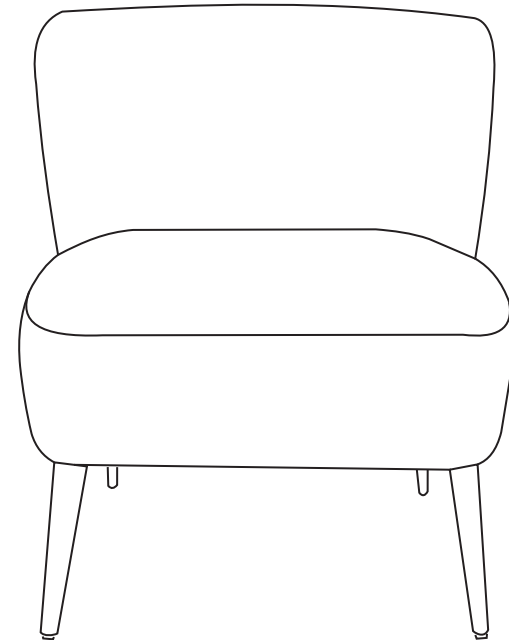
Boucle Occasional Chair

Thank you for purchasing Boucle Occasional Chair. Please follow the manufacturer's assembly instructions in detail.



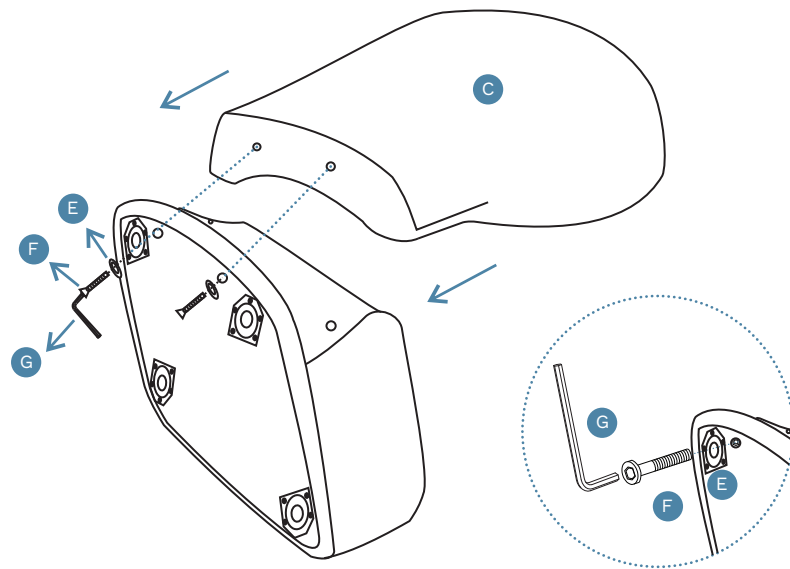
Phillips & Flathead screwdrivers required.

For quicker assembly, we recommend the use of a power drill on a low-speed setting.



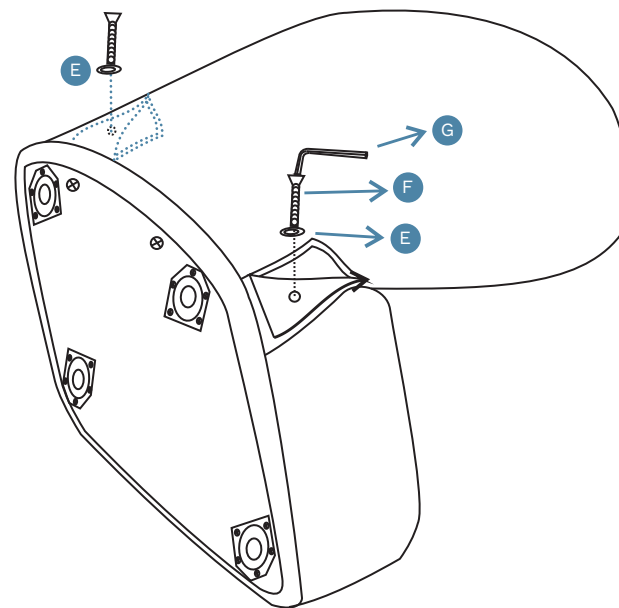
Boucle Occasional Chair

1



Attach 1 x cushion (C) to base as shown and secure with 2 x bolts (F) and 2 x washers (E). Tighten with an Allen Key (G).

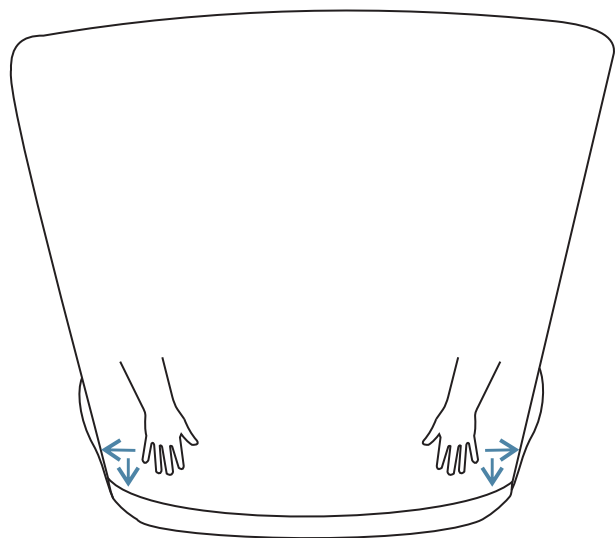
2



Peel back cushion cover as shown and attach to base and secure with 2 x screws (F) and 2 x washers (E). Tighten with an Allen Key (G).

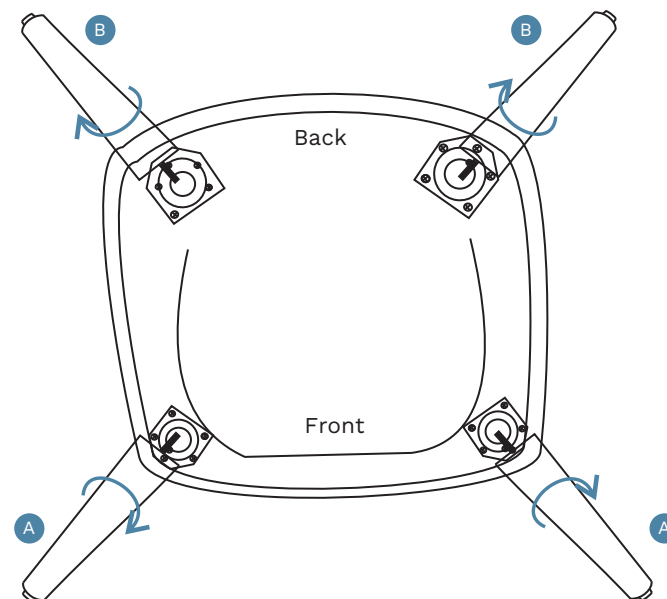
Boucle Occasional Chair

3



Place cushion cover back into its original position as shown.

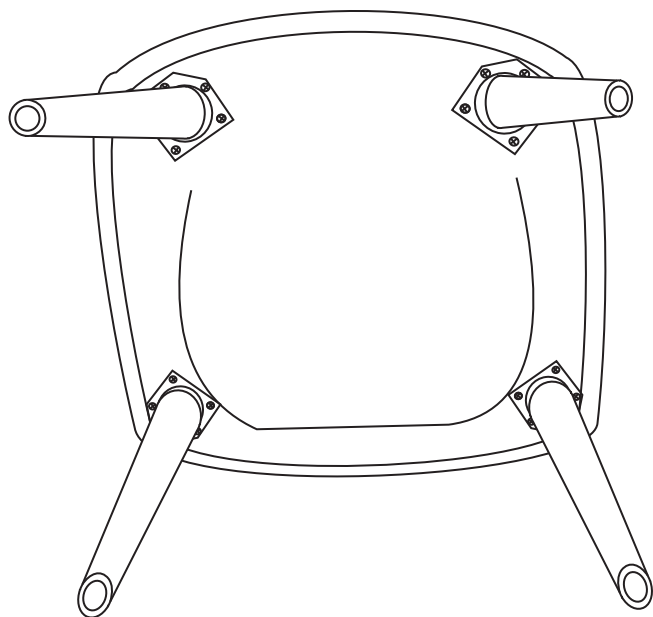
4



Screw 2 x legs (A) and 2 x legs (B) to base as shown.

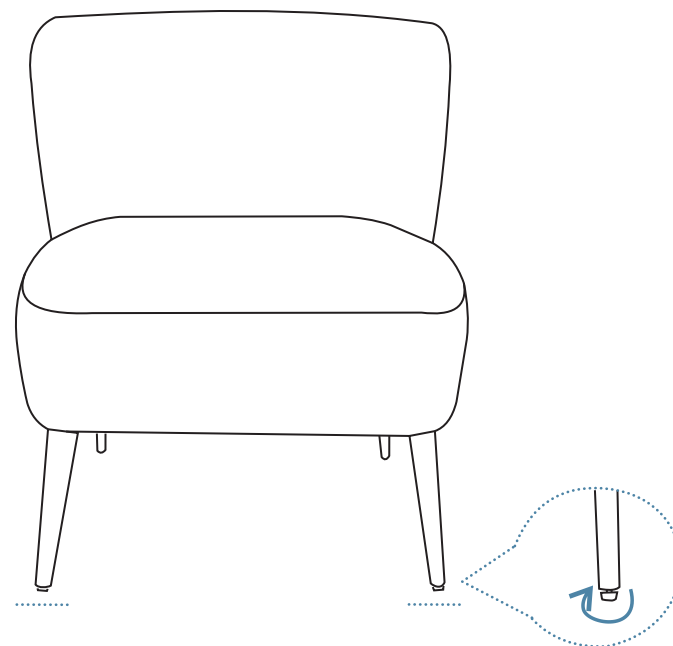
Boucle Occasional Chair

5



Once the legs are attached they will look like the attached image.

6



Once assembled lift furniture into place, do not drag. Ensure unit is balanced and steady before use. You're done, enjoy!