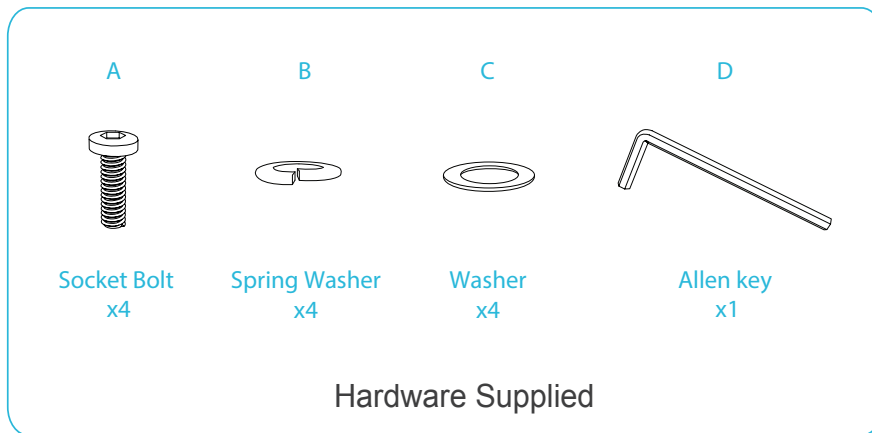


Belle Kids Table

Assembly Instructions

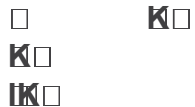
Thank you for your purchase.
Please follow the instructions below for correct assembly.

mocka



Once fully assembled please ensure all legs are sitting flush against the underside of the table to ensure stability. Do not over-tighten screws.

To ensure longevity of the wood please use a damp cloth only for cleaning. Avoid use of household cleaners.

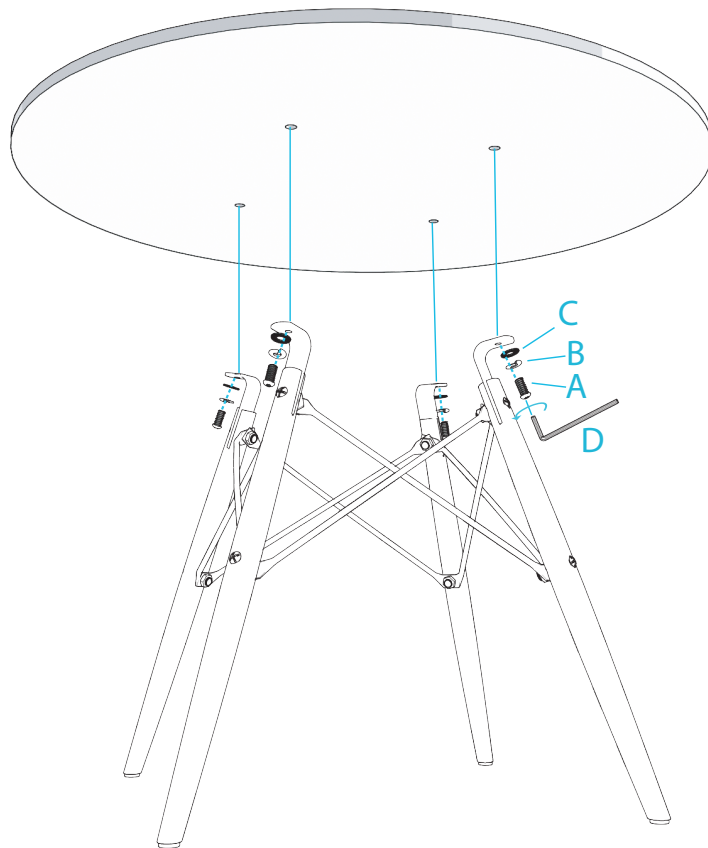


Belle Kids Table

Assembly Instructions

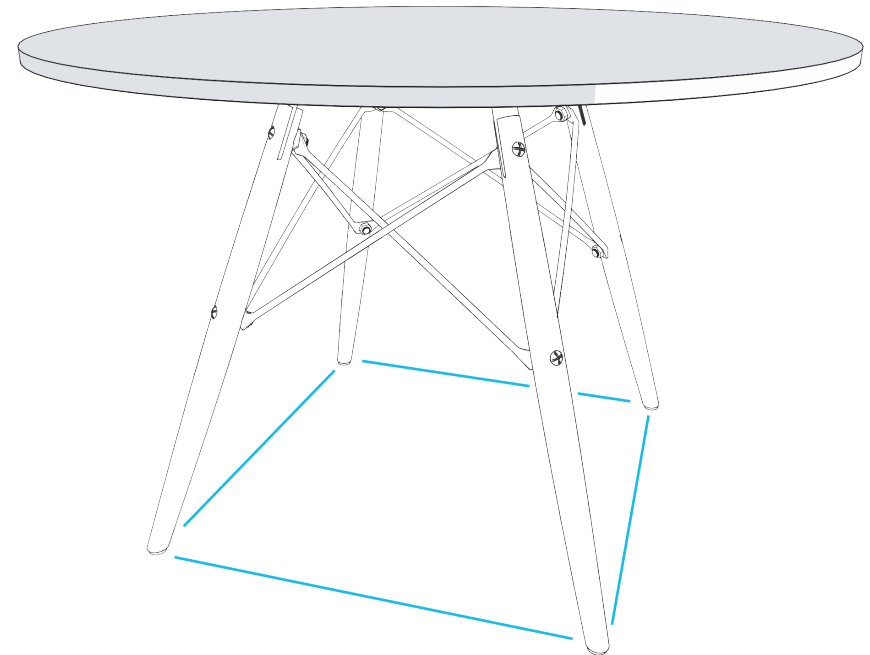
mocka

1



Attach the base of the table to the table top using 4x socket screws (A) and washers (B) and (C). Use the allen key (D) provided, making sure all legs are sitting flush to the underside of the table top. Do not over-tighten the screws.

2



Safety: Ensure all bolts are fastened securely and legs are positioned on a flat surface before using the table.