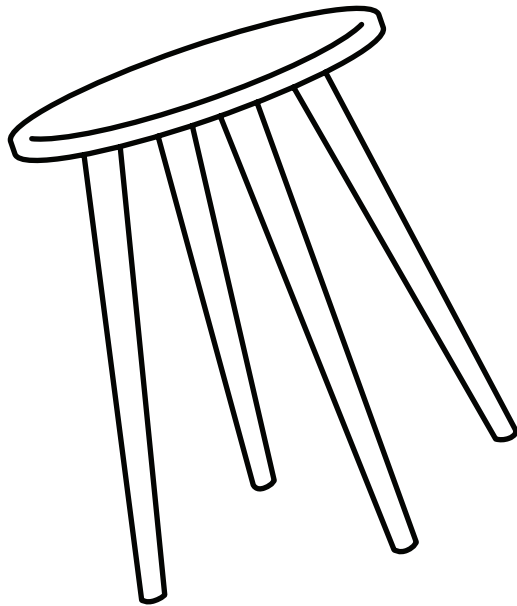
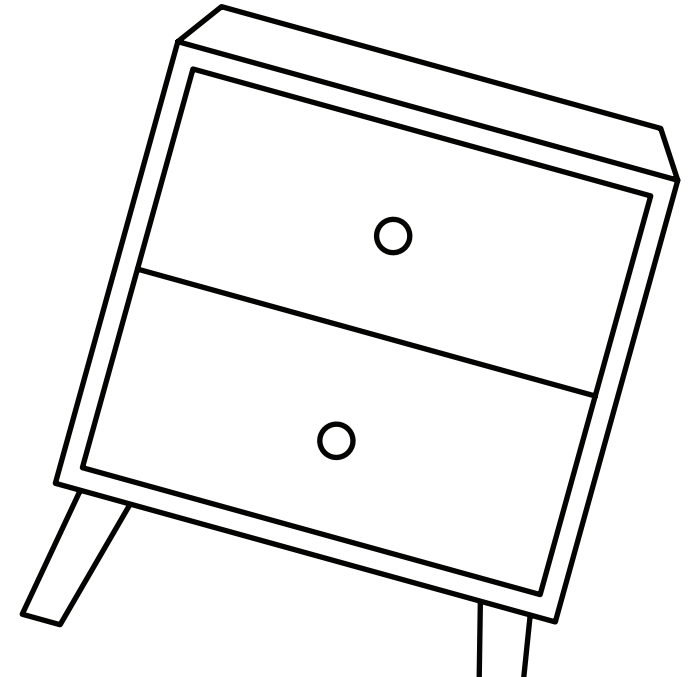


Hello,  
I've arrived!

Now that I'm here you are only one  
flat-pack away from transforming  
your home.



**Mocka.**

# Thank you for supporting us.

We believe design belongs to everyone. From materials and processes to safety testing, production and delivery, we are passionate and committed to bringing you the best possible product so you can create beautifully functional spaces to feel comfortably you.

Here are a few assembly tips before you get started:



## Make Time

The first step to all seamless assembly is taking a moment to carefully read through the instructions—you are already on your way to creating a beautifully functional space!



## Set The Mood

Put on your favourite playlist, order that pizza and pour yourself a drink to get in the mood!



## Tool Check

Layout the instructions, screws and panels to check you have everything you need. A blanket or soft floor rug will help protect your new favourite item from scratches and a drill will speed up the assembly too!



## Room Reveal







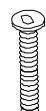
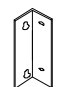
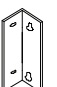


You did it! Take a step back and enjoy the moment. Don't forget to recycle any packaging and share a pic of your room reveal - we love seeing how you transform your home! Tag us @mockaaustralia/@mockaanz

Happy flat-packing!

*The Mocka Team*

# Belinda Kids Single & King Single Bed

Thank you for purchasing Belinda Kids Single & King Single Bed. Please follow the manufacturer's assembly instructions in detail.

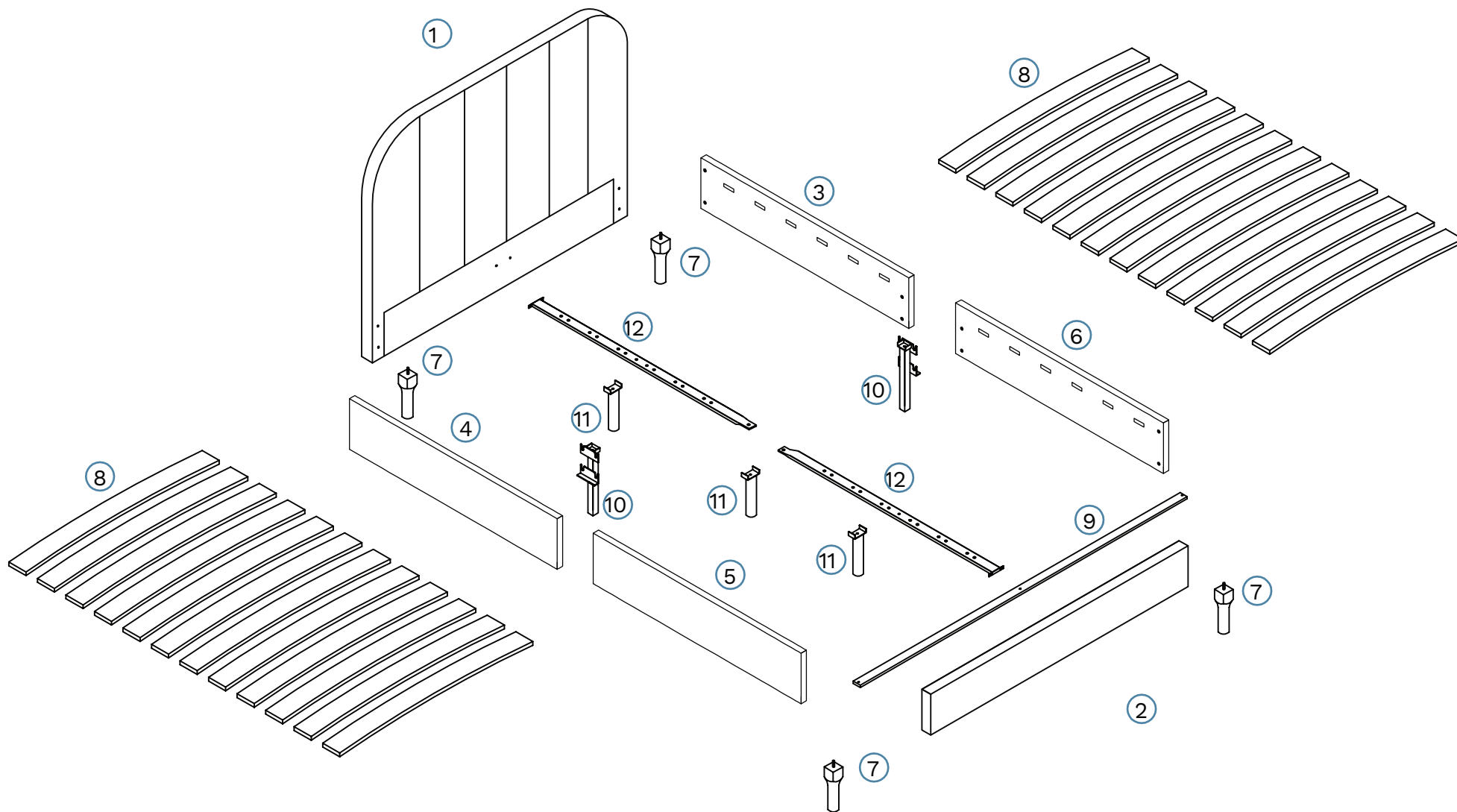
<b>A</b>	<b>B</b>	<b>C</b>	<b>D</b>	<b>E</b>
				
double cap x12	25mm bolt x8	spring washer x8	washer x8	25mm bolt x4
<b>F</b>	<b>H</b>	<b>L</b>	<b>R</b>	
				
20mm bolt x20	35mm bolt x1	left plate x2	right plate x2	
<b>T2</b>	<b>T3</b>			
				
small allen key x1	large allen key x1			

Hardware Supplied

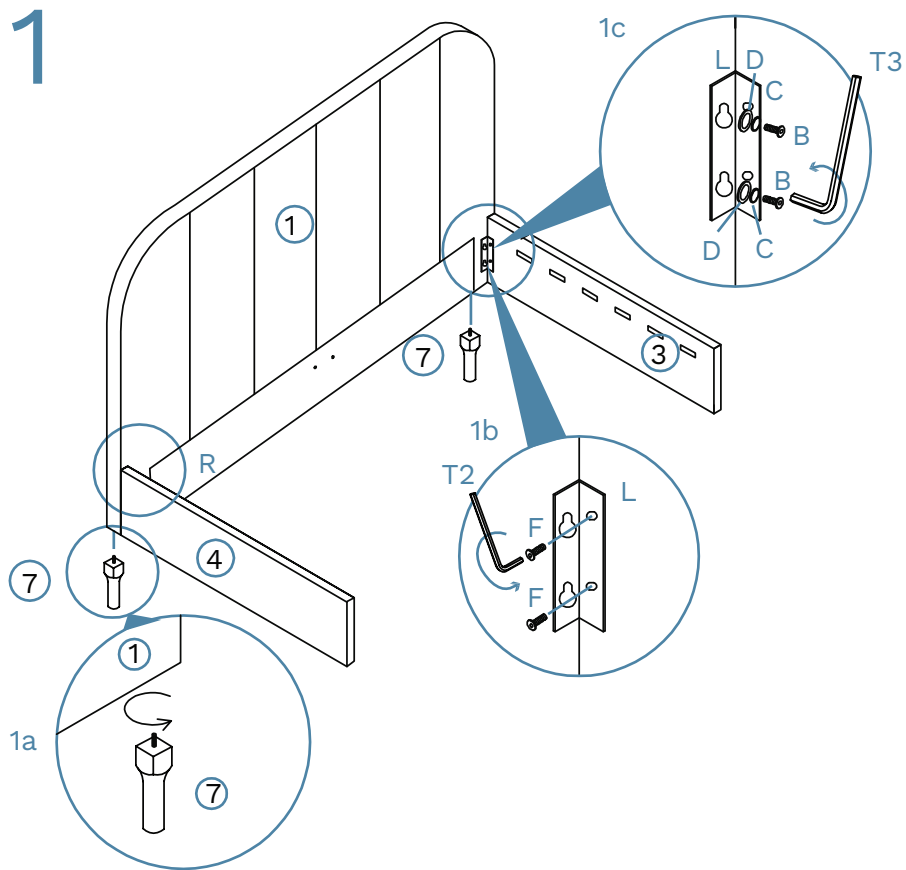


**\*IMPORTANT NOTICE\***  
 When moving the bed, please lift off the ground with two people. DO NOT drag, push or pull the bed across the floor, as this can result in damage to the supporting leg.

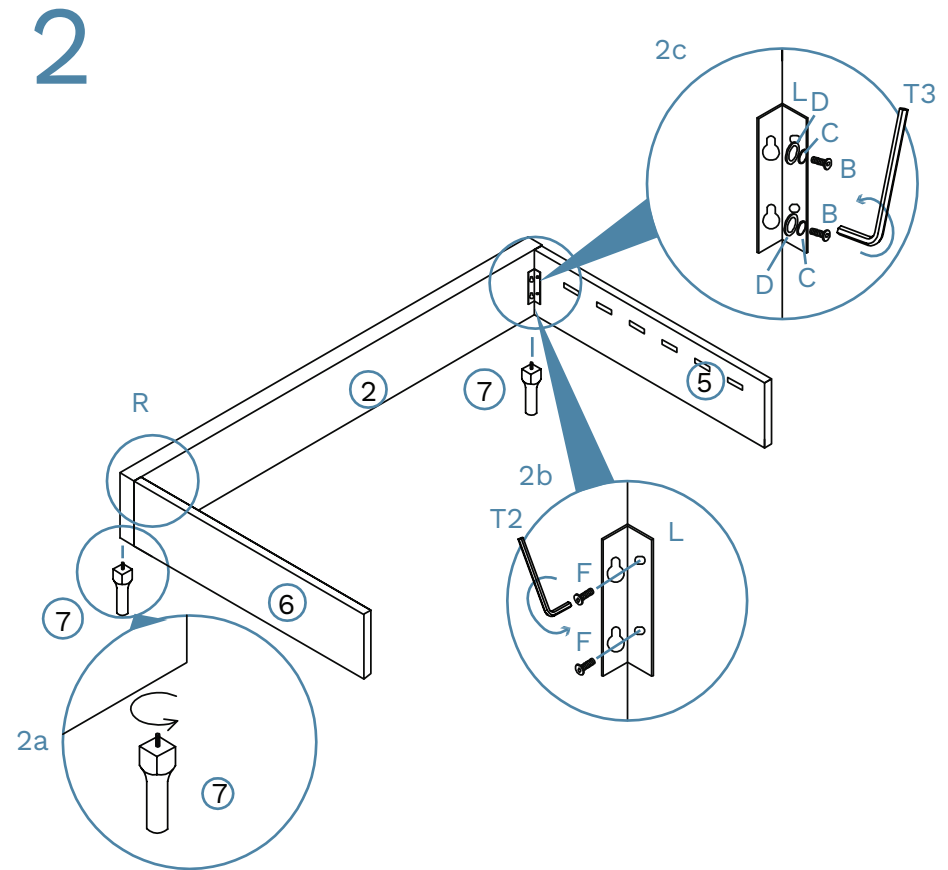
# Belinda Kids Single & King Single Bed



# Belinda Kids Single & King Single Bed



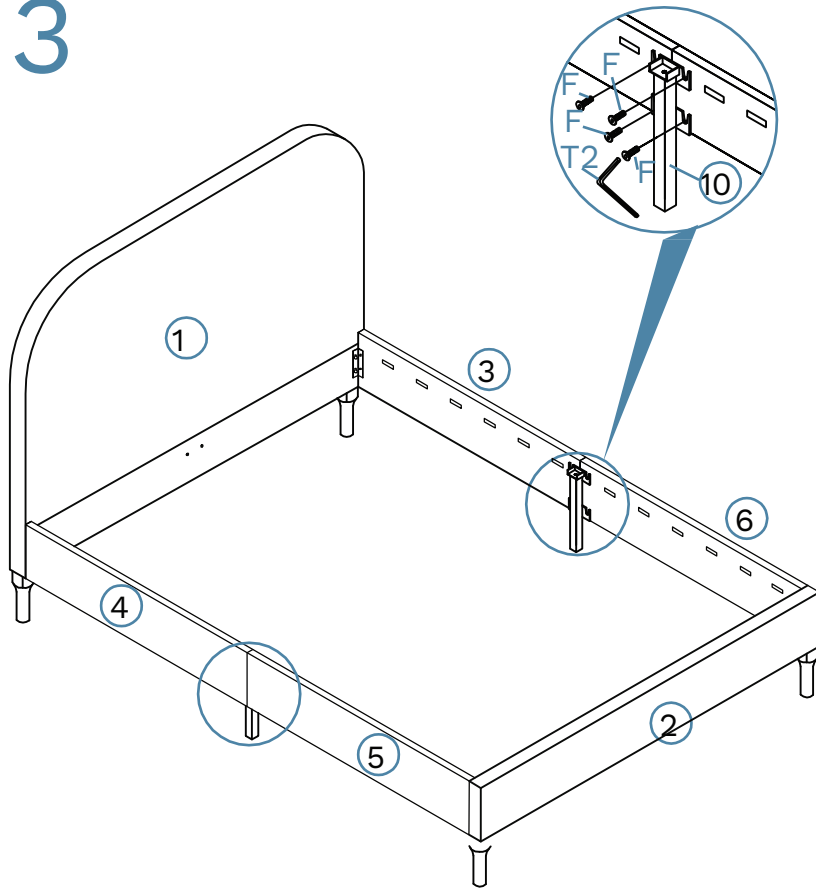
- 1a:** Attach 2x legs[7] to panel[1] as shown.
- 1b:** Attach 1x left plate(L) to panel[3] and 1x right plate(R) to panel[4] and secure with 4x 20mm bolts(F). Tighten with Allen Key (T2).
- 1c:** Attach panels[3] and panels[4] to panel[1] as shown and secure with 4x spring washers(C), 4x washers(D) and 4x 25mm bolts(B). Tighten with Allen Key (T3).



- 2a:** Attach 2x legs[7] to panel[2] as shown.
- 2b:** Attach 1x left plate(L) to panel[5] and 1x right plate(R) to panel[6] and secure with 4x 20mm bolts(F). Tighten with Allen Key (T2).
- 2c:** Attach panels[5] and panels[6] to panel[2] as shown and secure with 4x spring washers(C), 4x washers(D) and 4x 25mm bolts(B). Tighten with Allen Key (T3).

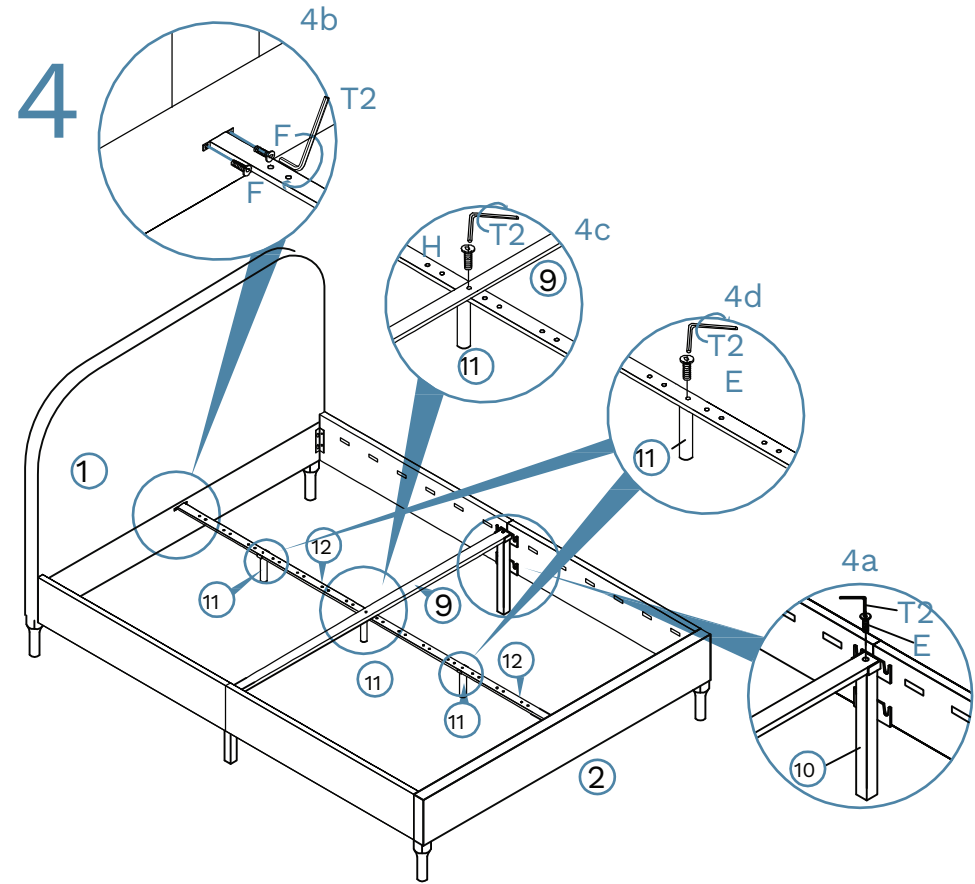
# Belinda Kids Single & King Single Bed

3



Join the side panel[3] & panel[6] and join the side panel[4] & panel[5] together with 2x connector leg(10) and secure with 8x 20mm bolts (F), Tighten with Allen Key (T2).

4



**4a:** Insert panel [9] and sit on top of the connector leg (10) and secure with 2x 25mm bolts (E). Tighten with Allen Key (T2).

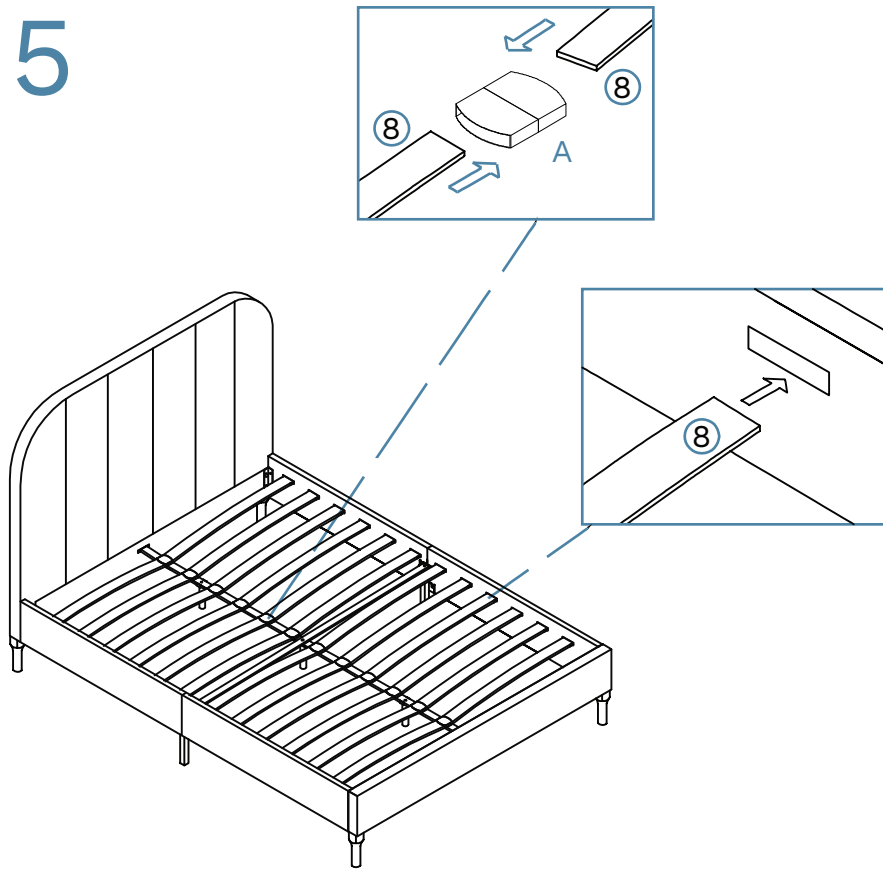
**4b:** Attach panels [12] to panels [1] and [2] and secure with 4x 20mm bolts (F) as shown. Tighten with Allen Key (T2).

**4c:** Attach panels [12] and [9] in the middle with 1x support leg [11] and secure with 1x 35mm bolt (H). Tighten with Allen Key (T2). making sure panels [12] are sitting under panel [9].

**4d:** Attach 2x support legs (11) to panels [12] as shown and secure with 2x 25mm bolts (E). Tighten with Allen Key (T2).

# Belinda Kids Single & King Single Bed

## 5



Take x 12 plank (8) and insert them into the slats down the inside of the right-hand side of the bed frame as shown. Then take x 12 plank (8) and insert them into the slats down the inside of the left-hand side of the bed frame as shown. Starting at the top of the bed insert both sides of slats into the double caps (A) as shown. Once all slats have been done then push/click the caps securely into place into the metal center piece.

## 6



Lift the bed into the desired location, do not drag, You're done, enjoy!