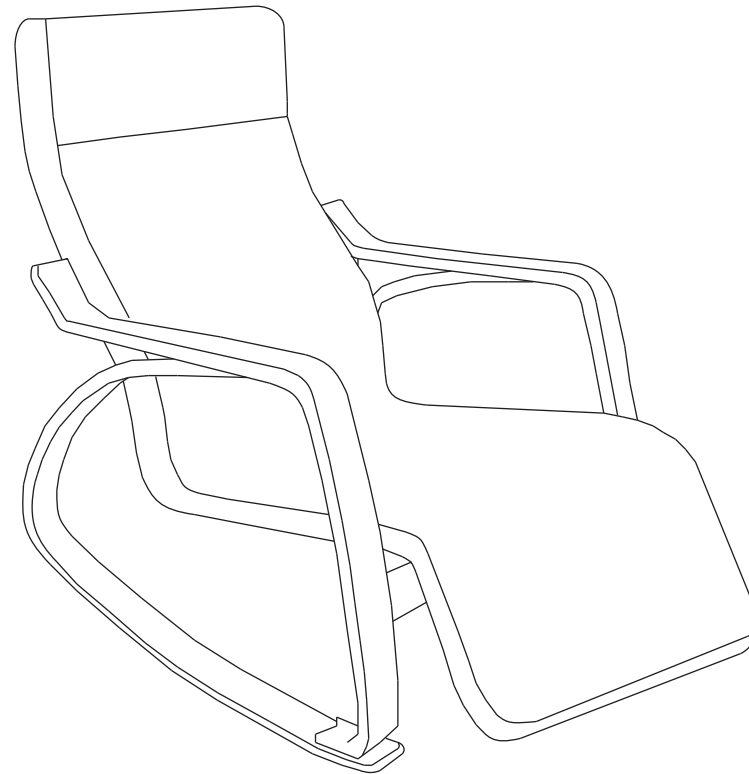
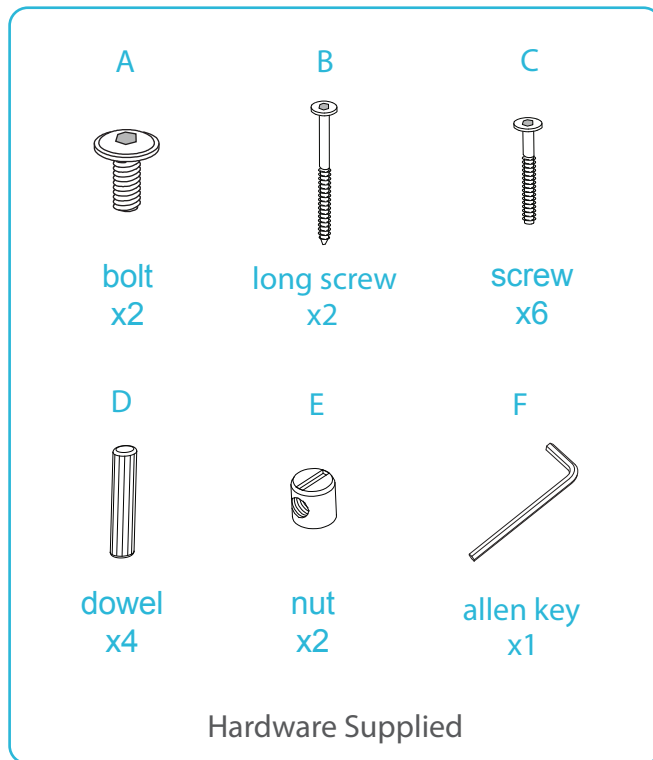


Asta Recline

Assembly Instructions

Thank you for your purchase.
Please follow the instructions below for correct assembly.

mocka

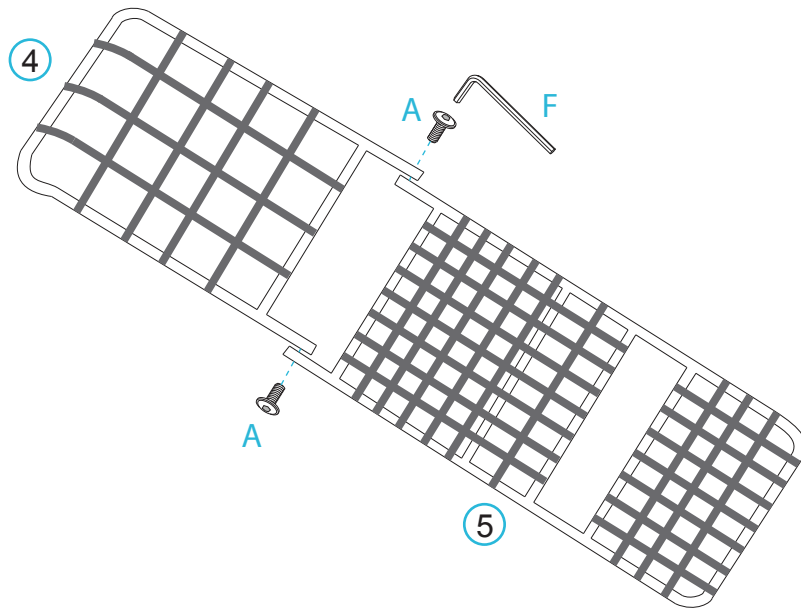


Asta Recline

Assembly Instructions

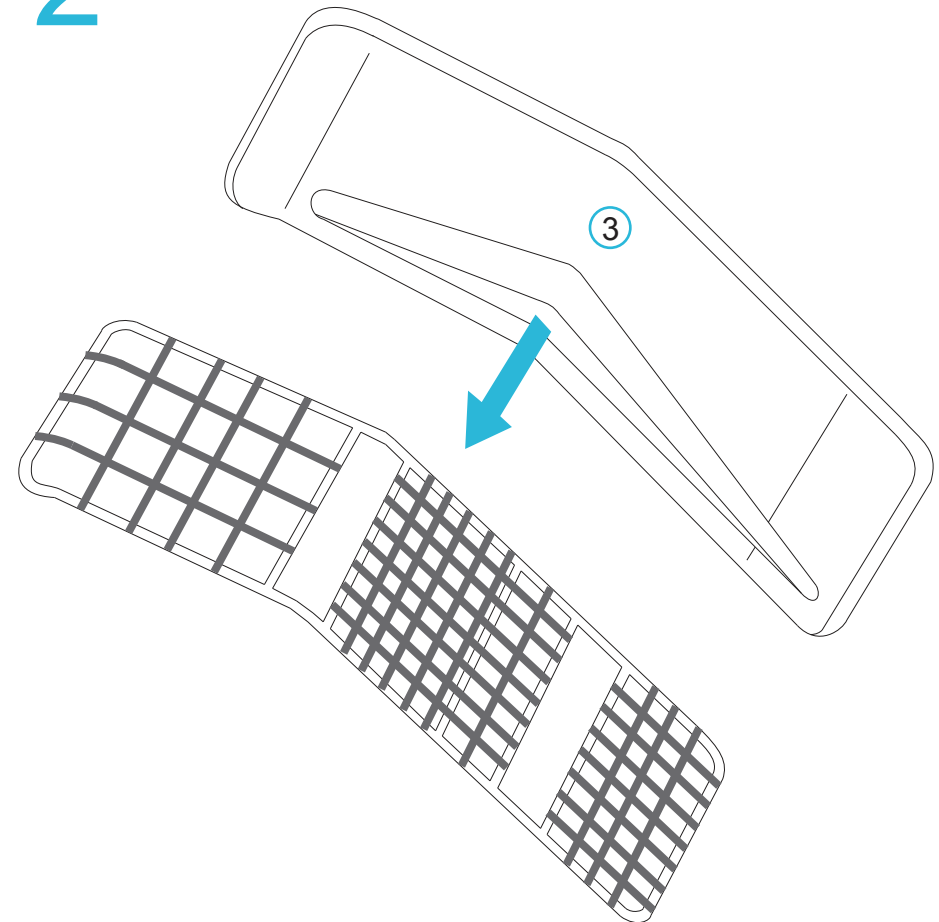
mocka

1



On parts [4] and [5], the arrows on the frames point in the direction it should be facing (upwards). Attach part [4] to [5] using 2x bolts (A). Tighten with the allen key (F).

2



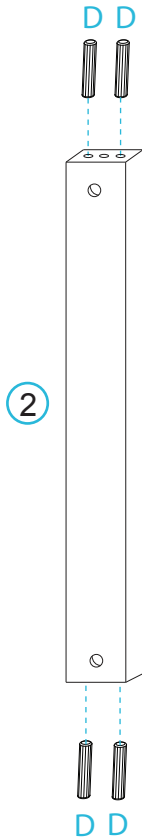
Place the assembled frame inside the cover [3], ensuring the arrows in the frame point away from the zip i.e. into the inside of the cover. Note: the cover zips up from the back.

Asta Recline

Assembly Instructions

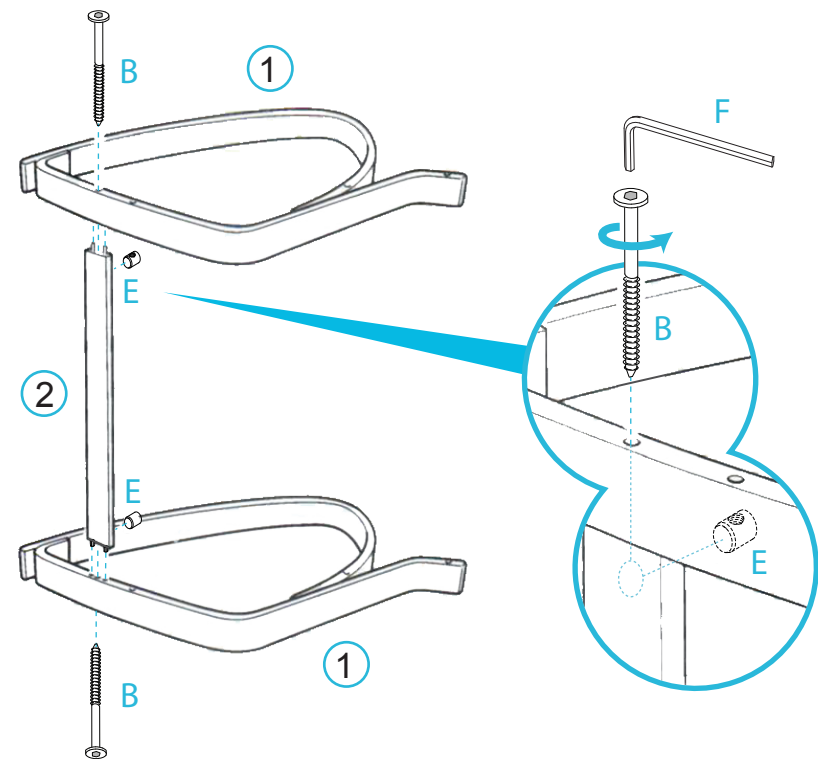
mocka

3



Insert 4x dowels (D) into panel [2] as shown.

4



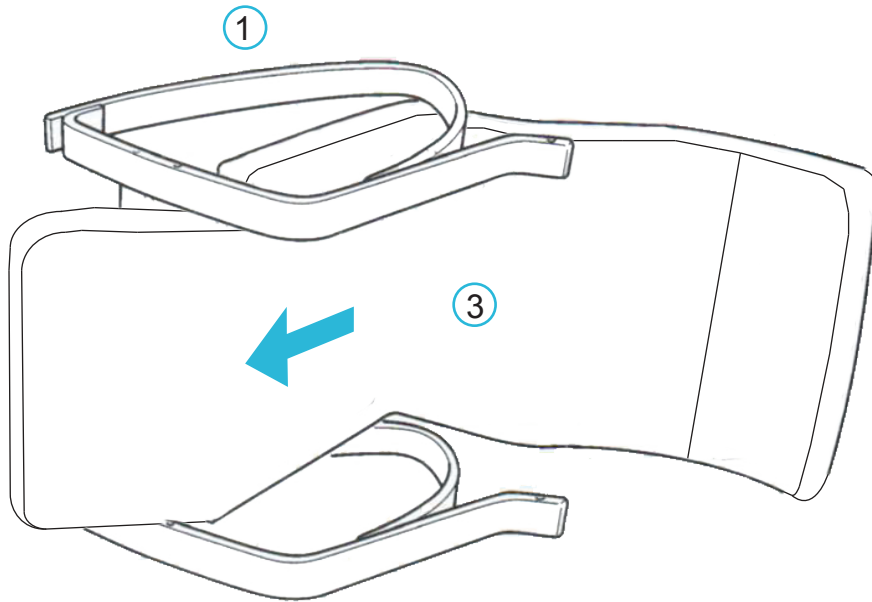
Attach panel [2] to the chair legs [1] using 2x long screws (B) and secure with 2x nuts (E).

Asta Recline

Assembly Instructions

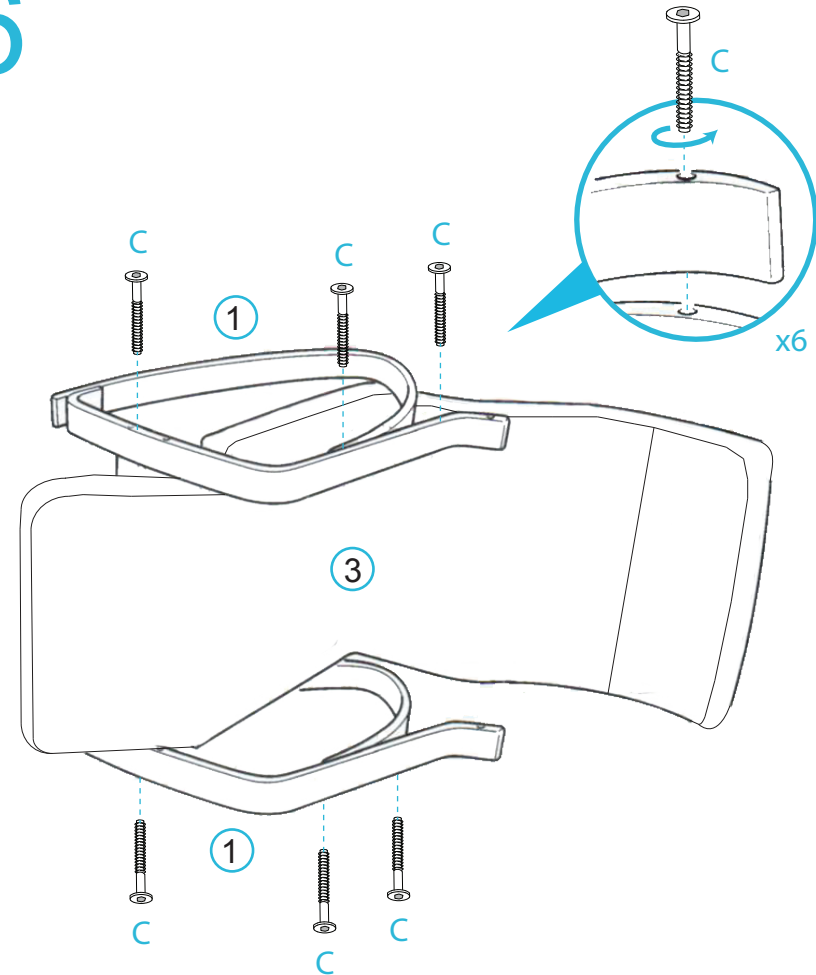
mocka

5



Position the chair body [3] between the chair legs [1].

6



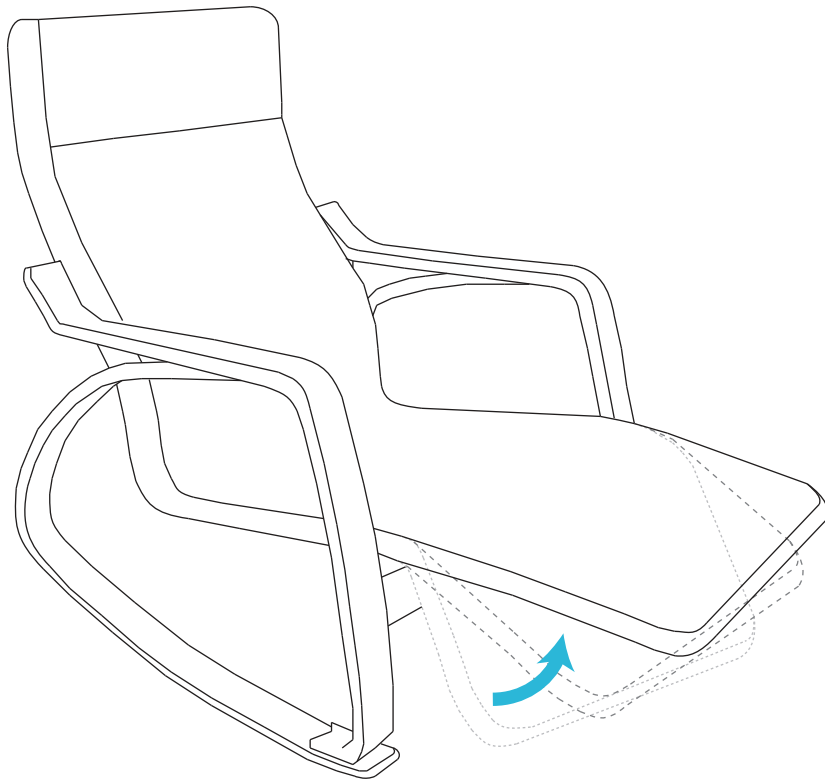
Attach the chair body [3] to the chair legs [1] as shown, using 6x screws (C). Ensure the holes in the metal frame match up with the eyelets on the cover. Tighten with the allen key (F).

Asta Recline

Assembly Instructions

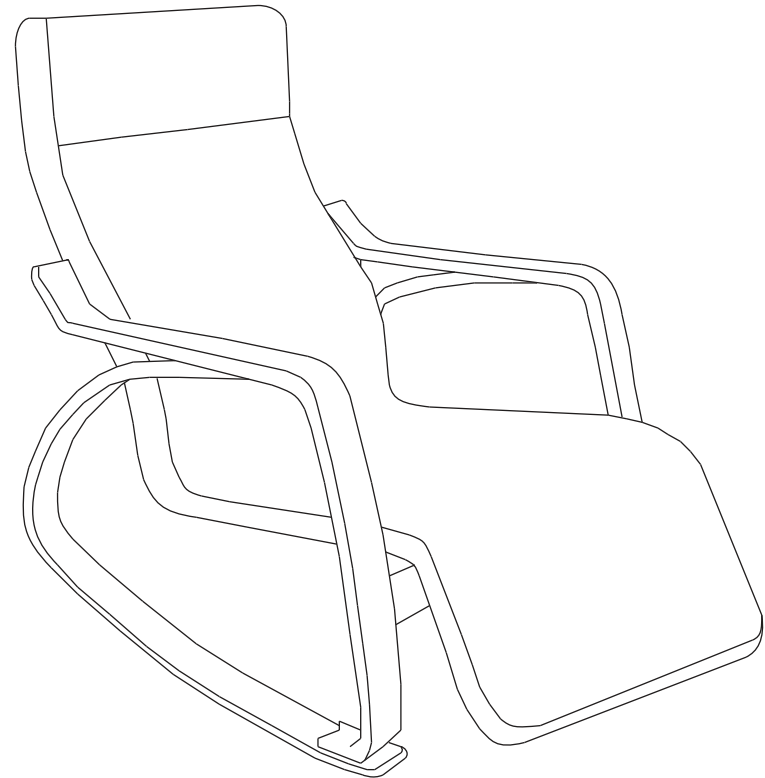
mocka

7



Once assembled lift the footrest and click into the desired position. To lower the footrest, pull upwards and push down.

8



You're done, enjoy!