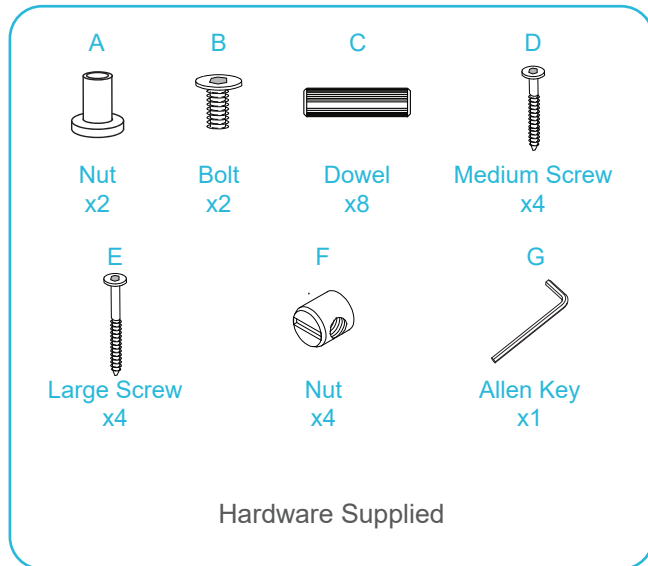


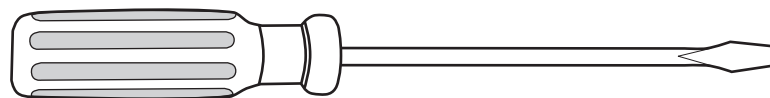
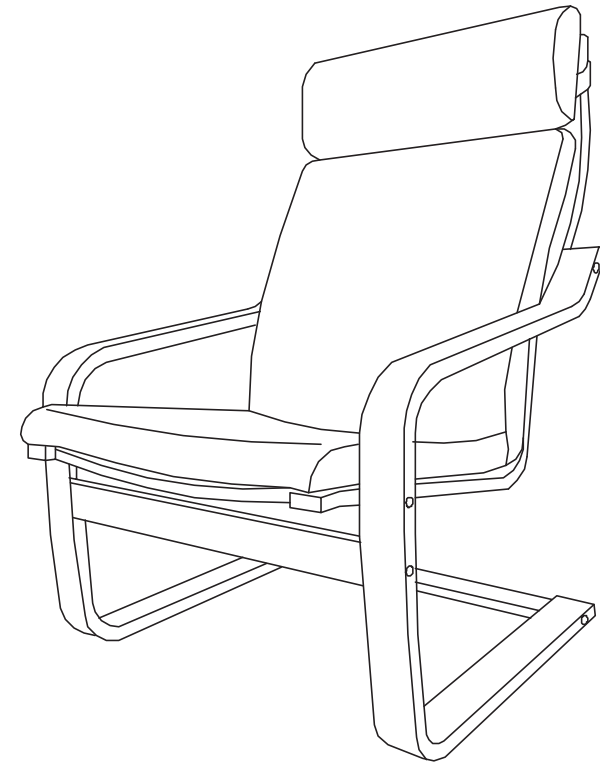
Asta Luxe Chair

Assembly Instructions

Thank you for your purchase.
Please follow the instructions below for correct assembly.



mocka



Flathead screwdriver required.

CARE INSTRUCTIONS

SPOT CLEAN ONLY WITH CLEAN, DAMP, UNDYED CLOTH
REMOVE ALL LIQUID AND FOOD SPILLS IMMEDIATELY
PROTECT FROM DIRECT SUNLIGHT & HEAT

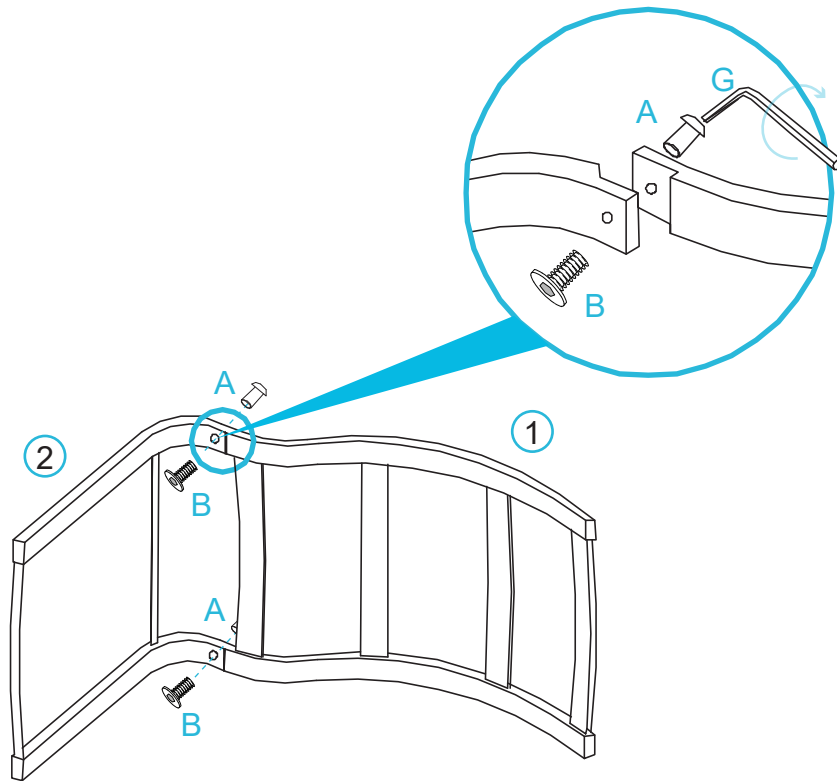
During use regularly check screws to ensure they are tight for safety.

Asta Luxe Chair

Assembly Instructions

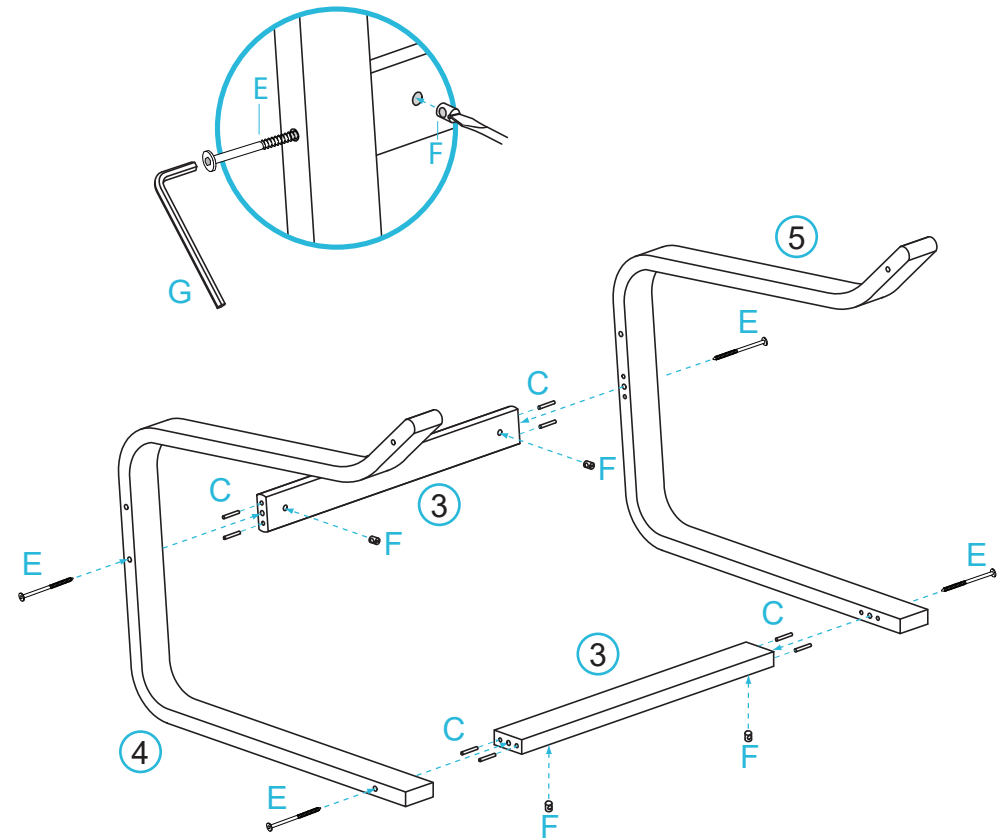
mocka

1



Attach the chair seat [2] to the backrest [1] using 2 x Bolts (B) and secure with 2 x Nuts (A). Tighten with an Allen Key (G).

2



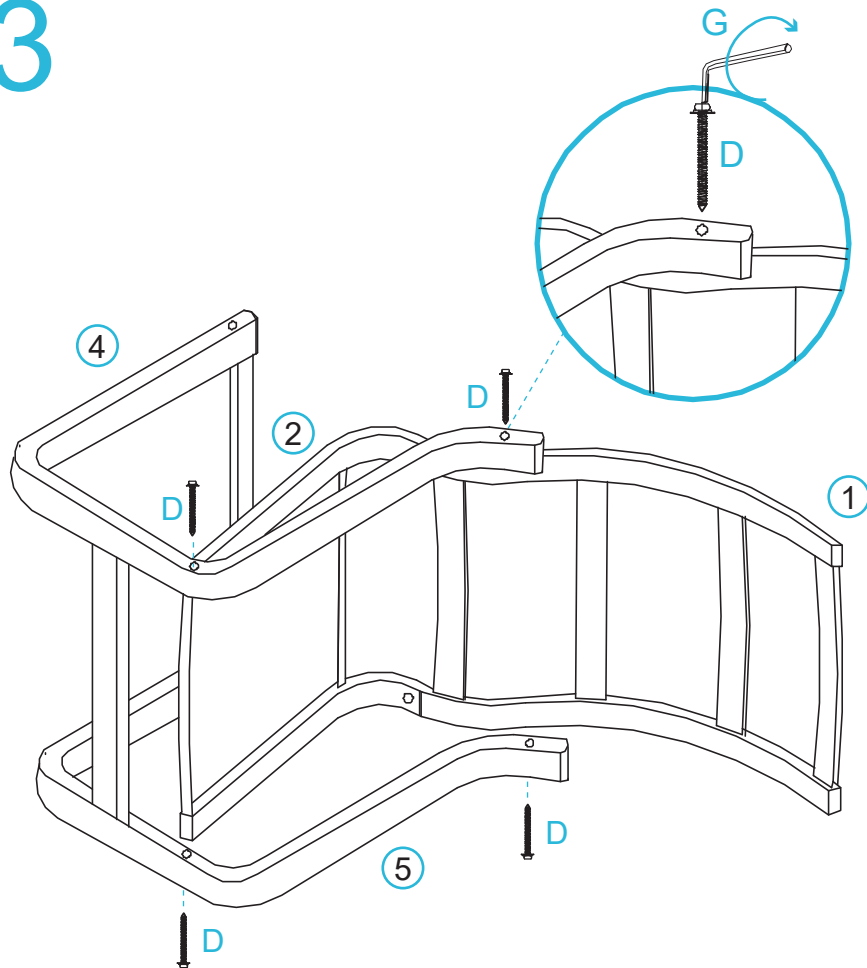
Attach chair legs [4] and [5] to supports [3] using 8 x Dowels (C), 4 x Nuts (F) and 4 x Large Screws (E). Tighten with an Allen Key (G).

Asta Luxe Chair

Assembly Instructions

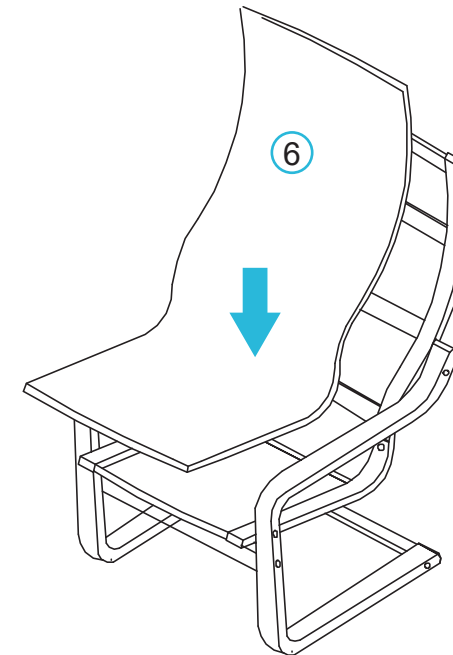
mocka

3



Slide the seat between the chair legs ensuring holes in the seat line up with the corresponding holes in the chair legs. Secure with 4x medium screws (D). Tighten with allen key (G).

4



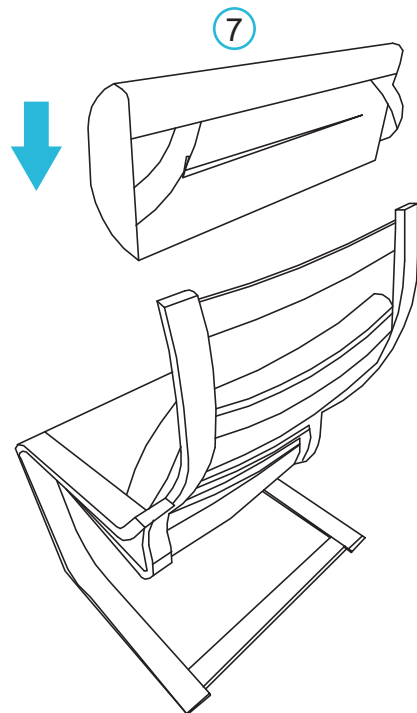
Attach the seat cushion [6] to the chair frame using the velcro strips, ensuring the velcro on the seat cushion and the chair click into place.

Asta Luxe Chair

Assembly Instructions

mocka

5



Attach the head rest [7] to the chair frame using the velcro strips, making sure to fold the two tabs over the top support on the chair frame to secure it into place. You're done, enjoy!