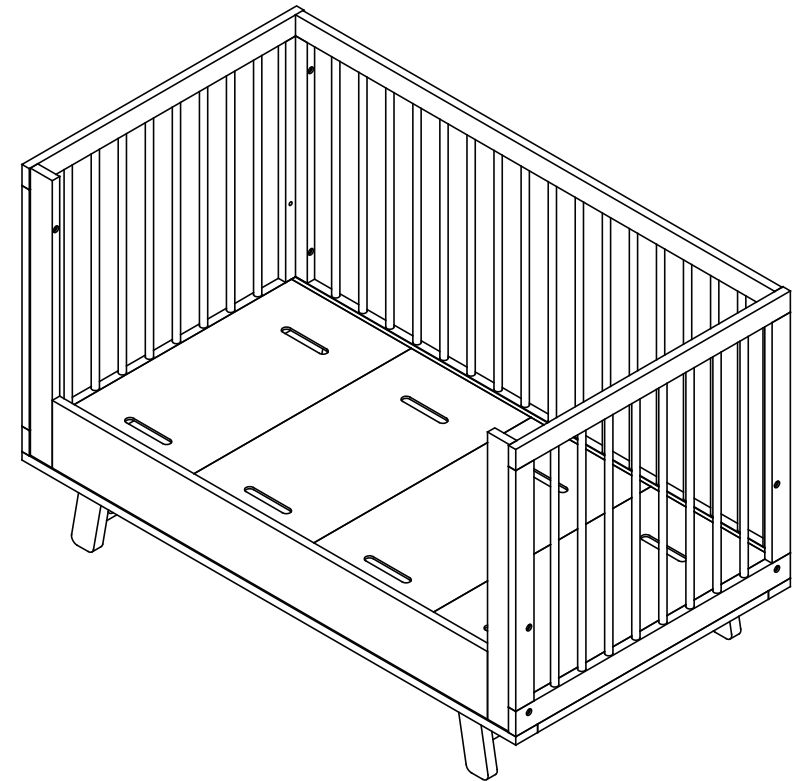
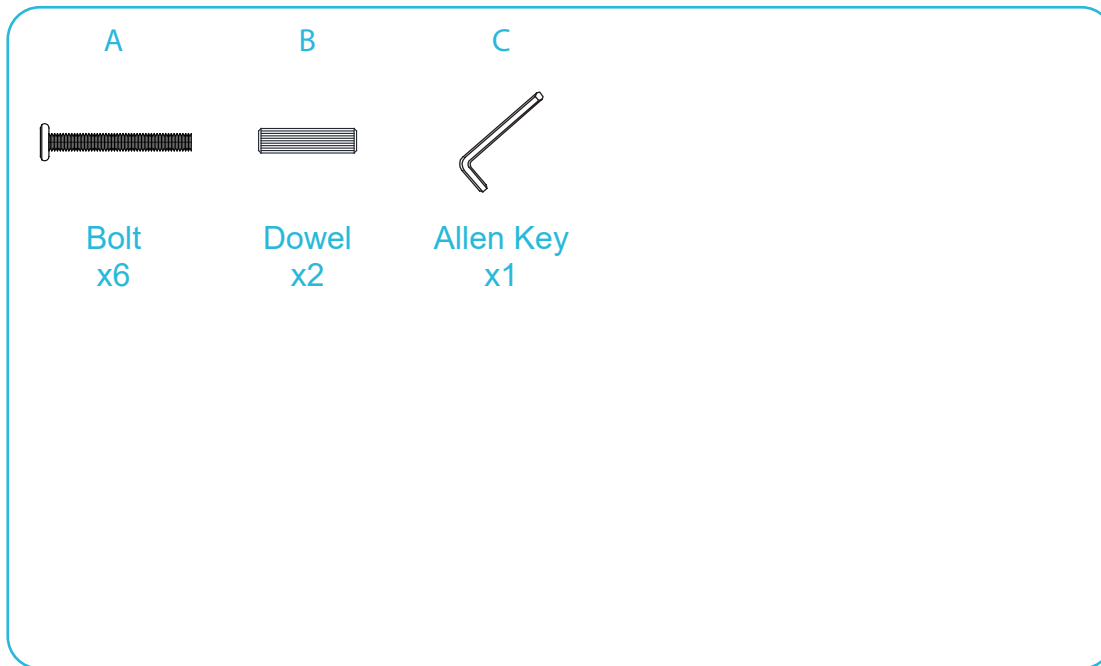


Aspen Cot Toddler Bed Conversion

Assembly Instructions

mocka

Thank you for your purchase.
Please follow the instructions below for correct assembly.



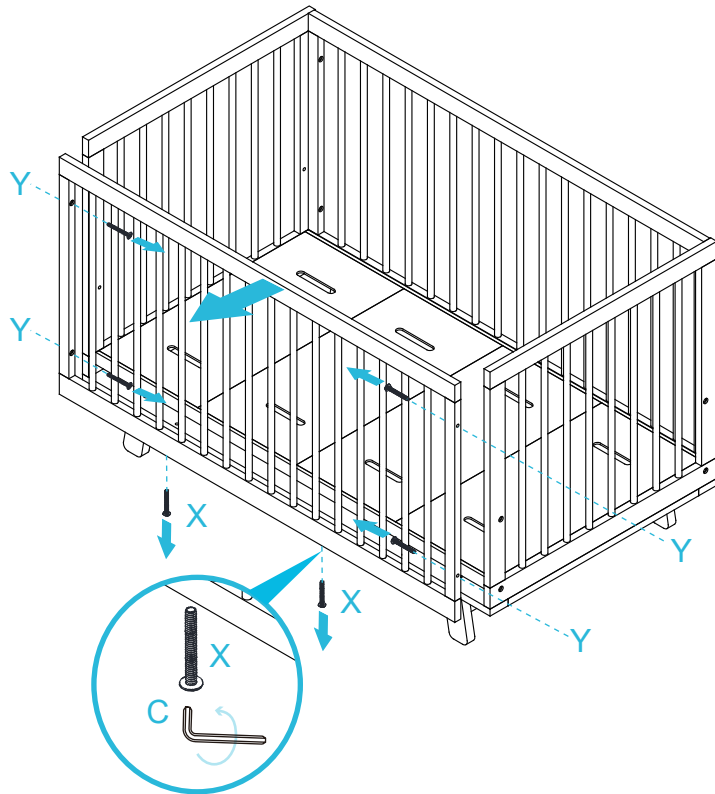
(COT NOT INCLUDED)

Aspen Cot Toddler Bed Conversion

Assembly Instructions

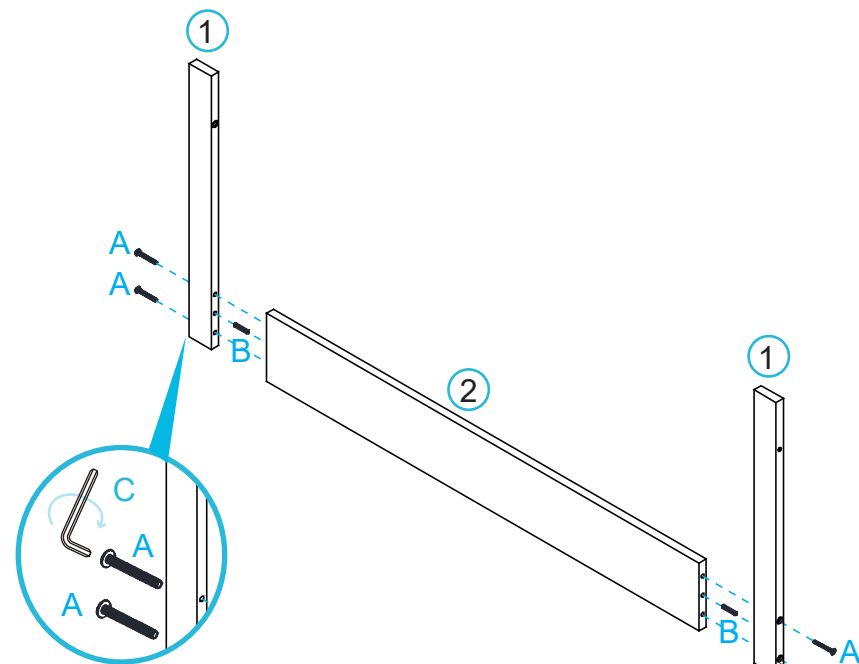
mocka

1



Remove the X and Y screws already installed in the cot with an Allen Key (C). Please hold onto the X screws as you will need these to install the conversion.

2



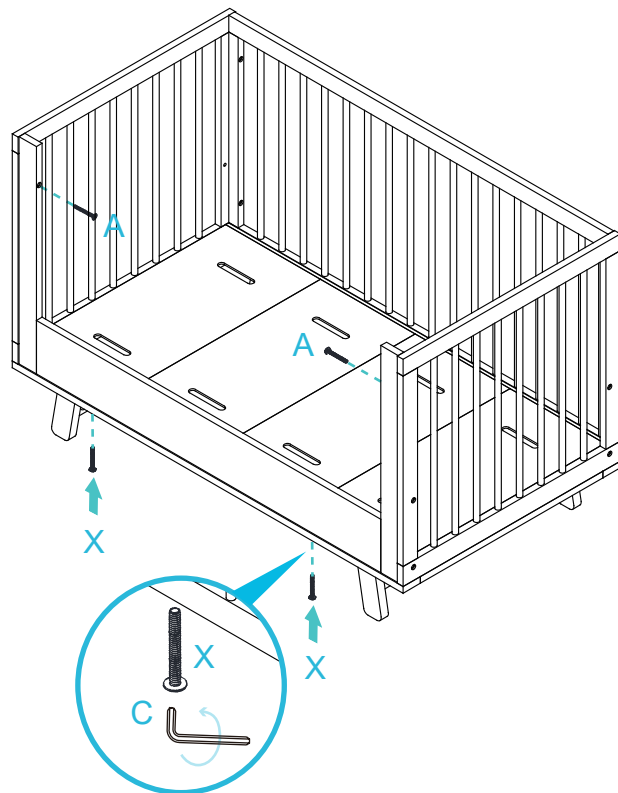
Insert 2 x Dowels (B) into Panel [2]. Attach Panels [1] to Panel [2] and secure with 4 x Bolts (A). Tighten with an Allen Key (C).

Aspen Cot Toddler Bed Conversion

Assembly Instructions

mocka

3



Attach the conversion to the cot and insert 2x (A) bolts as shown. Insert the (X) screws that were taken out of your cot through the underside of the cot side to finish installing your conversion. Tighten with an Allen key (C). You're done, enjoy!