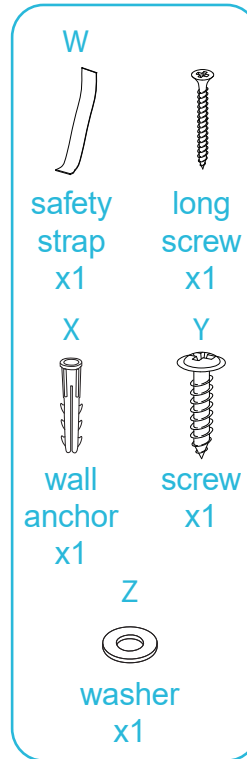
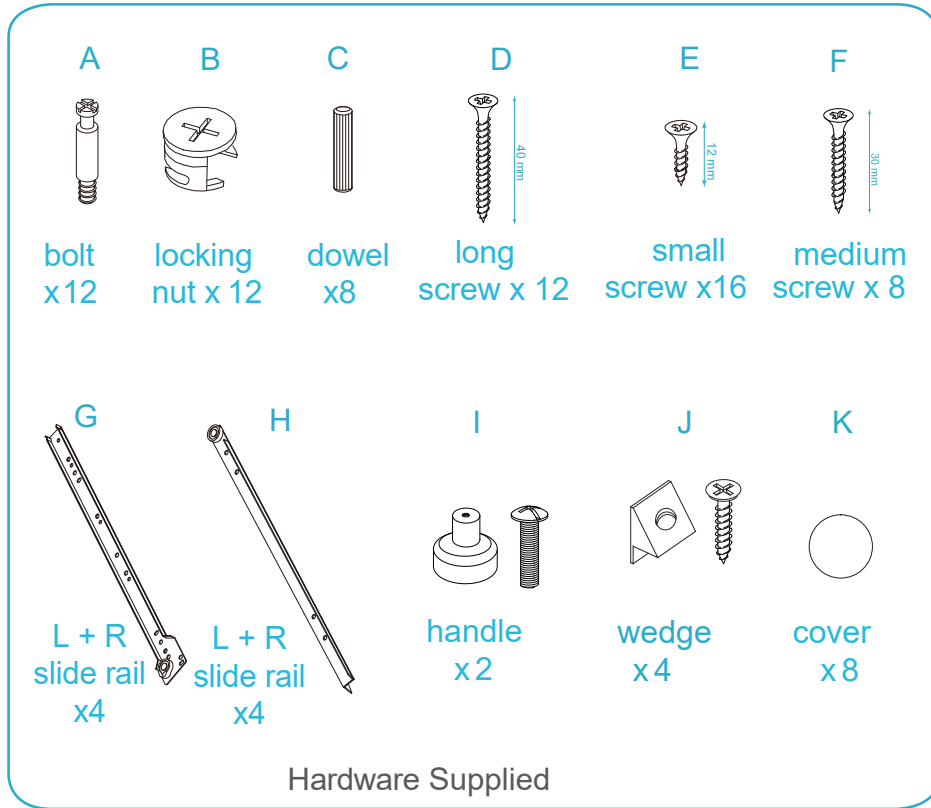


Aspen Bedside Table

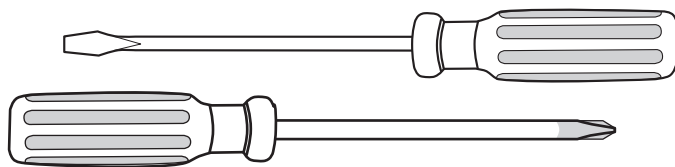
Assembly Instructions

Thank you for your purchase.
Please follow the instructions below for correct assembly.

mocka



WARNING: Any furniture that is not anchored to a wall has the potential to tip over in certain circumstances, i.e. if a child attempts to climb up on the furniture or in the event of an earthquake. Accordingly, we recommend that all furniture is anchored to a wall. We supply a free safety wall anchor with all furniture sold and we recommend these are used to prevent your product tipping. The fixing device provided should fit most wall types, but please note that different wall materials may require different fixing devices from those supplied.



Phillips & Flathead screwdrivers and hammer required

*We recommend using a Flathead screwdriver to tighten all locking nuts 100% before first use.

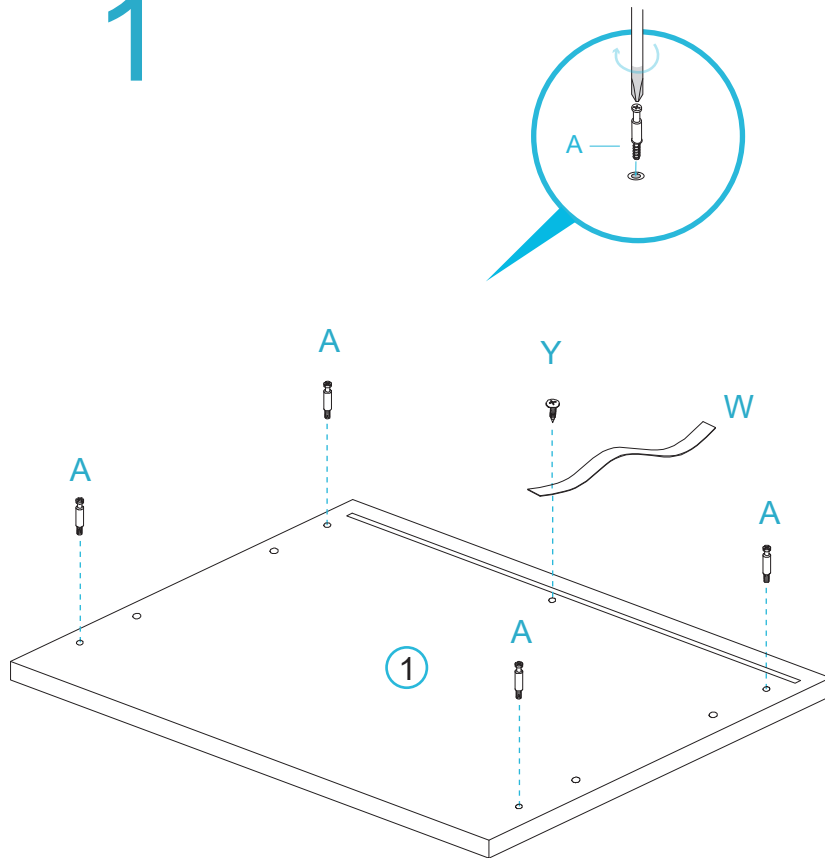
Aspen Bedside Table

Assembly Instructions

Thank you for your purchase.
Please follow the instructions below for correct assembly.

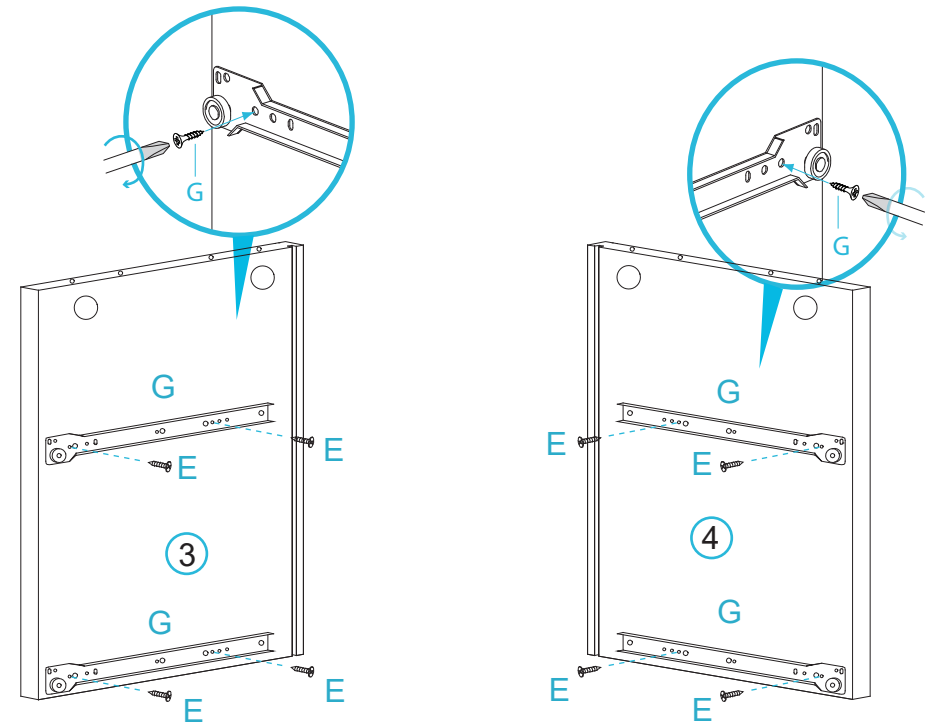
mocka

1



Attach 1 x wall strap (W) to panel [1] using 1x screw(Y).
Insert 4 x bolts (A) into panels [1]. Tighten with a screwdriver.

2



Attach 2 x left slide rails (G) to panel [3] and secure with 4 x small screws (E).
Attach 2 x right slide rails (G) to panel [4] and secure with 4 x small screws (E).
Tighten with a screwdriver.

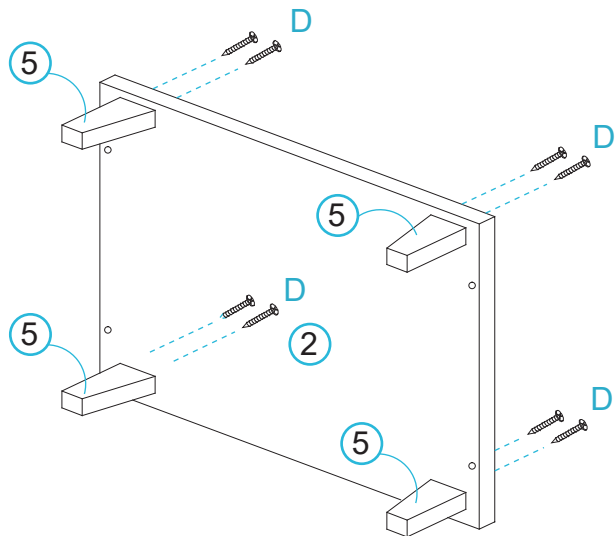
Aspen Bedside Table

Assembly Instructions

mocka

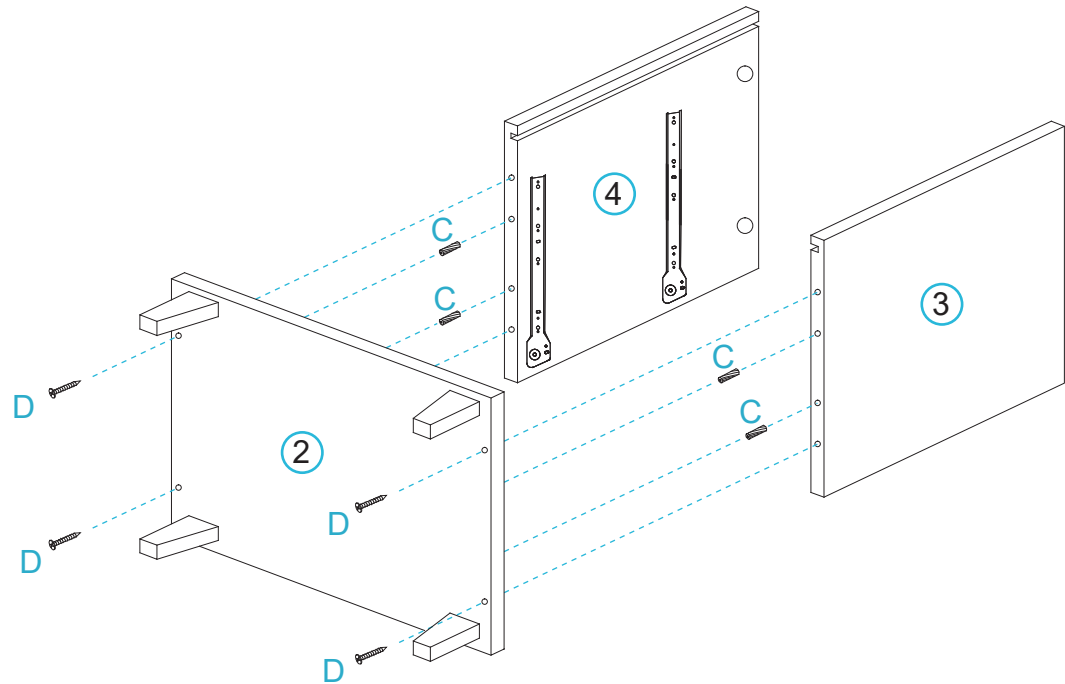
Thank you for your purchase.
Please follow the instructions below for correct assembly.

3



Attach panel [2] to panel [5] and secure with 8 x long screws (D).
Tighten with a screwdriver.

4



Insert 4 x dowels (C) into panels [3] and [4]. Attach panels [3] and [4] to panel [2] and secure with 4 x long screws (D). Tighten with a screwdriver.

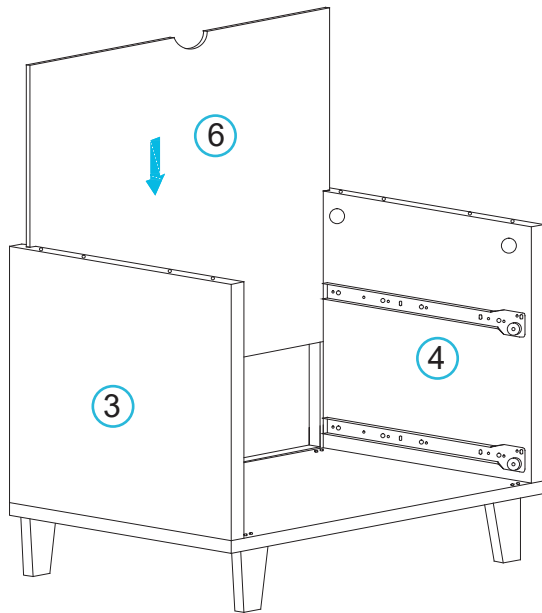
Aspen Bedside Table

Assembly Instructions

mocka

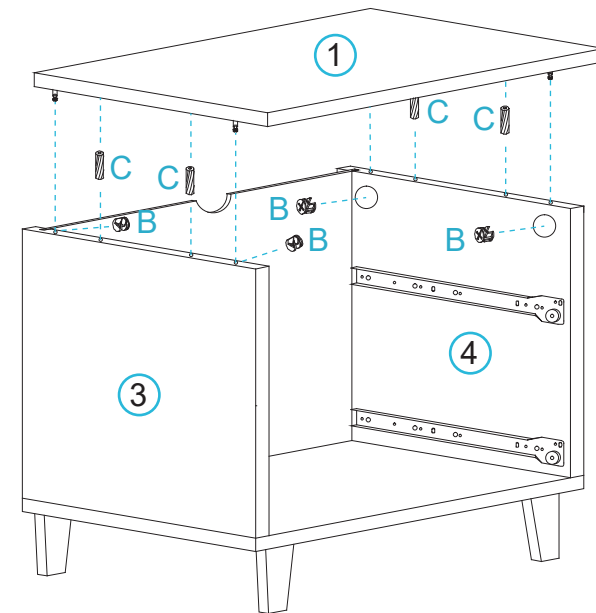
Thank you for your purchase.
Please follow the instructions below for correct assembly.

5



Slide panel [6] between the grooves on panels [3] and [4] to form the back of the unit as shown. Tighten with a screwdriver.

6



Insert 4 x dowels (C) into panels [3] and [4]. Attach panels [3] and [4] to panel [1] and secure with 4 x locking nuts (B). Tighten with a screwdriver.

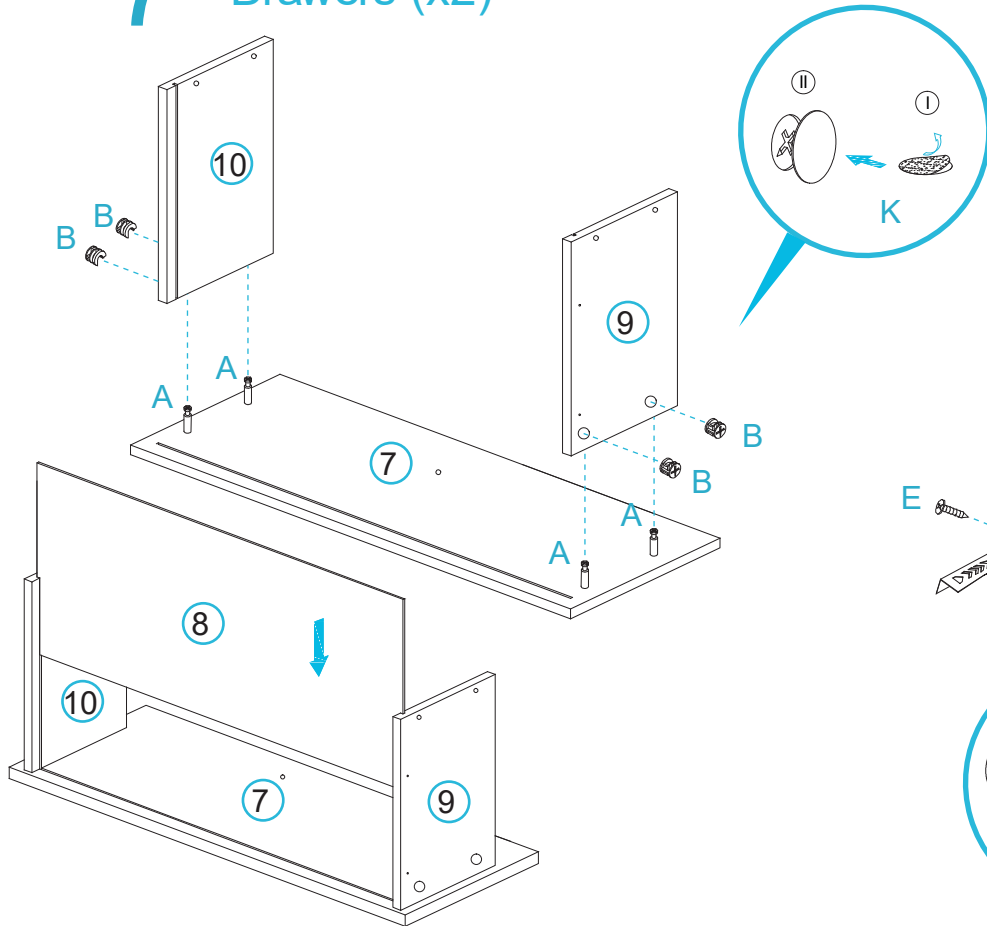
Aspen Bedside Table

Assembly Instructions

mocka

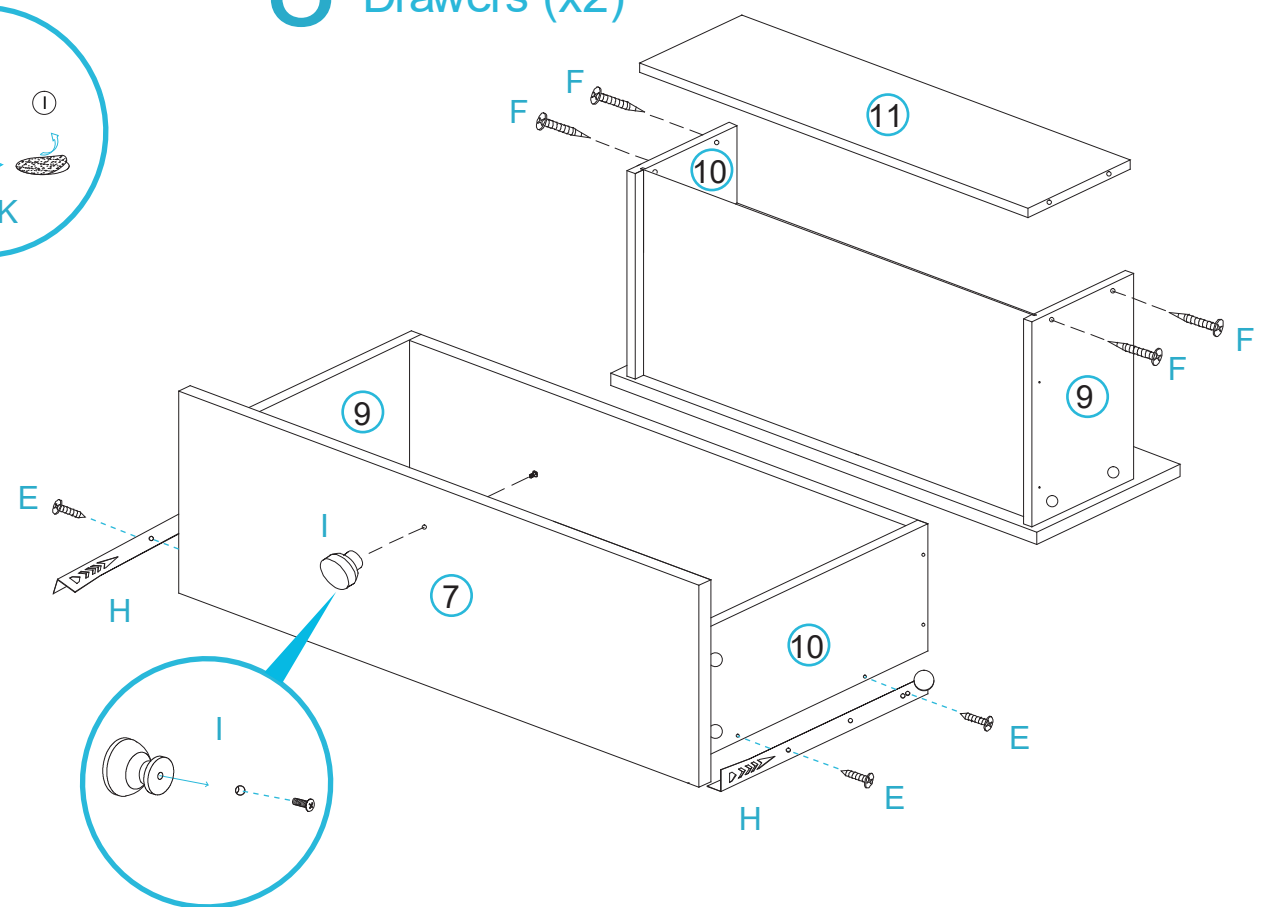
Thank you for your purchase.
Please follow the instructions below for correct assembly.

7 Drawers (x2)



Insert 8 x bolts (A) into panels [7]. Attach panels [9] and [10] to panels [7] secure with 8 x locking nuts (B). Cover locking nuts (B) with 8 x covers (K). Slide panels [8] between the grooves on panels [9] and [10] to form the base of the drawer as shown. Tighten with a screwdriver.

8 Drawers (x2)



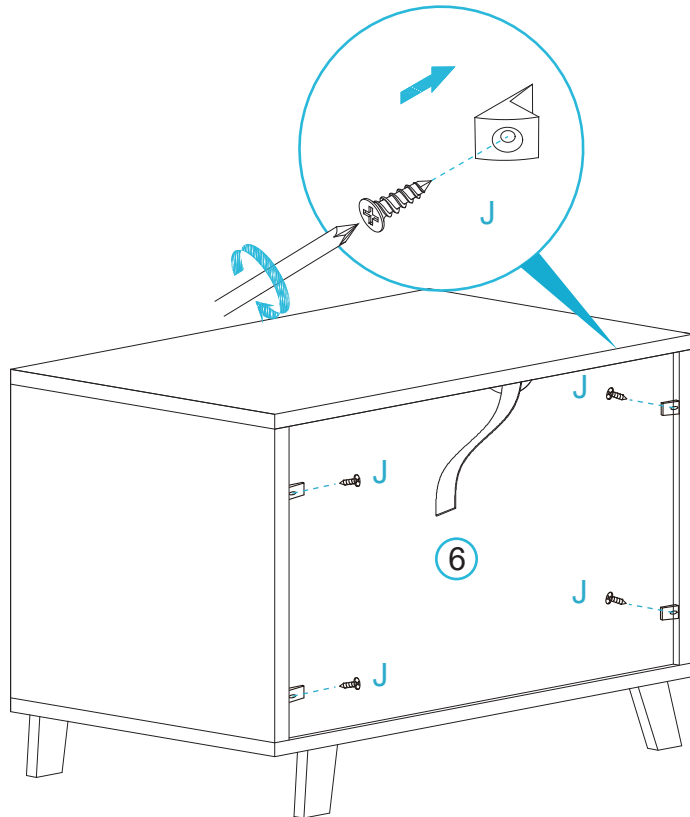
Attach panels [11] to panels [9] and [10] Secure with 8 x medium screws (F). Attach 4 x slide rails (H) to panels [9] and [10] and secure with 8 x small screws (E). Insert 2 x handle (I) into panels [7].

Aspen Bedside Table

Assembly Instructions

Thank you for your purchase.
Please follow the instructions below for correct assembly.

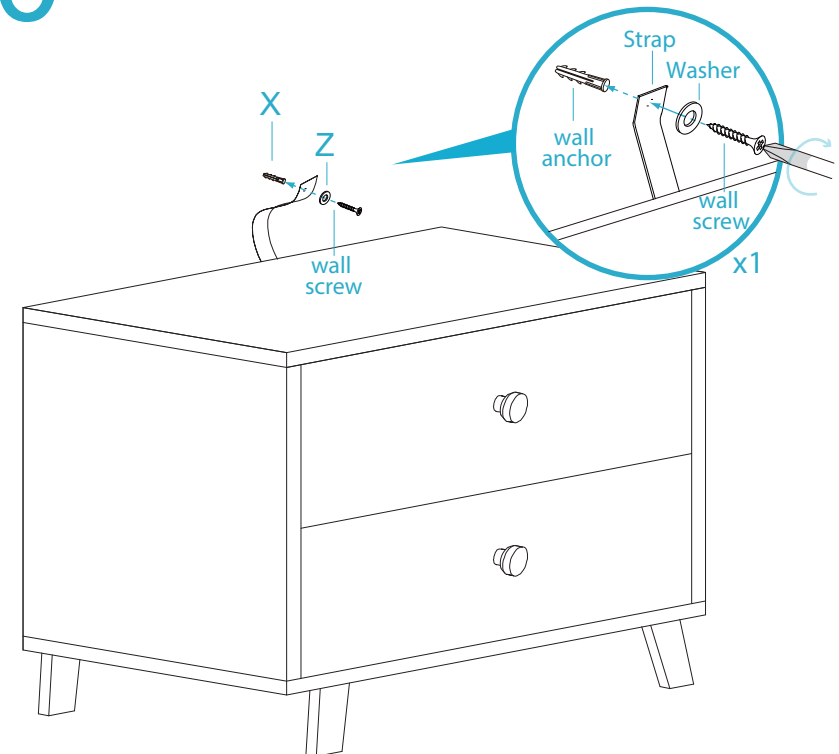
9



Attach 4 x wedges (J) to panel [6]. Tighten with a screwdriver.

mocka

10



Once assembled lift furniture into place, do not drag. Use a drill to create a small hole lining up with the top of the safety strap (W). Fasten to wall using wall anchor (X), washer (Z) and screw. Ensure the unit is balanced and steady before use. You're done, enjoy!