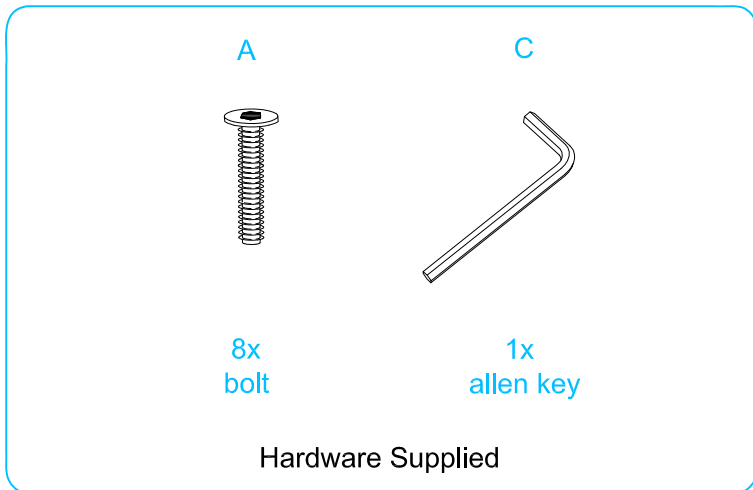


Annie Kids Round Table

Assembly Instructions

Thank you for your purchase.
Please follow the instructions below for correct assembly.



WARNING

Not suitable for children under 3 years of age.
Suitable for children aged 3 to 6 years.

Once fully assembled please ensure all legs are sitting flush against the table underside to ensure stability. Do not over-tighten bolts.

To ensure longevity of the wood please use a damp cloth only for cleaning. Avoid use of household cleaners.

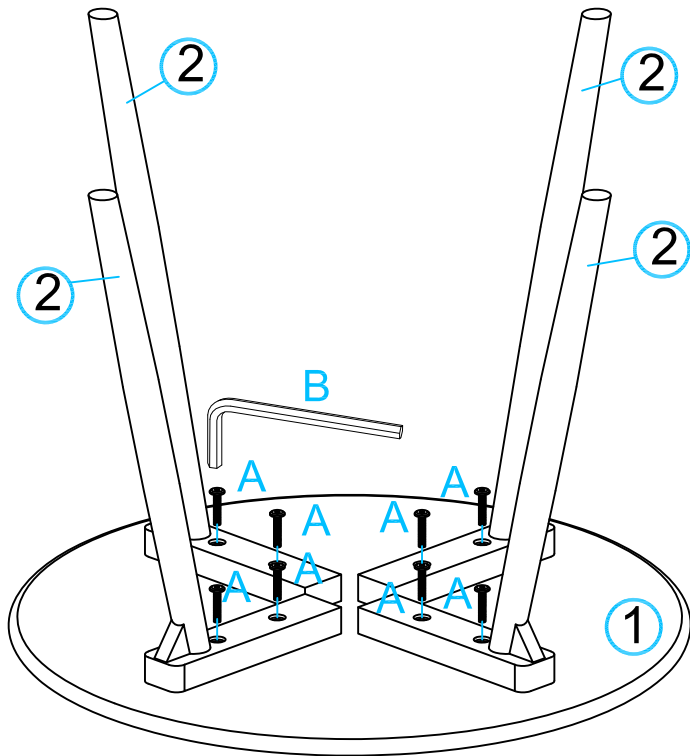
mocka



Annie Kids Round Table

Assembly Instructions

1



Attach 4x legs [2] to top panel [1] with 8x bolts (A). Tighten all bolts with allen key (B).

2



Turn the table over.
You're done, enjoy!