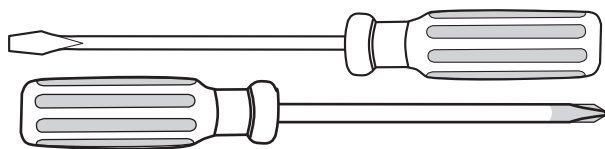
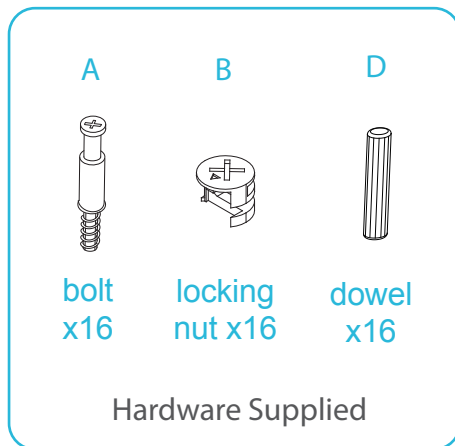


Luna Cube 4

ASSEMBLY INSTRUCTIONS

mocka

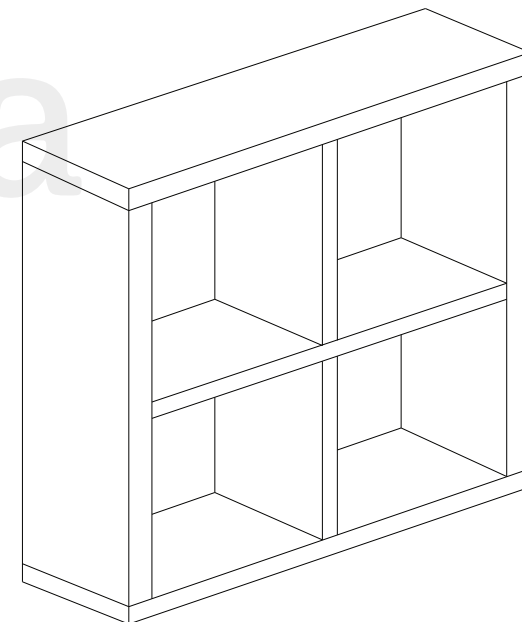
Thank you for your purchase.
Please follow the instructions below for correct assembly.



Phillips & Flathead screwdrivers required



WARNING: Any furniture that is not anchored to a wall has the potential to tip over in certain circumstances, i.e. if a child attempts to climb up on the furniture or in the event of an earthquake. Accordingly, we recommend that all furniture is anchored to a wall. We supply a free safety wall anchor with all furniture sold and we recommend these are used to prevent your product tipping. The fixing device provided should fit most wall types, but please note that different wall materials may require different fixing devices from those supplied.



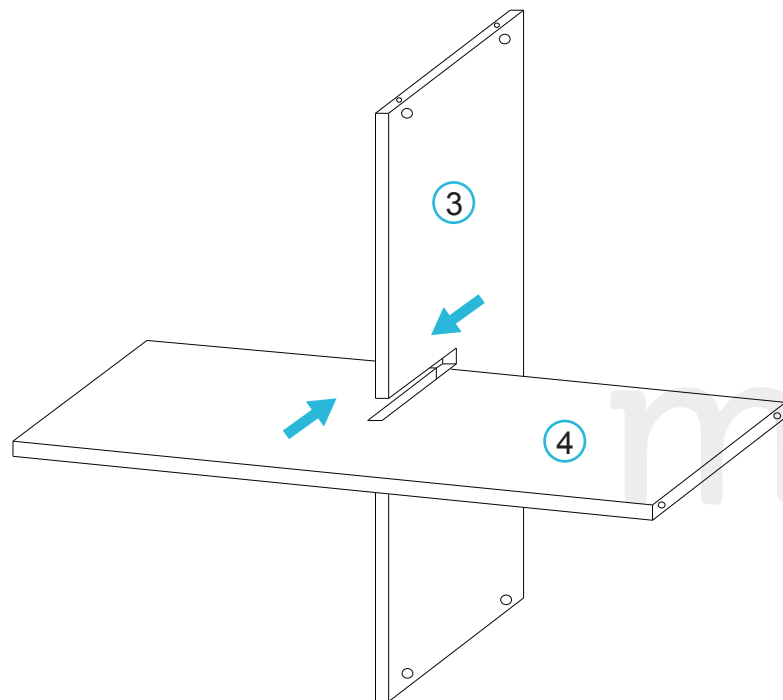
*We recommend using a Flathead screwdriver to tighten all locking nuts 100% before first use.
Please clear any loose wood from the locking nut holes before inserting the nut to ensure it locks 100%.

Luna Cube 4

ASSEMBLY INSTRUCTIONS

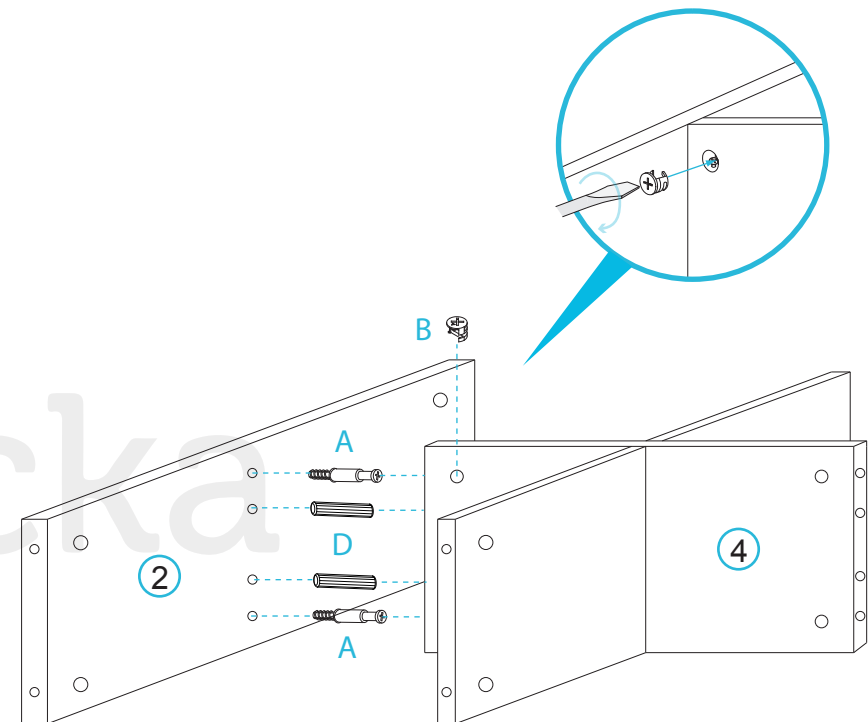
mocka

1



Slot one panel [3] into the groove of panel [4] to form the internal walls.

2

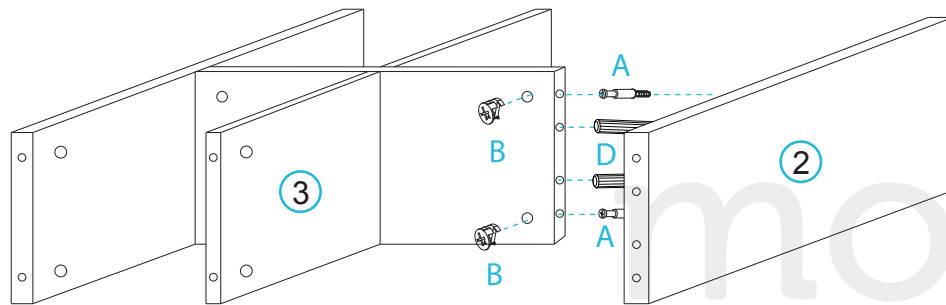


Insert 2x bolts (A) and 2x dowels (D) into the side panel [2]. Attach to panel [4] with 2x locking nuts (B) and tighten with a screwdriver.

Luna Cube 4

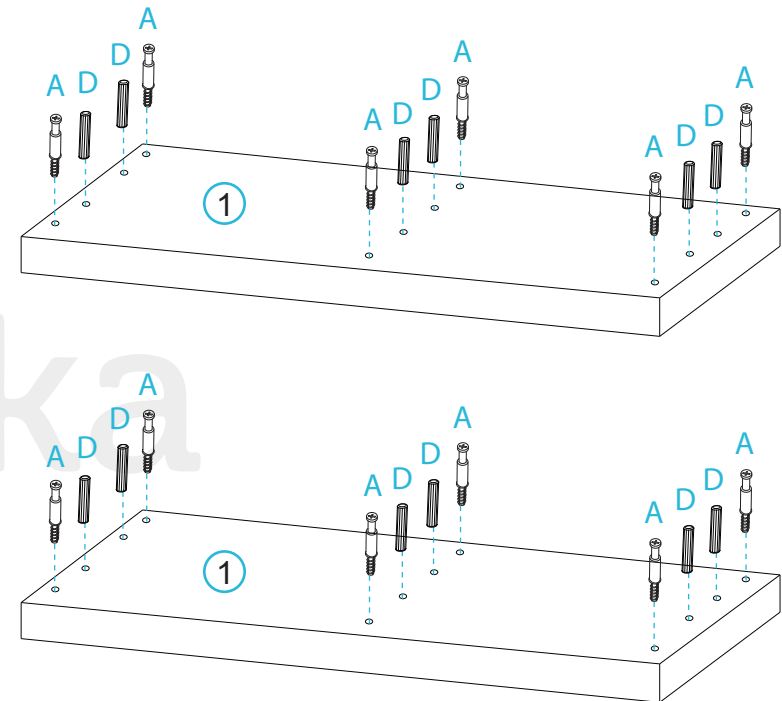
ASSEMBLY INSTRUCTIONS

3



Insert 2x bolts (A) and 2x dowels (D) into the side panel [2]. Attach the rest of the unit with 2x locking nuts (B) and tighten with a screwdriver.

4



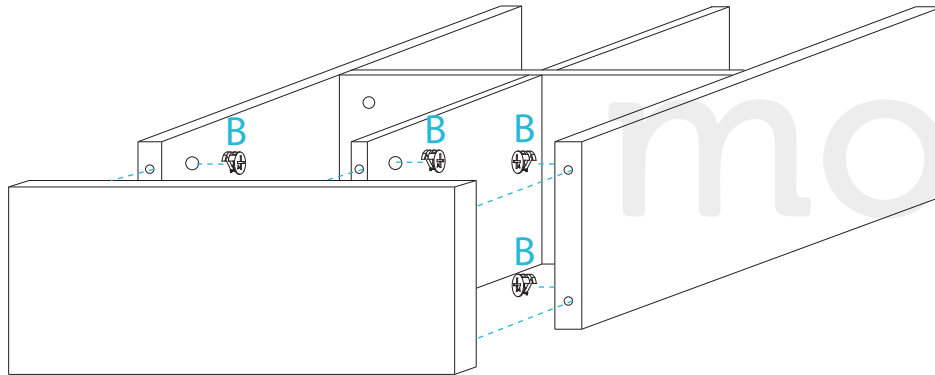
Insert 6x bolts (A) and 6x dowels (D) into the top panel [1], and 6x bolts (A) and 6x dowels (D) into the bottom panel [1].

Luna Cube 4

ASSEMBLY INSTRUCTIONS

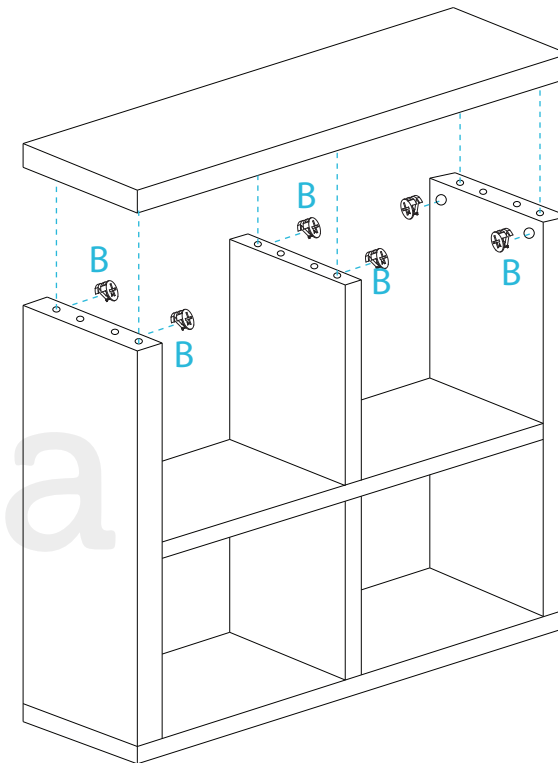
mocka

5



Attach the bottom panel to the main unit with 6x locking nuts (B) and tighten with a screwdriver.

6



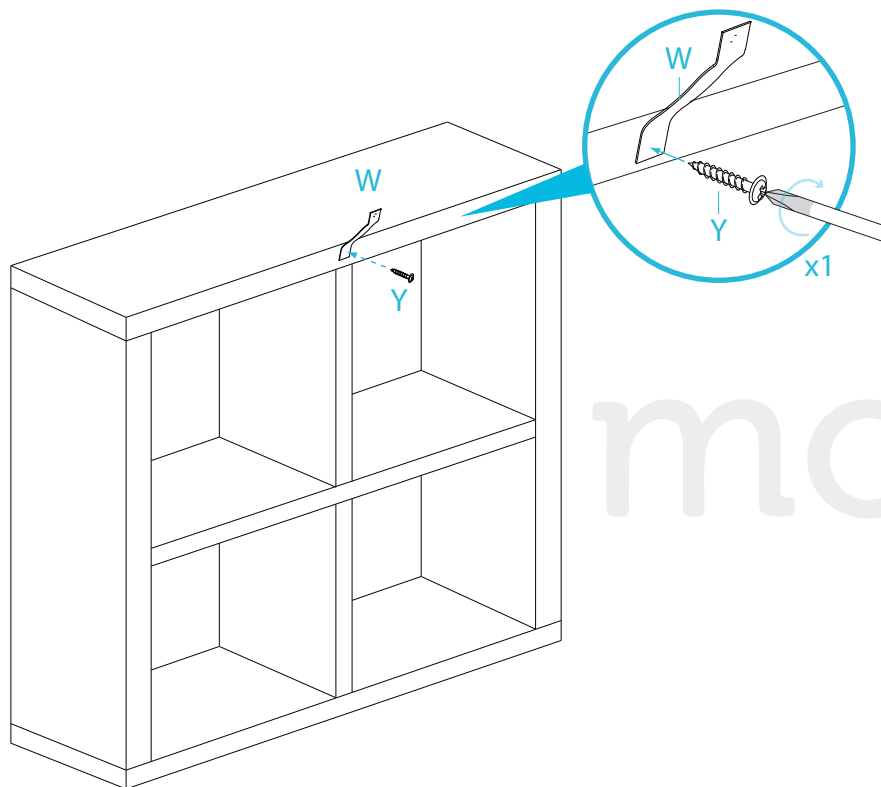
Attach the top panel to the main unit with 6x locking nuts (B) and tighten with a screwdriver.

Luna Cube 4

ASSEMBLY INSTRUCTIONS

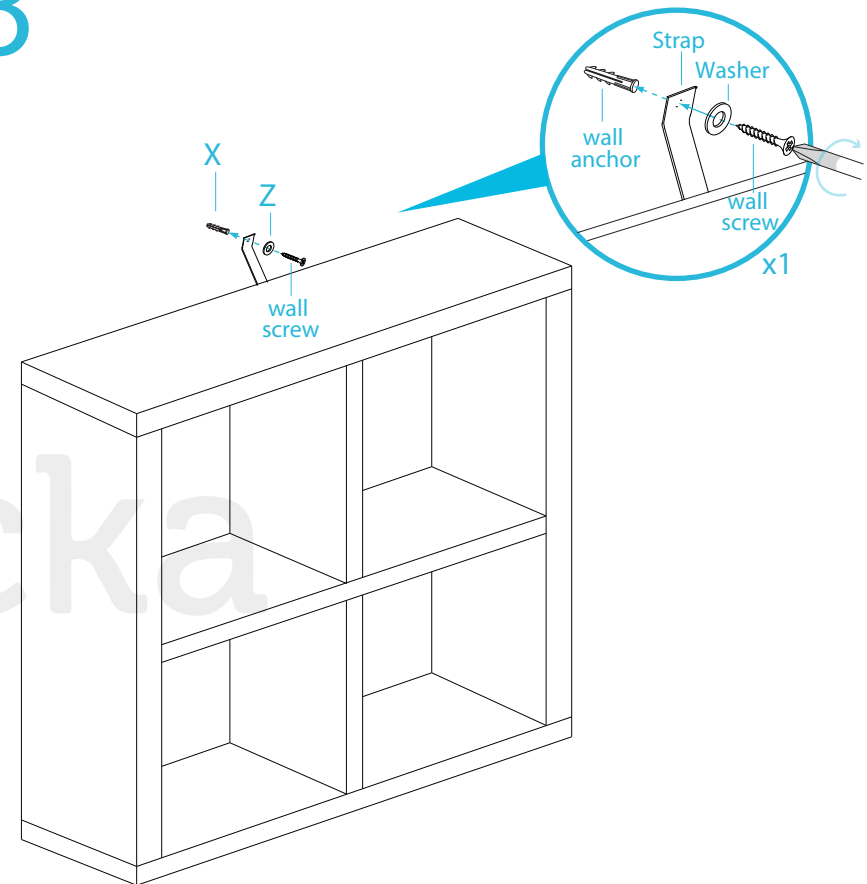
mocka

7 Wall Strap



Once assembled lift furniture into place, do not drag. Attach the safety strap (W) to the top of the back side of the unit using 1x r/washer screw (Y). Tighten with a screwdriver.

8



Use a drill to create a small hole lining up with the top of the safety strap (W). Fasten to the wall using 1x wall anchor (X), 1x washer (Z) and screw (not supplied). Ensure the unit is balanced and steady before use. That's it, you're done. Enjoy!