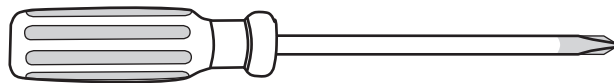
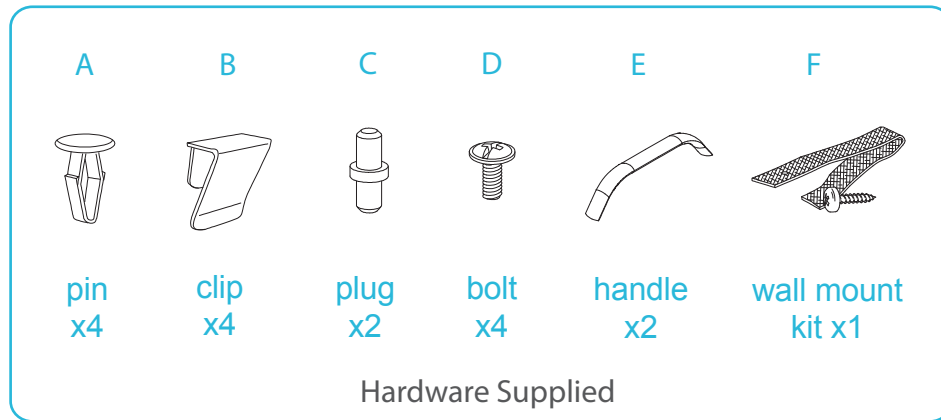


Console Locka

Assembly Instructions

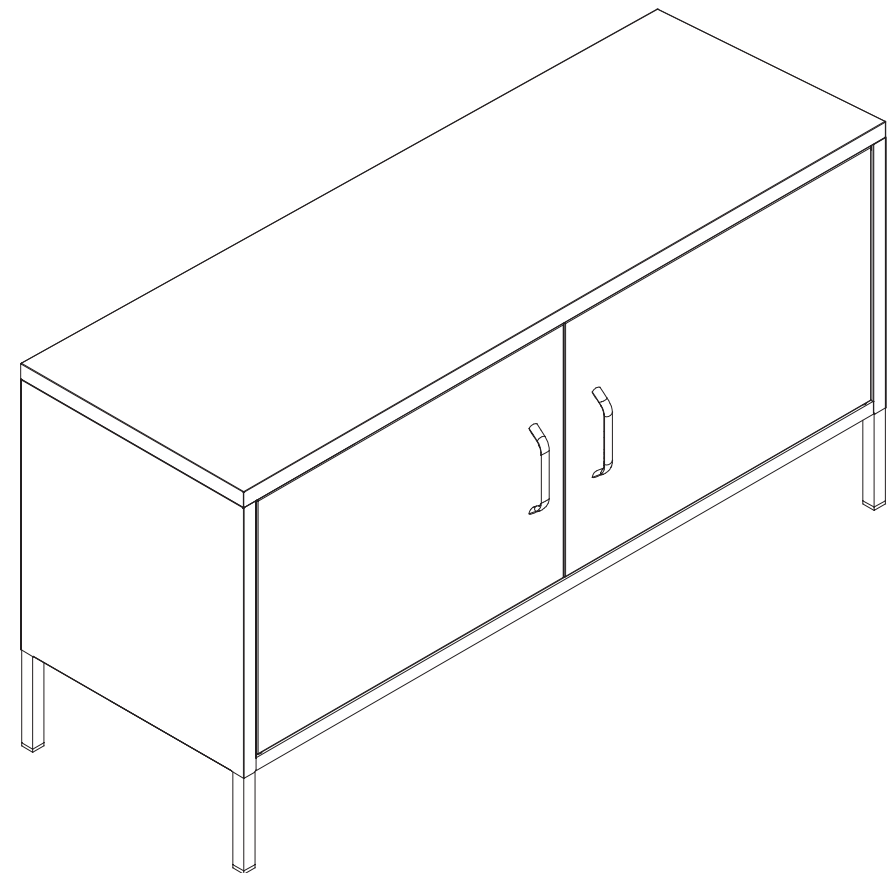
Thank you for your purchase.
Please follow the instructions below for correct assembly.

mocka



Phillips screwdriver required

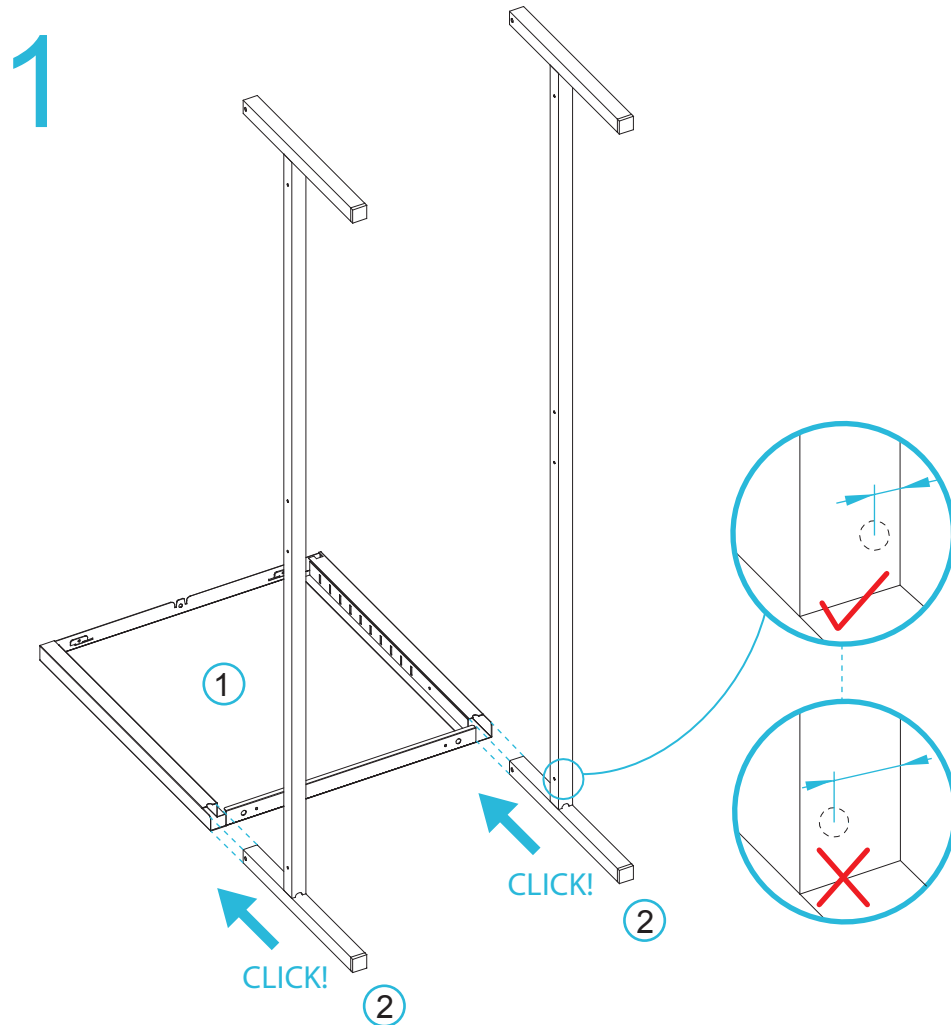
WARNING: Any furniture that is not anchored to a wall has the potential to tip over in certain circumstances, i.e. if a child attempts to climb up on the furniture or in the event of an earthquake. Accordingly, we recommend that all furniture is anchored to a wall. We supply a free safety wall anchor with all furniture sold and we recommend these are used to prevent your product tipping. The fixing device provided should fit most wall types, but please note that different wall materials may require different fixing devices from those supplied.



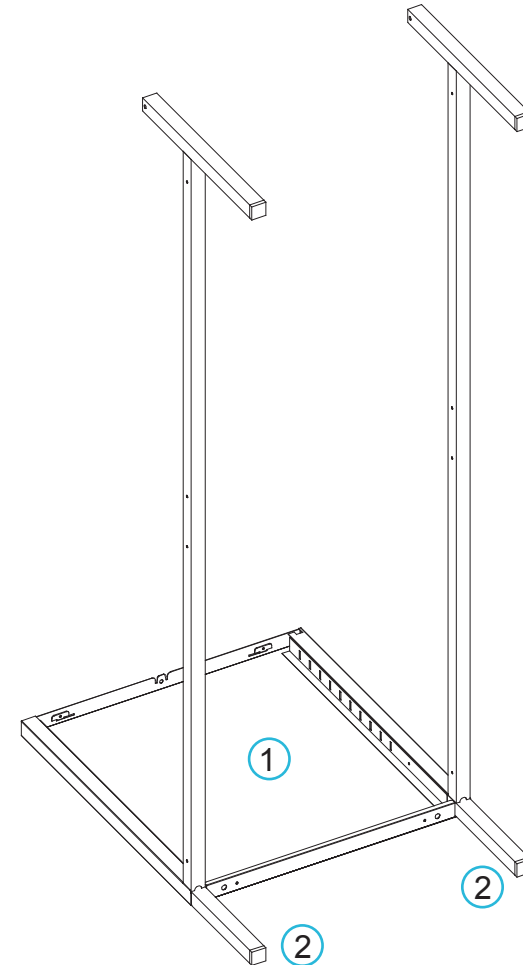
Console Locka

Assembly Instructions

mocka



2



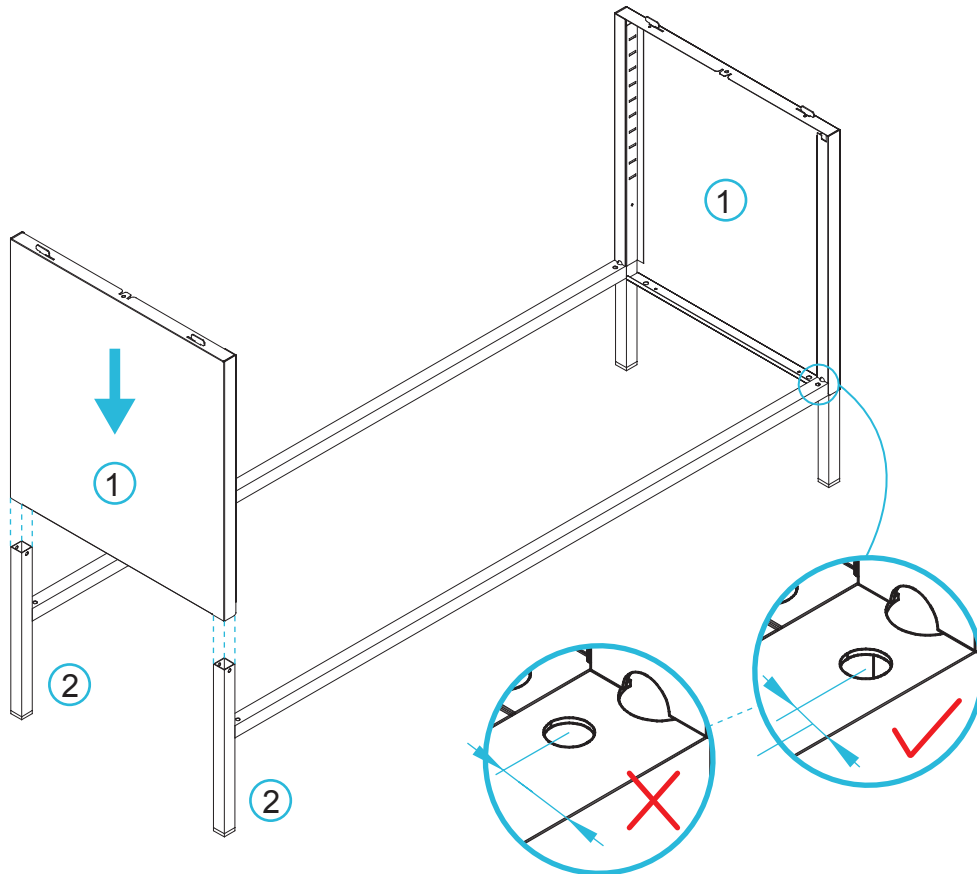
Slide the legs [2] into the bottom of panel [1] until they click into place.

Console Locka

Assembly Instructions

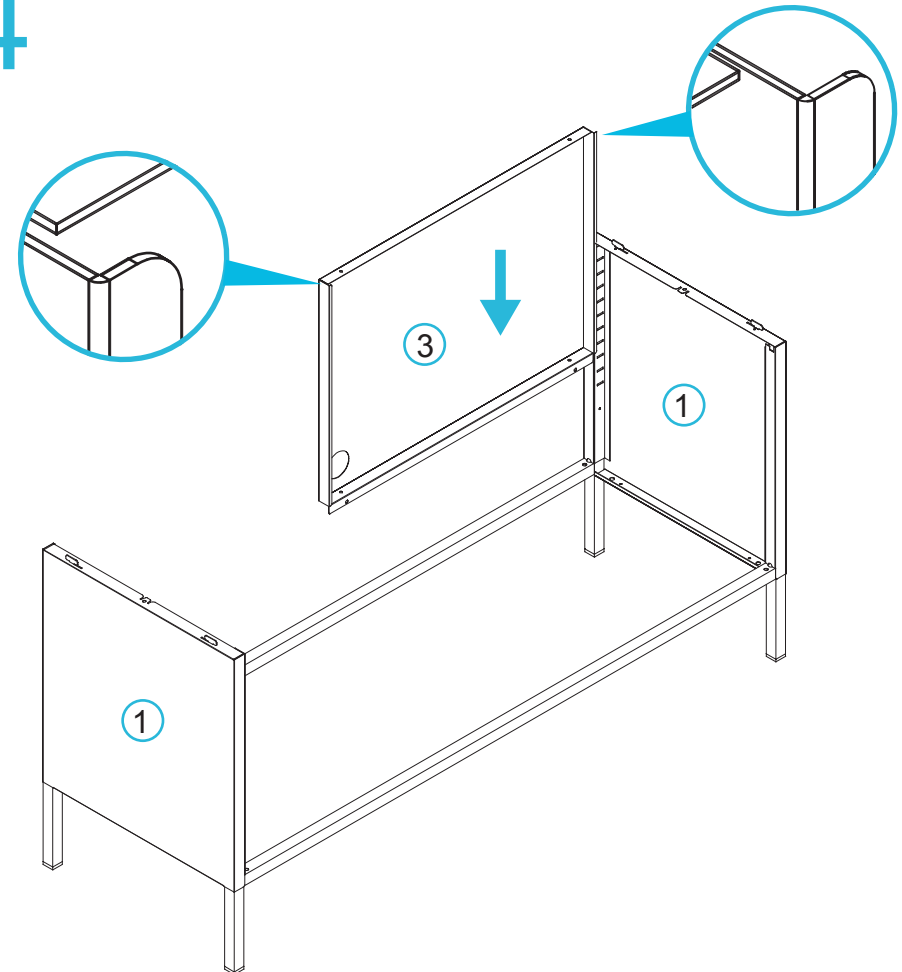
mocka

3



Slide other panel [1] down into the legs [2] until they click into place.

4



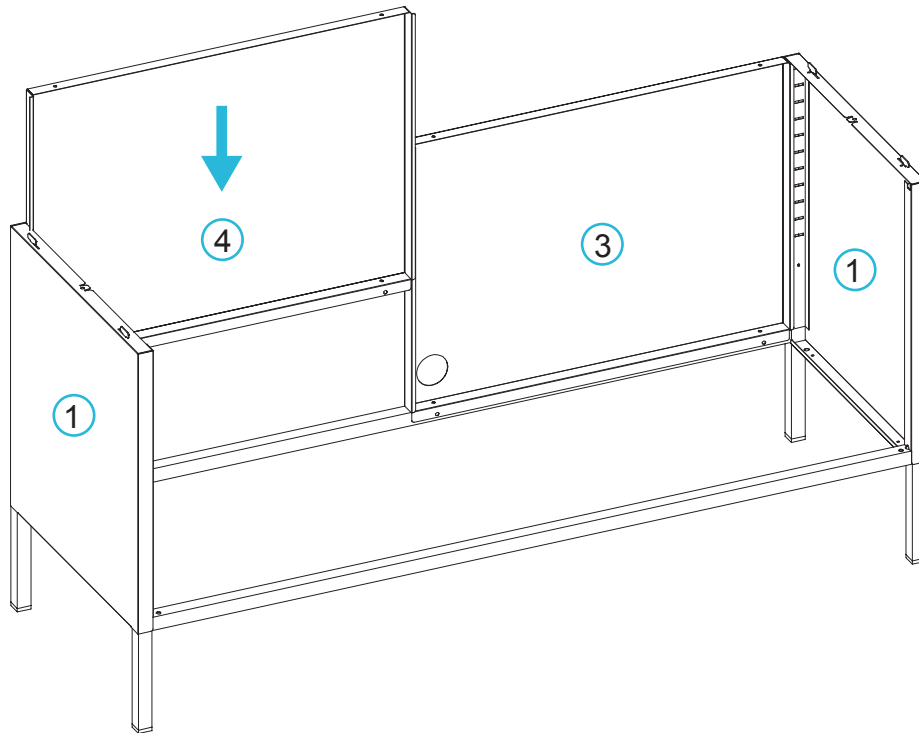
Slide panel [3] down along panel [1] as shown.

Console Locka

Assembly Instructions

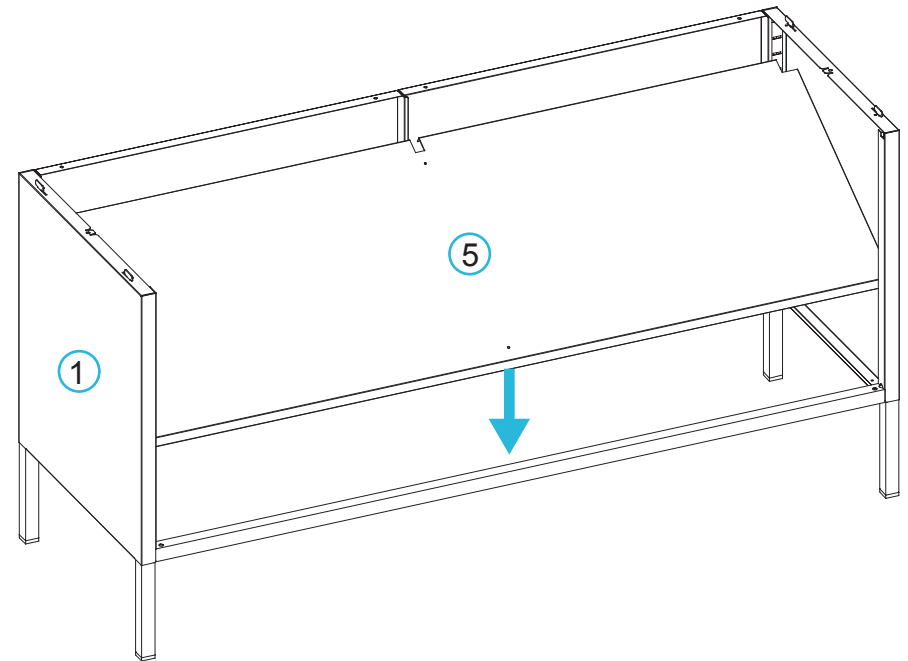
mocka

5



Slide panel [4] down between panels [1] and [3] as shown.

6

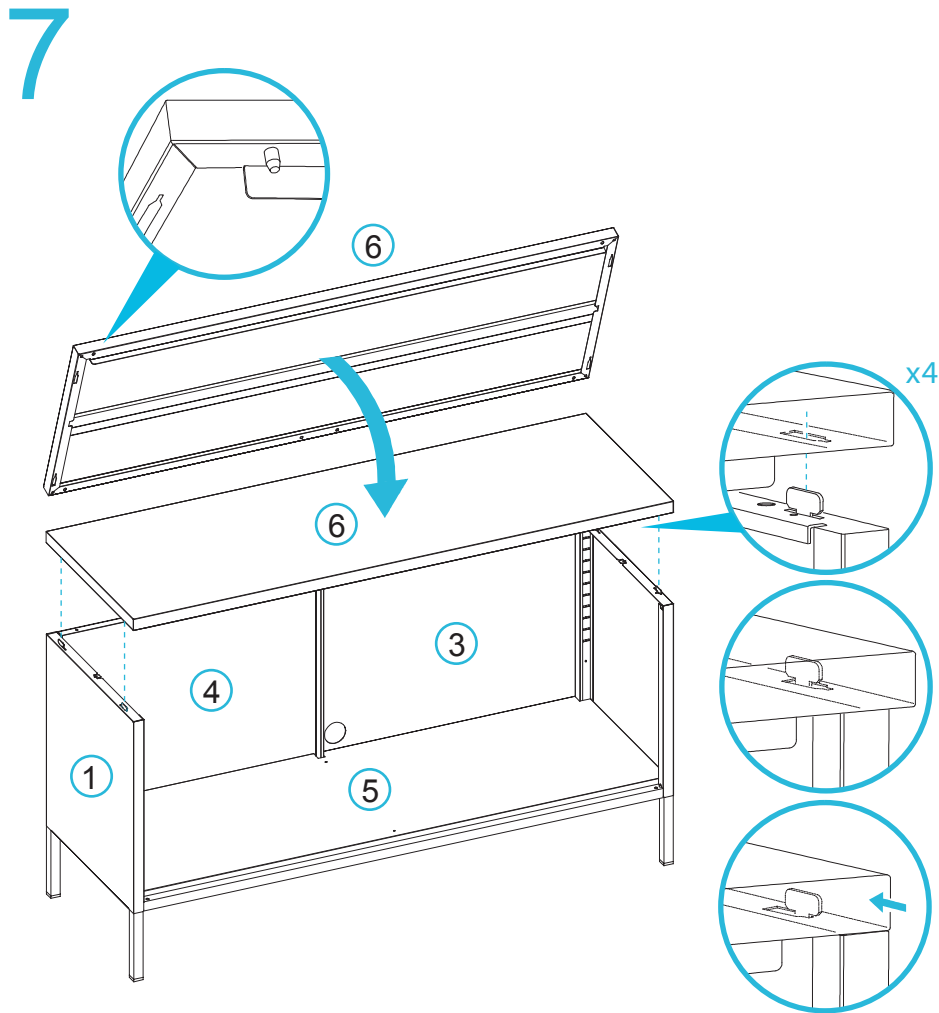


Insert panel [5] to form the base of the unit as shown.

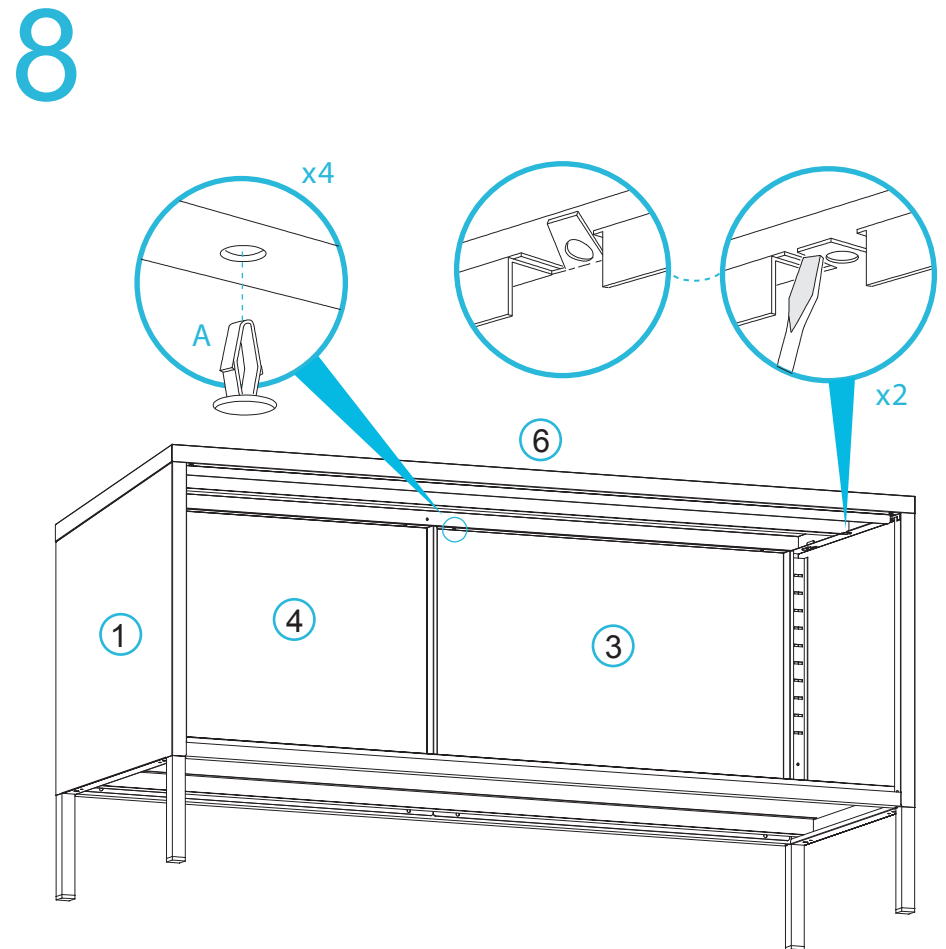
Console Locka

Assembly Instructions

mocka



Attach panel [6] to the top of the unit as shown.



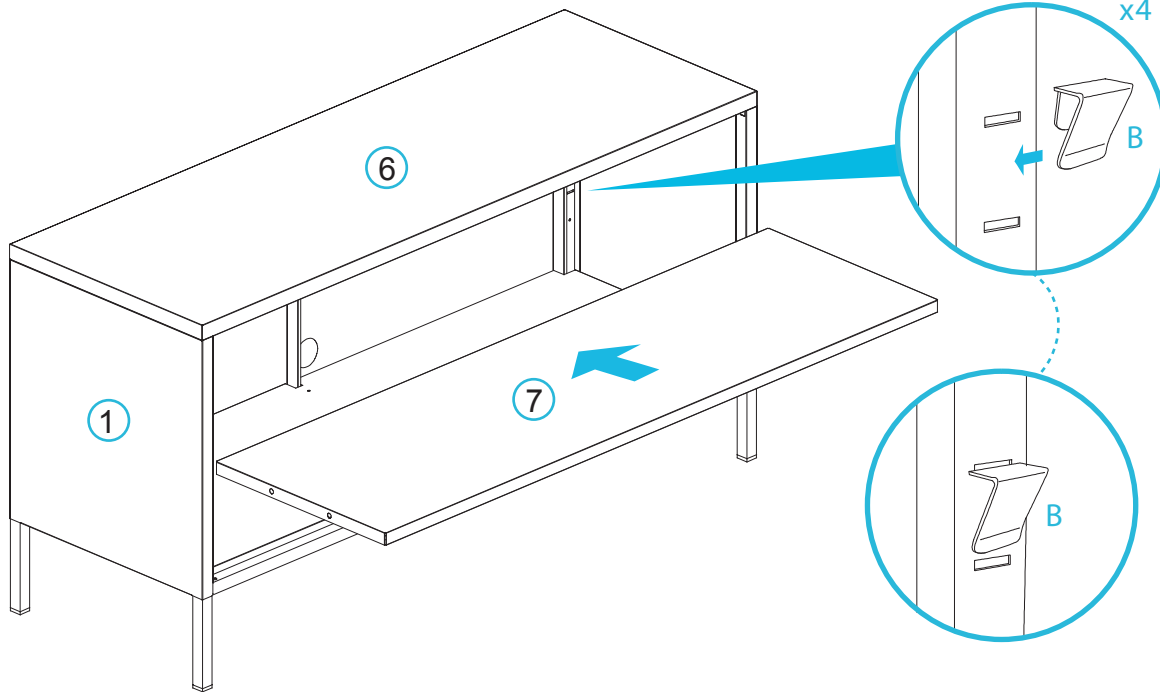
Insert 4x pins (A) into the underside of panel [6]. Bend down the metal tabs on each side with a screwdriver.

Console Locka

Assembly Instructions

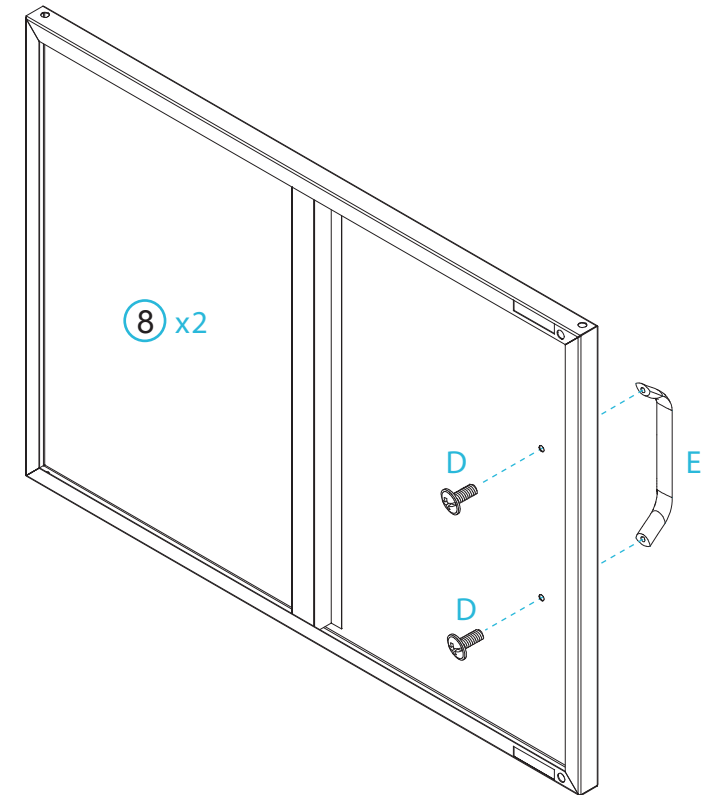
mocka

9



Insert 4x clips (B) into the back and front clip brackets at your desired shelf height as shown. Place the shelf panel [7] into the unit over the clips to form the shelf.

10



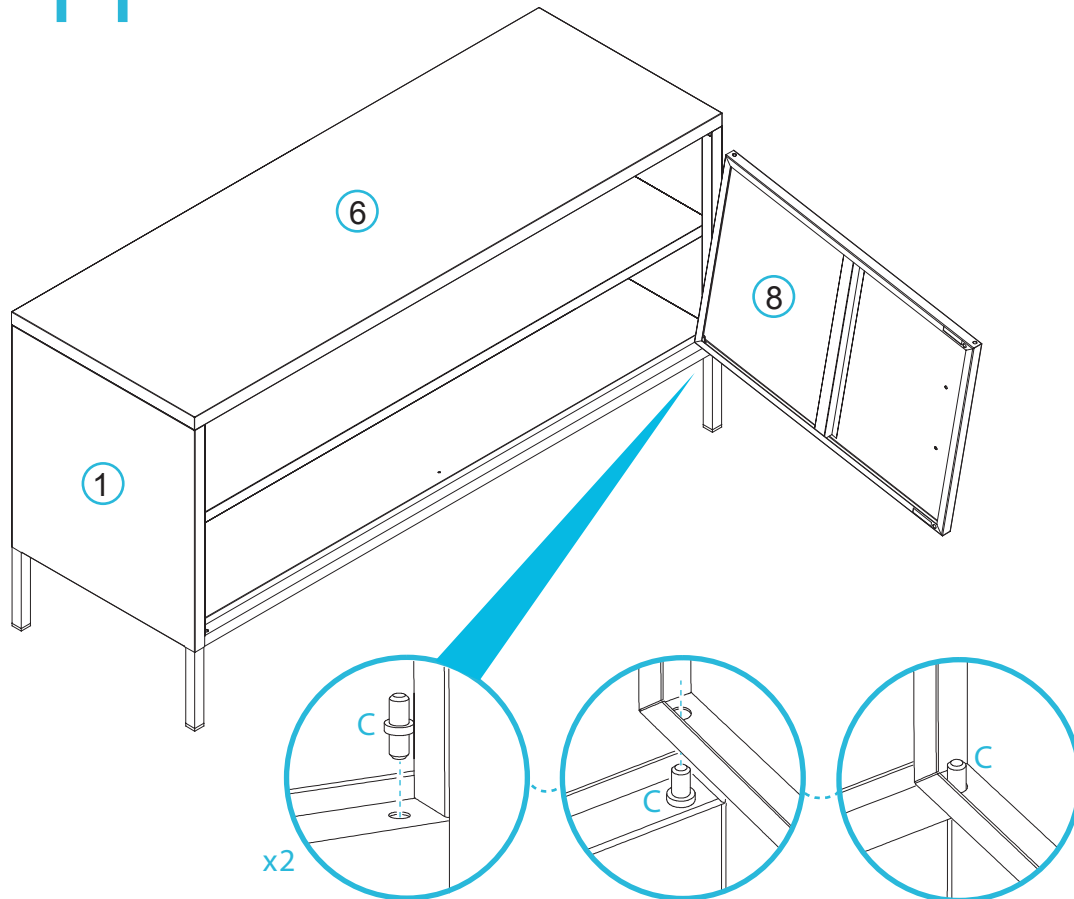
Attach handle (E) to each door panel (8) with 2x bolts (D) and tighten with a screwdriver.

Console Locka

Assembly Instructions

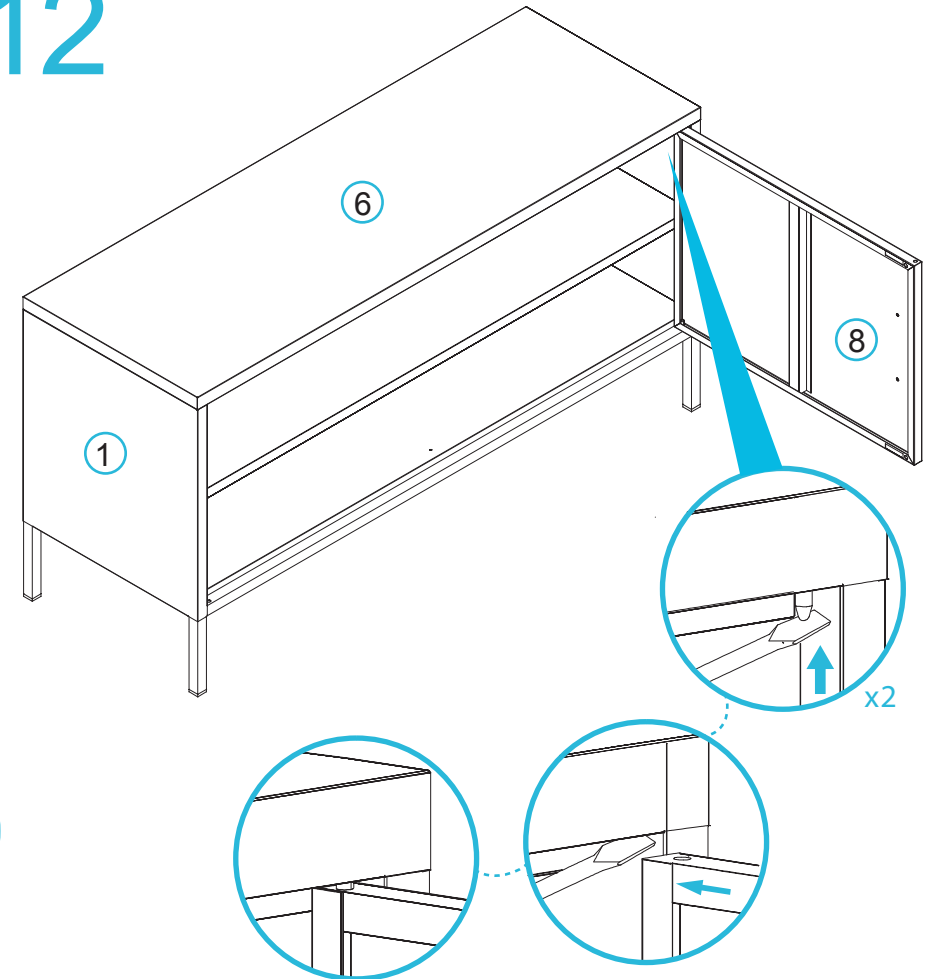
mocka

11



Attach the door panel [8] by inserting 1x plug (C) into the unit first, as shown.

12



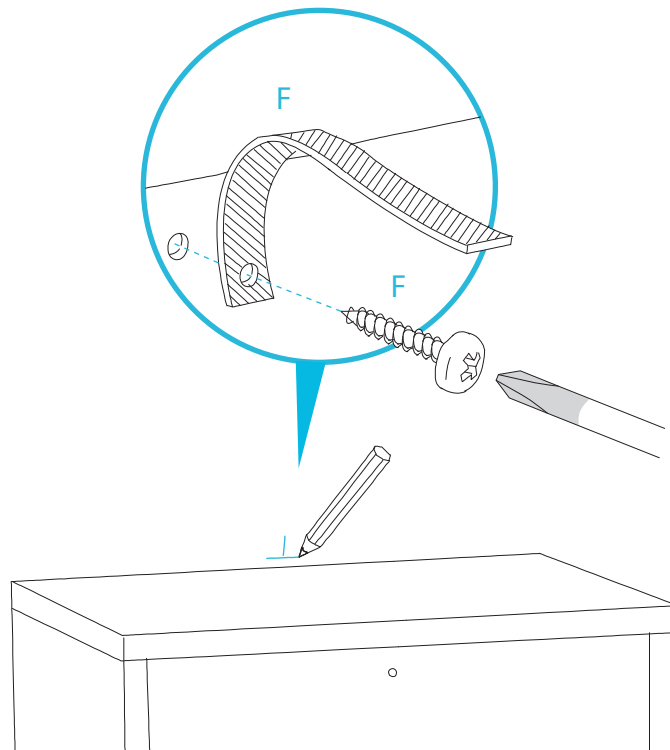
Using a screwdriver, lift the button shown and slide the top of the door into place. Release the button to lock it in place. Repeat Steps 11 and 12 to attach the second door.

Console Locka

Assembly Instructions

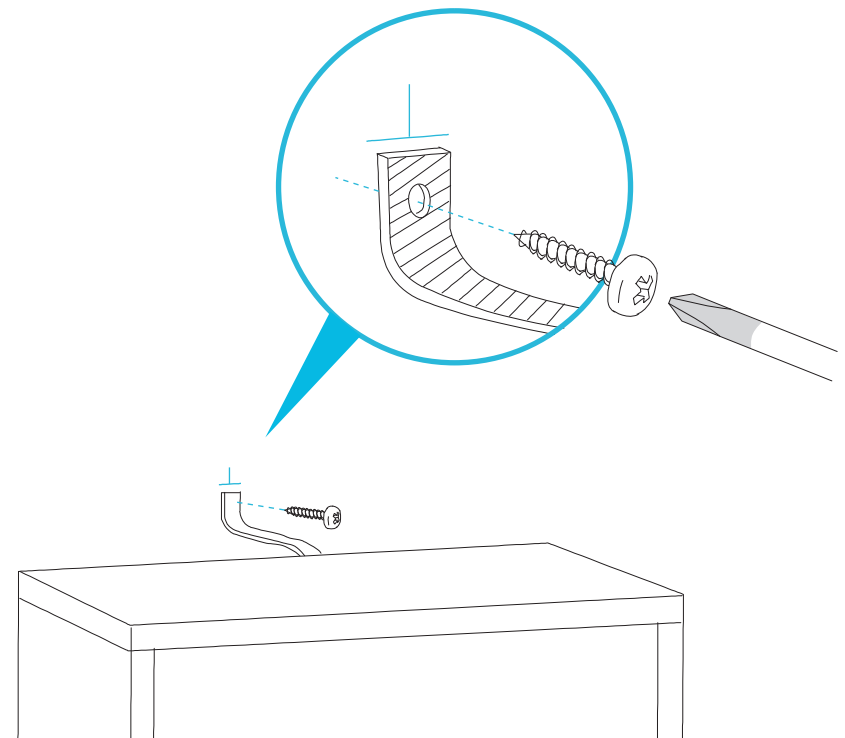
mocka

13 Wall Mount



Lift the completed unit into place, do not drag. Mark its height on the wall with a pencil. Attach one end of the wall mount strap (F) to the back of the unit with a 1x screw (F).

14



Screw the other end into the wall at the marked height with a wall screw (not supplied). You're done, enjoy!