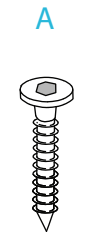


Jimmy Stand

ASSEMBLY INSTRUCTIONS

mocka

Thank you for purchasing the Mocka Jimmy Stand.
Please follow the instructions below for correct assembly

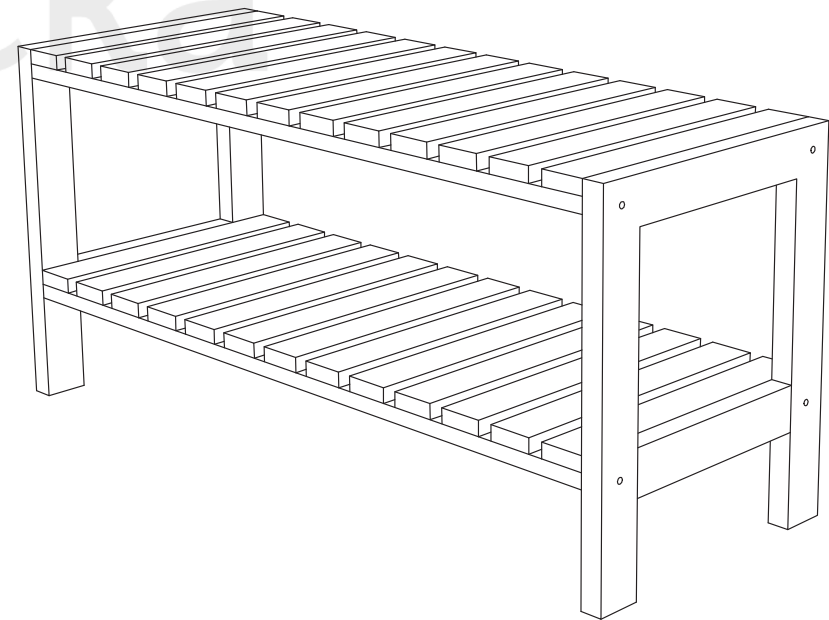


screw
x8



Allen key
x1

Hardware Supplied

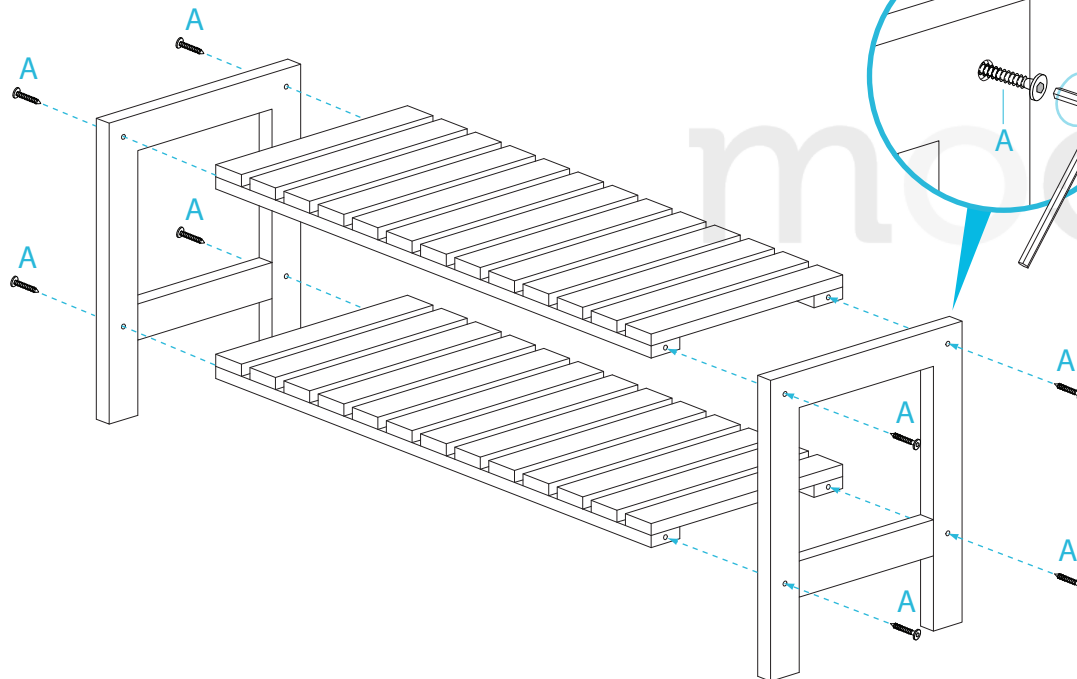


Jimmy Stand

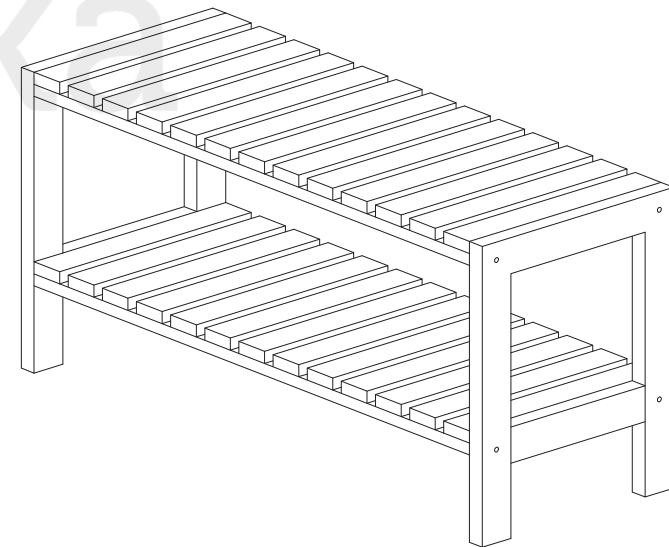
ASSEMBLY INSTRUCTIONS

mocka

1



2



To assemble the Jimmy Stand attach the shelf slats to the support legs using 4x screws (A) in each end as shown. Tighten screws with the Allen key (B) provided.

Finally ensure all screws are securely fastened before use. All done. Enjoy!