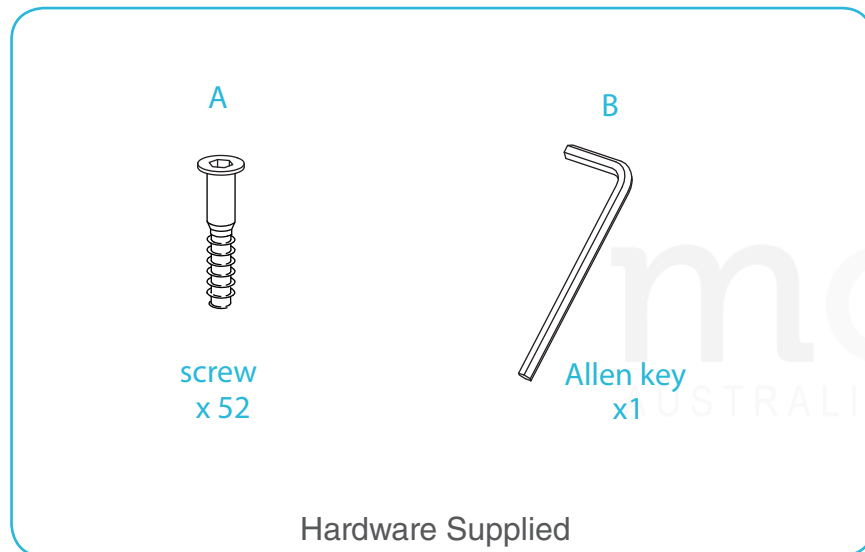


# Hudson Kids Table & Chairs

## ASSEMBLY INSTRUCTIONS

mocka

Thank you for purchasing a Mocka Hudson Kids Table & Chairs set.  
Please follow the instructions below for correct assembly.



**Once fully assembled please ensure all legs are sitting flush against the table/stool underside to ensure stability. Do not over-tighten screws.**

The recommended age for this set is 2-6 years.  
The weight limit on the stools and chairs is 70kg.

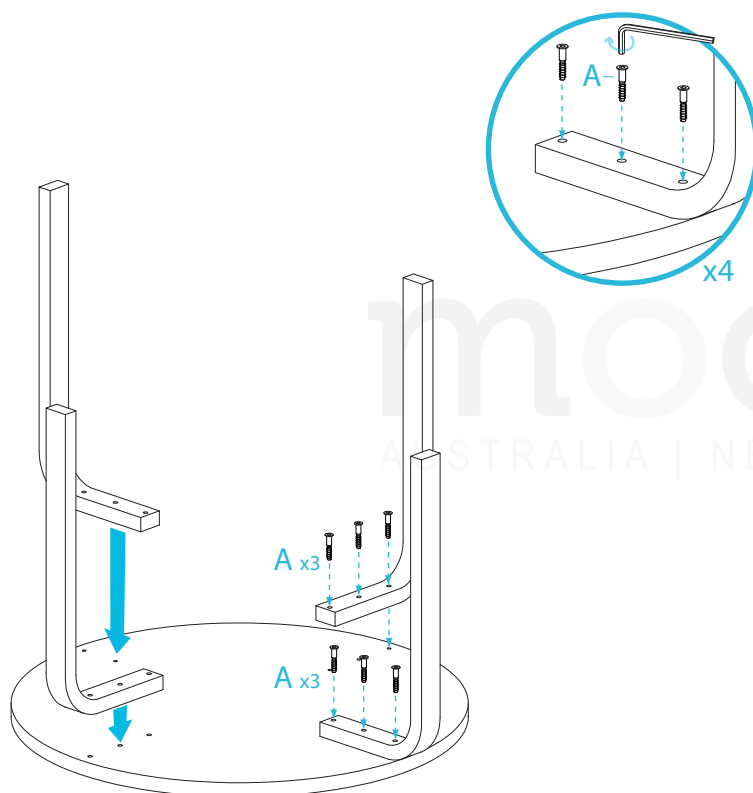
To ensure longevity of the wood please use a damp cloth only for cleaning. Avoid use of household cleaners.

# Hudson Kids Table & Chairs

## ASSEMBLY INSTRUCTIONS

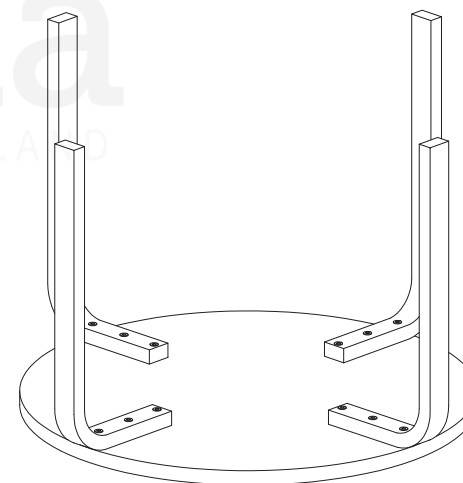
mocka

### 1 Assemble the table.



Find all four table legs and position them on the underside of the table top. Using 3x screws (A) and the allen key (B) attach each leg to the table.

### 2



Fasten all screws and ensure all legs are sitting flush with the table underside to ensure stability. Flip table over and it is ready for use.

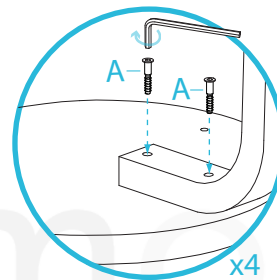
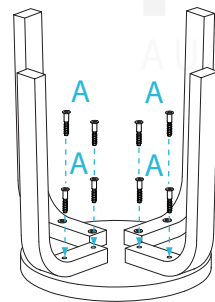
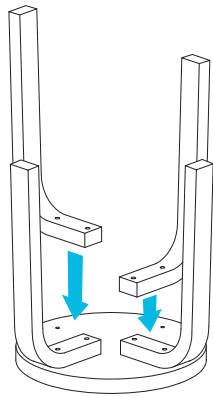
# Hudson Kids Table & Chairs

## ASSEMBLY INSTRUCTIONS

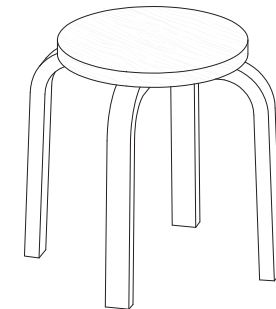
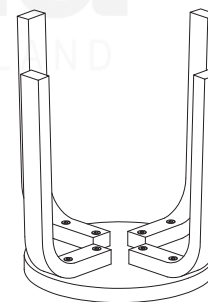
mocka

3

Assemble the two stools:



4



x2

Find one round seat pieces and four stool legs. Attach each leg to the underside of the seat using 2x screws (A) in each and tightening with the allen key (B). Ensure all legs are securely fastened.

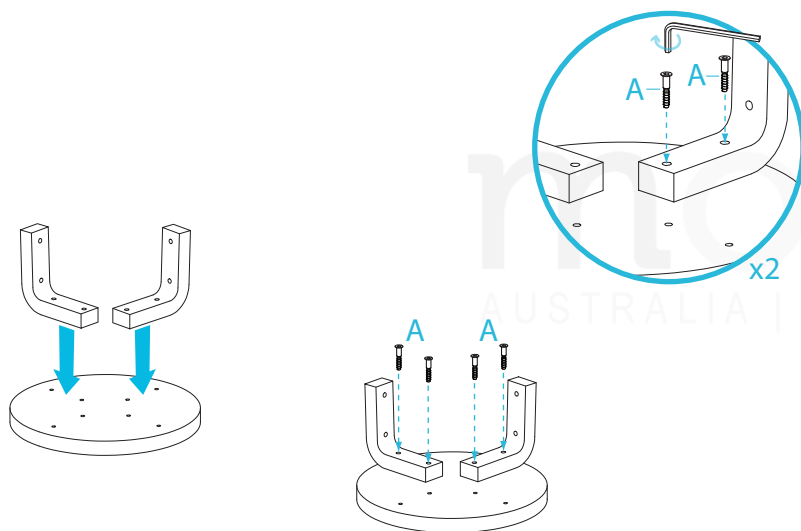
**Repeat Step 3 to assemble the second stool.** Ensure all screws are fastened and legs sit flush with underside of the seats.

# Hudson Kids Table & Chairs

## ASSEMBLY INSTRUCTIONS

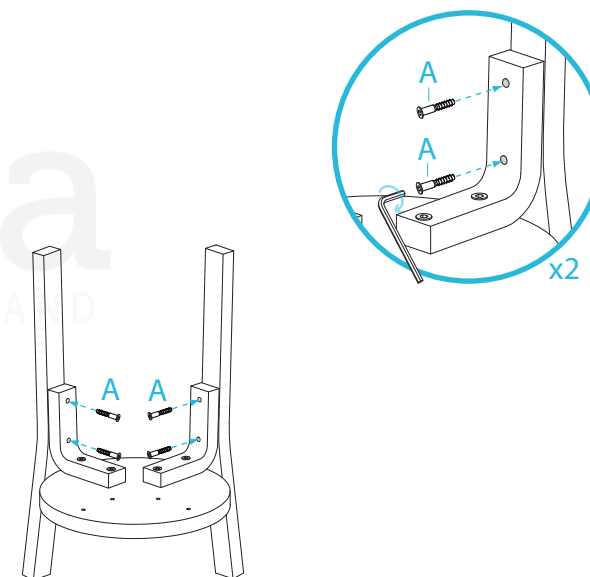
mocka

### 5 Assemble the two chairs:



Find two round seat pieces and four leg braces. Attach two leg braces to a round seat piece using 2x screws (A) in each. Tighten screws with allen key (B).

### 6



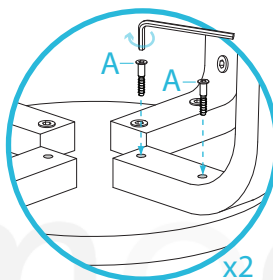
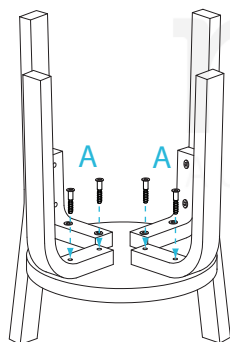
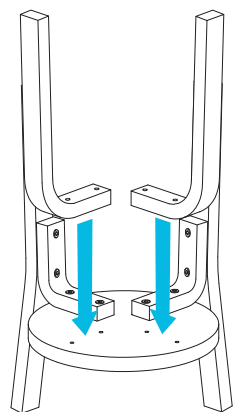
Find two long chair leg pieces and attach to the leg braces using 2x screws (A) in each. Fasten screws using allen key (B) ensuring pieces sit flush against each other.

# Hudson Kids Table & Chairs

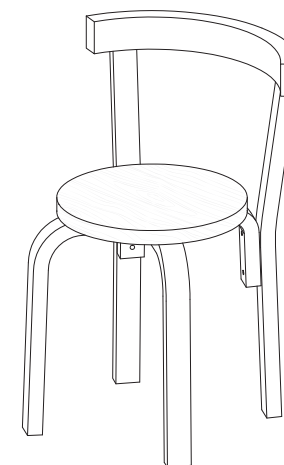
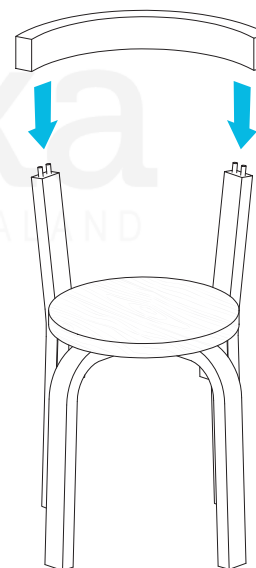
## ASSEMBLY INSTRUCTIONS

mocka

7



8



x2

Take two front chair legs and attach in place using 2x screws (A) in each leg. Tighten screws with allen key (B).

Push the back rest piece onto the tops of the chair legs as shown. **Repeat Steps 5 to 8 again to assemble the second chair.**

# Hudson Kids Table & Chairs

## ASSEMBLY INSTRUCTIONS

mocka



All done! Regularly check all screws are secure but not overly tightened. Enjoy!