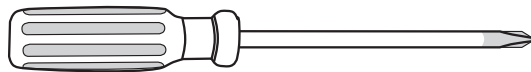
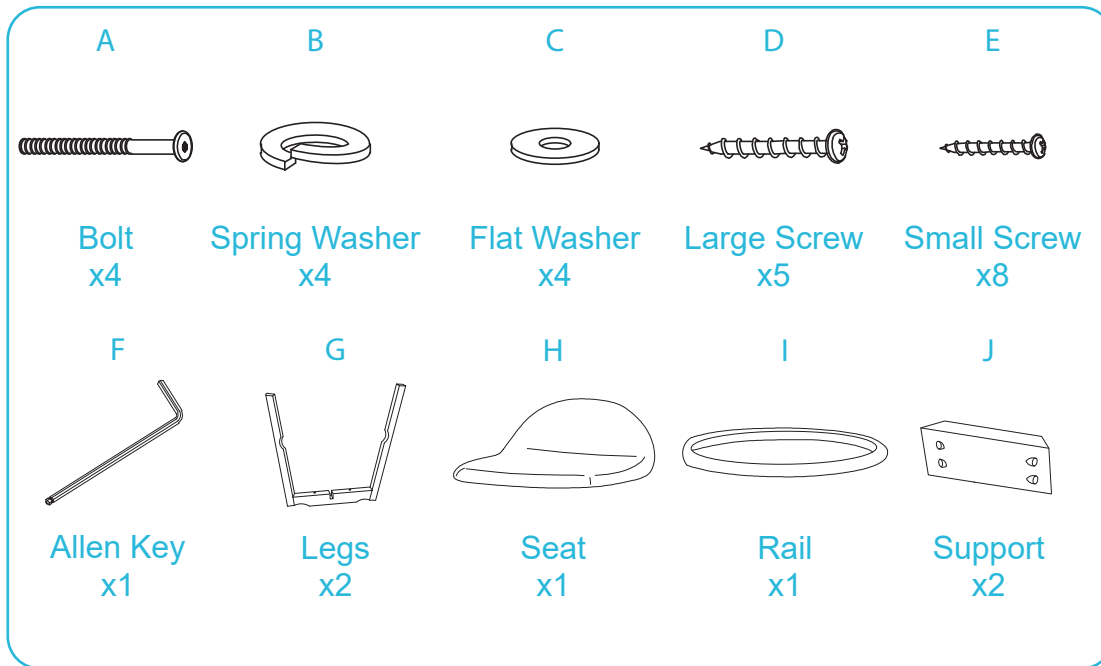


Livi Bar Seat

Assembly Instructions

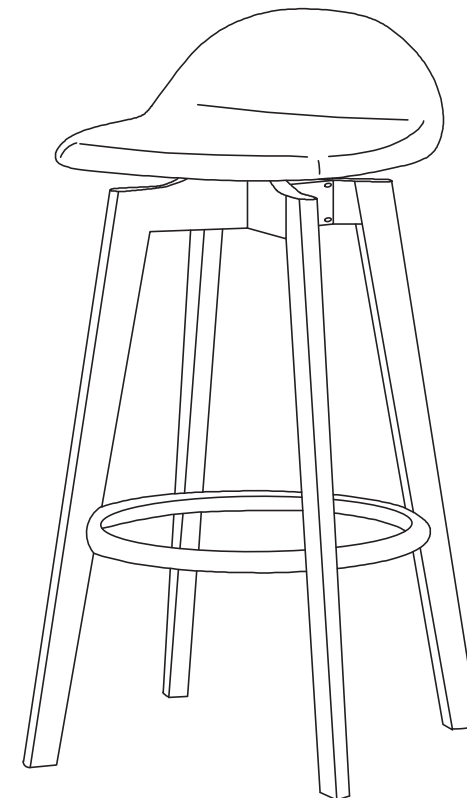
Thank you for your purchase.
Please follow the instructions below for correct assembly.



Phillips screwdriver

For quicker assembly, we recommend the use of a power drill on a low-speed setting.

mocka

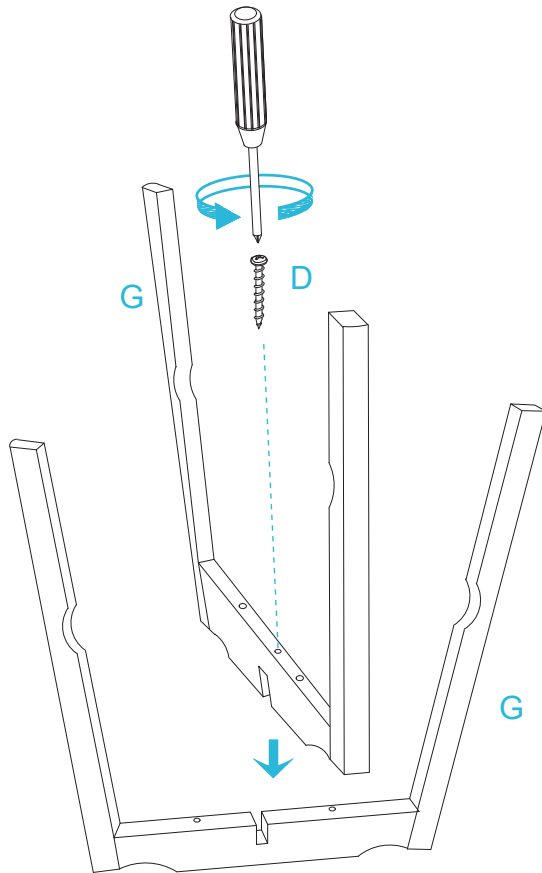


Livi Bar Seat

Assembly Instructions

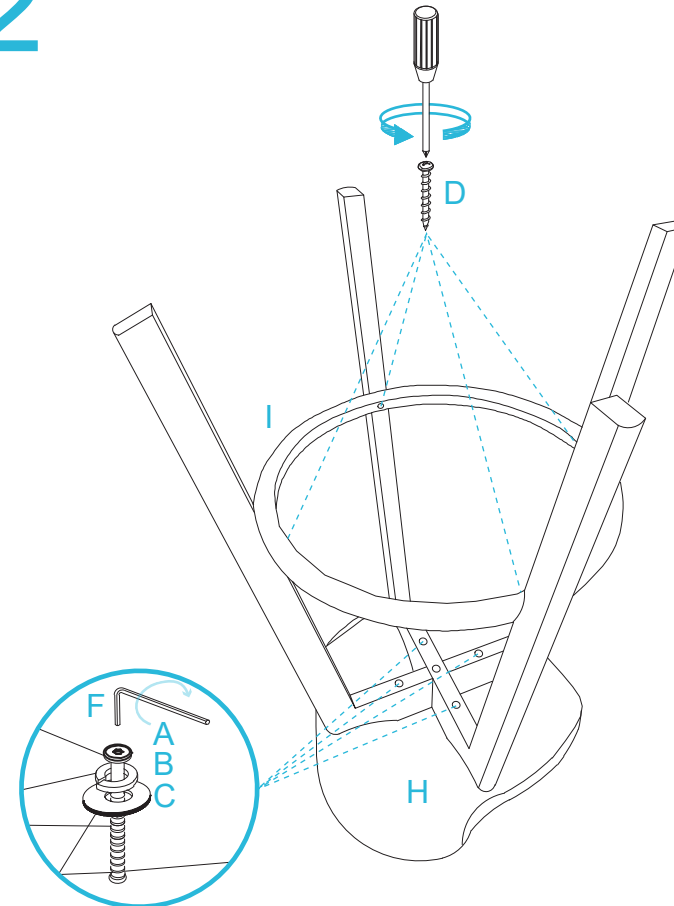
mocka

1



Attach 2 x Legs (G) as shown as secure with 1 x Large Screw (D). Tighten with a screwdriver.

2



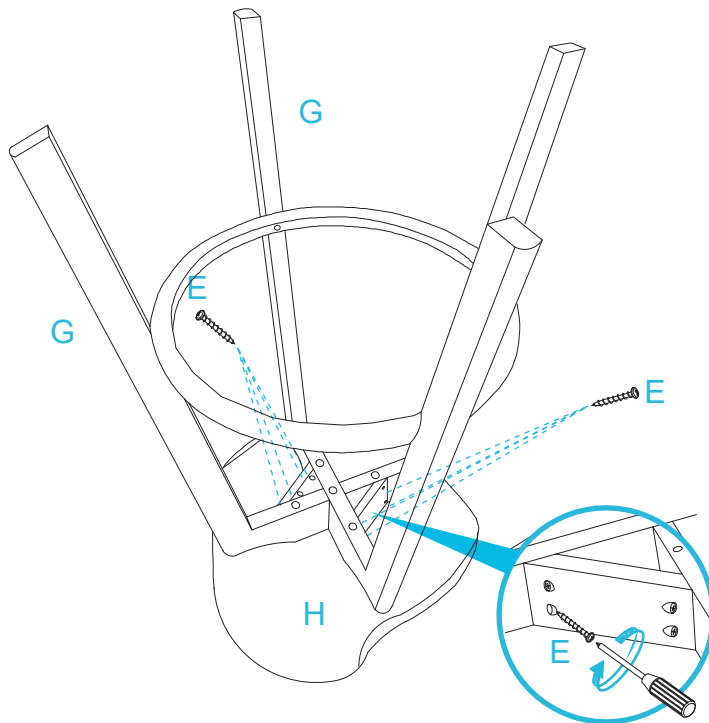
Attach 1 x Seat (H) and secure with 4 x Bolts (A), 4 x Spring Washers (B) and 4 x Flat Washers (C). Tighten with an Allen Key (F). Attach 1 x Rail (I) and secure with 4 x Large Screws (D). Tighten with a screwdriver.

Livi Bar Seat

Assembly Instructions

mocka

3



Attach 2 x Supports (J) as shown and secure with 8 x Small Screws (E).
Tighten with a screwdriver. You're done, enjoy!