

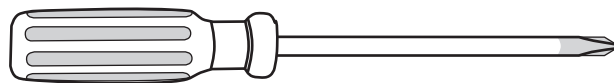
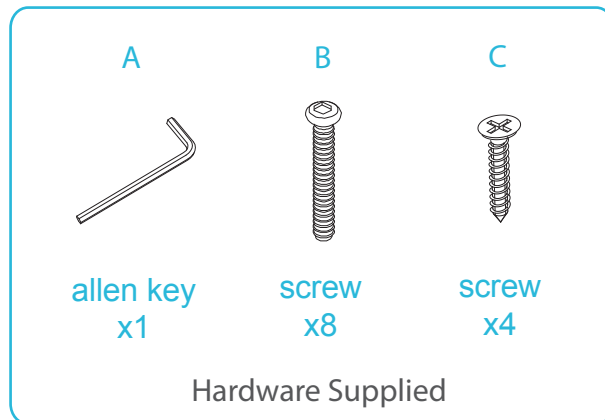
Dana Bar Stool

Dana Stool

Assembly Instructions

Thank you for your purchase.
Please follow the instructions below for correct assembly.

mocka



Phillips screwdriver required



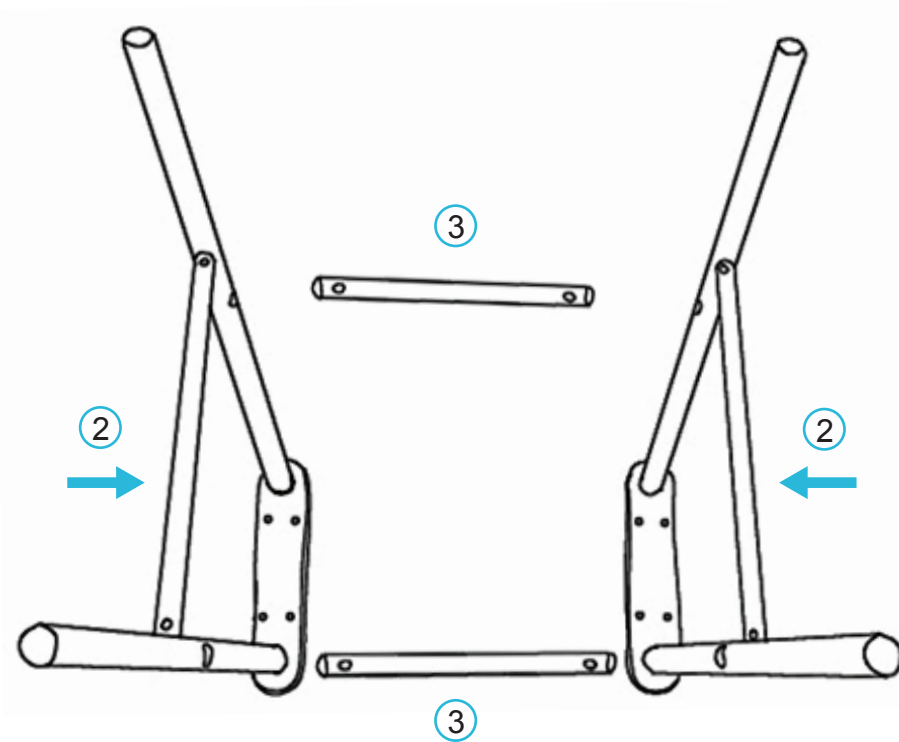
Dana Bar Stool

Dana Stool

Assembly Instructions

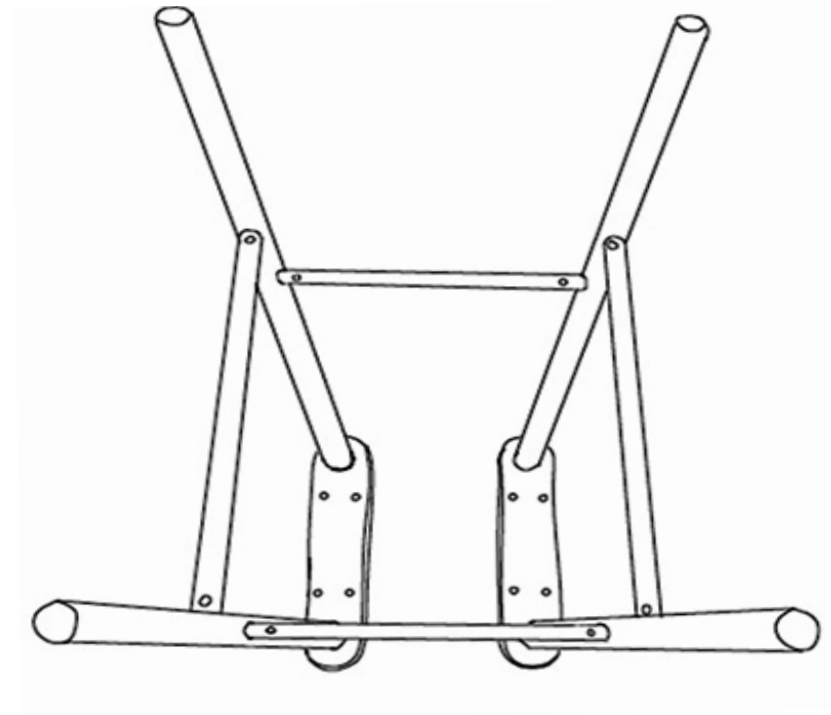
mocka

1



Attach 2x connecting panels [3] to the legs [2] as shown.

2



Ensure they are firmly in place.

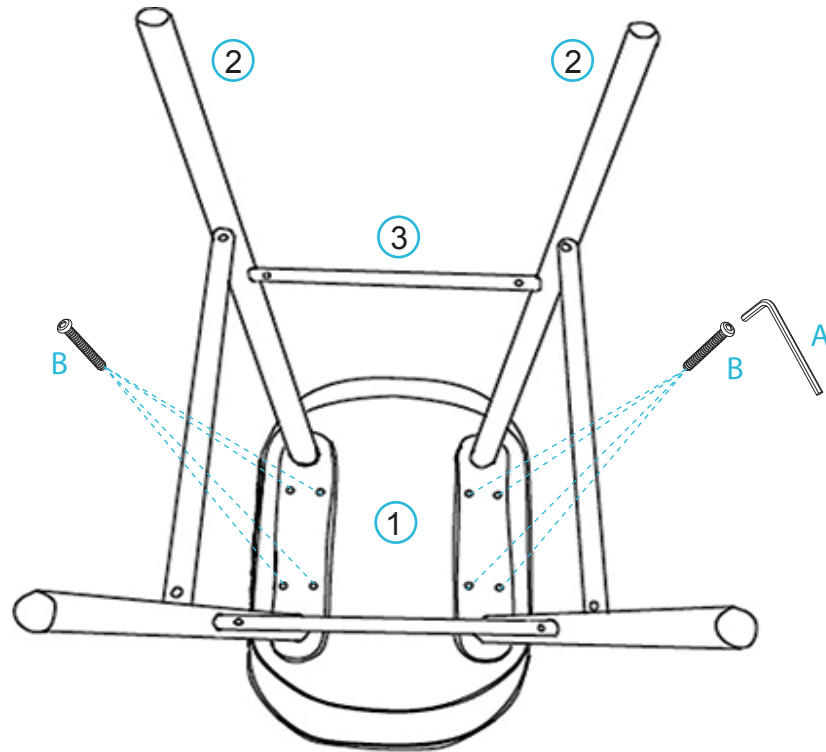
Dana Bar Stool

Dana Stool

Assembly Instructions

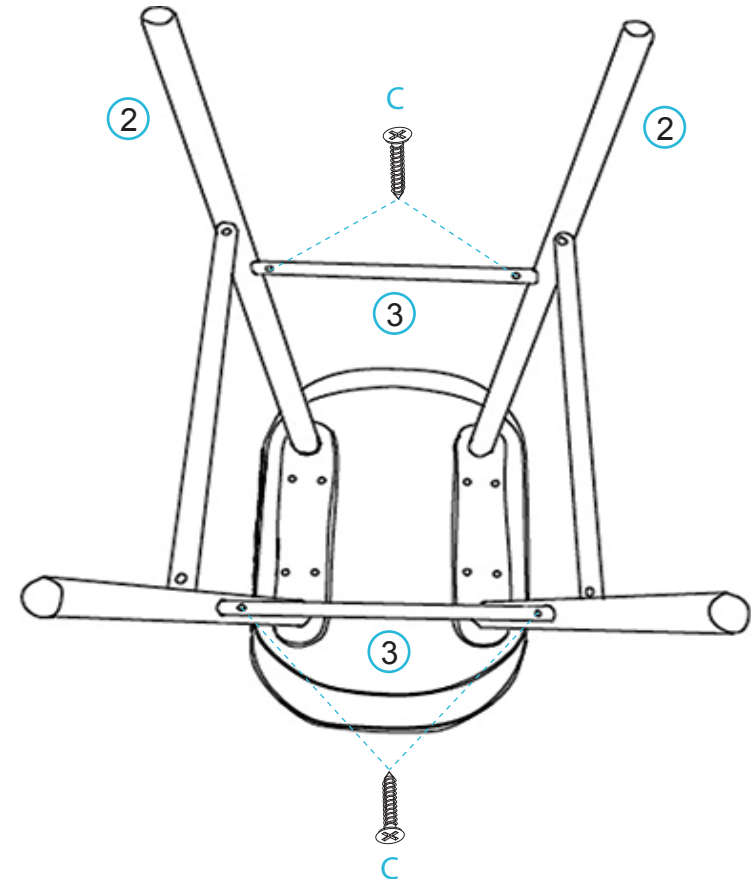
mocka

3



Attach the legs [2] to the underside of the seat [1] and secure with 8x screws (B) as shown. Tighten with the allen key (A).

4



Secure the connector panels [3] to the legs [2] using 4x screws (C) and tighten with a screwdriver. Turn the stool onto its feet and ensure it stands evenly on the ground. You're done, enjoy!