

Rayne Highchair

Assembly Instructions

Thank you for choosing this product.

WARNING - AVOID SERIOUS INJURY FROM FALLING OR SLIDING OUT. ALWAYS USE COMPLETE 5 POINT SAFETY HARNESS

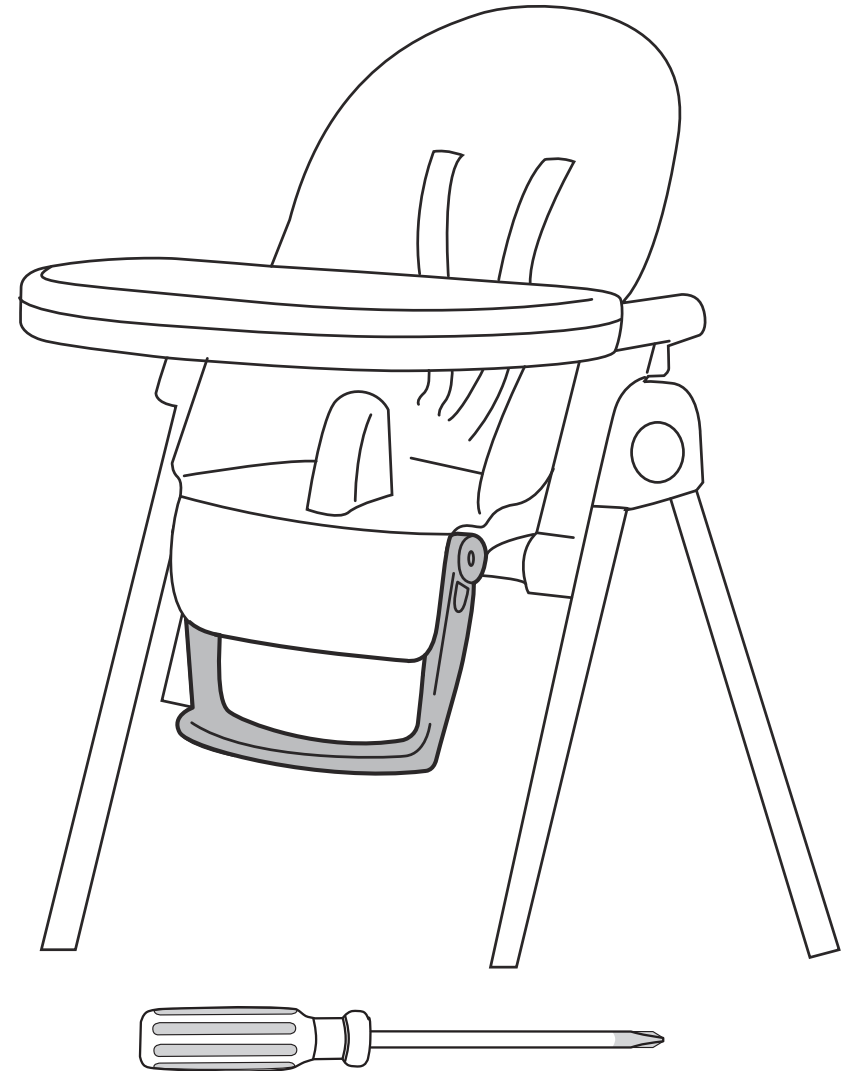
**IMPORTANT!
KEEP FOR FUTURE REFERENCE**

- Read these instructions carefully. Failure to follow them may put the child's safety at risk.
- The product must be assembled and adjusted by an adult. Do not use the product if it is not properly assembled, if it is broken or if pieces are missing.
- Prevent the child from falling or slipping; always use the five-point safety harness. Use the safety harness both when the seat is reclined and when it is in the vertical position.
- Never leave the child unattended.
- Stay near and watch child during use.
- Do not place your fingers in the mechanisms and make sure the child's limbs are safe from harm when adjusting the chair.
- It could be dangerous to use accessories that are not approved by the manufacturer.
- Assembly, preparation, cleaning and maintenance of the product must only be carried out by adults.
- Do not leave the high chair exposed to sunlight for long periods of time. Wait until it has cooled down before sitting the child in the chair.
- Make sure that any harness is correctly fitted.
- Always use the restraint system.
- Position the product so that the child is far from dangers such as electrical wiring, heat sources and flames.
- Do not use the product near stairs or steps.
- Be aware of the risk of open fire and other sources of strong heat, such as electric bar fires, gas fires etc. in the vicinity of the high chair.
- The child should be secured in the high chair at all times by the restraining system. The tray is not designed to hold the child in the chair. It is recommended that the high chair be used only by children capable of sitting upright unassisted.
- Never use this product on an elevated surface (e.g. a table).
- To avoid injury ensure that children are kept away when unfolding and folding this product.
- Do not let children play with this product.
- This product is designed for indoor use only.
- Do not move or lift this product with the baby inside it.

RECLINER

- When used as a recliner, this product is designed for children from birth up to a weight of 9 kg.

mocka



Phillips screwdriver required

Rayne Highchair

Assembly Instructions

mocka

- Do not use the product as a recliner when the child is able to sit up alone.
- The recliner is not designed for long periods of sleep. It should not be used as a substitute for a cot. If the child needs to sleep, he/she should be placed in a suitable cot.
- Danger of strangulation: Never leave the child in the recliner if the safety harness is loose or undone.
- A warning! The child should be secured in the high chair at all times by the restraining system, either in the reclining or upright position. The tray is not designed to hold the child in the chair. It is recommended that the high chair be used in the upright position only by children capable of sitting upright unassisted.
- Fall Hazard: Children have suffered severe head injuries including skull fractures when falling from high chairs. Falls can happen suddenly if child is not restrained properly. Always use restraints, and adjust to fit snugly.

HIGH CHAIR

- The high chair is designed for children from 6 months of age up to a weight of 15 kg.
- Not to use the high chair until the child can sit up unaided. The tray and its accessories are not designed to support the child's weight. The tray does not substitute the safety harness.
- Make sure the product is placed on a flat surface.
- The high chair is designed for use at tables without the tray. It is suitable for children from 12 months of age up to a weight of 15 kg.

A SINGLE PRODUCT WHICH FOLLOWS THE GROWTH OF YOUR CHILD.

- From 0 to 6 months, a comfortable reclined cradle;

- From the age of 6 months, a high chair for eating, playing and relaxing.
- From the age of 12 months, a high chair without a tray, for sitting at the table with the adults.

COMPONENTS OF THE ITEM

- Check the contents of the packaging and if you have any complaints please contact the assistance service.
A high chair with washable, removable padding and a double tray.

CLEANING AND MAINTENANCE

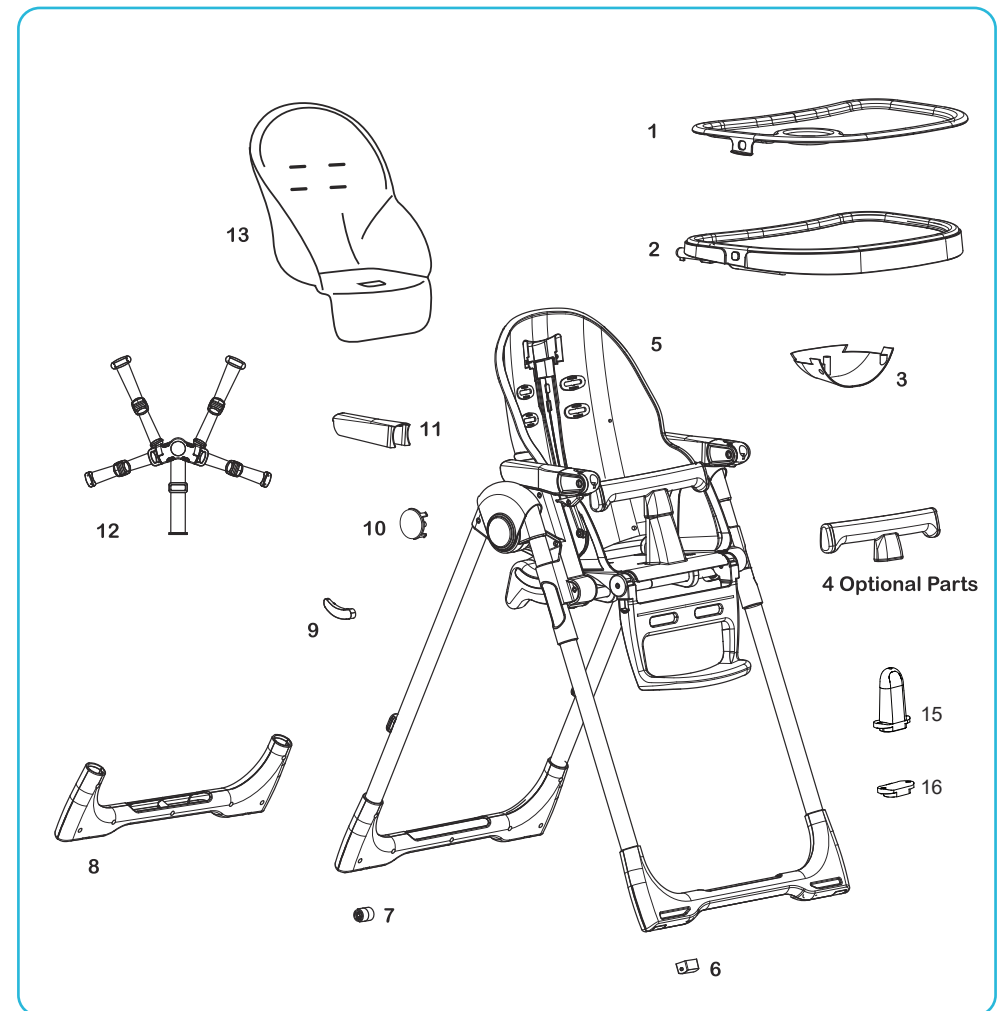
- **PRODUCT MAINTENANCE:** Protect from the weather: water, rain, or snow; prolonged and continuous exposure to bright sunlight may give rise to colour changes of various different materials; store this product in a dry place. The maintenance has to be regularly.

CLEANING THE FRAME:

- Periodically clean all plastic parts with a damp cloth. Do not use solvent or similar cleaning products; keep all metal parts dry to prevent rusting; keep moving parts clean (adjustment mechanisms, locking mechanisms, wheels, ...) and free of dust and sand and if necessary, lubricate with light machine oil all metallic moving parts. Check all nuts and bolts for tightness and tighten when required. Check all coverings for bolts and sharp edges and replace when required.
- Check slightly swing seat and attachments for evidence of deterioration. Replace when required in accordance with the manufacturer's instructions.

CLEANING THE COVER

- Wash with a damp cloth and neutral detergent. Do not wring.
- Do not use chlorine bleach. Do not iron. Do not dry clean. Do not use solvents for stain removal. Do not spin dry.

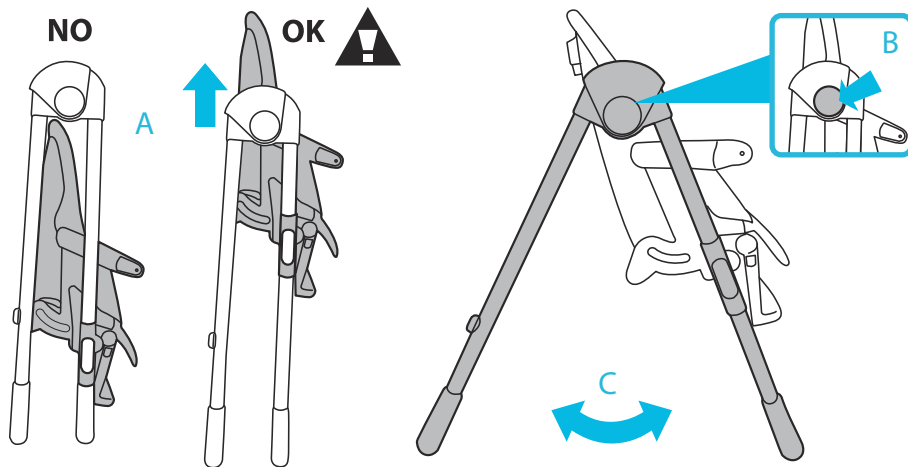


Rayne Highchair

Assembly Instructions

mocka

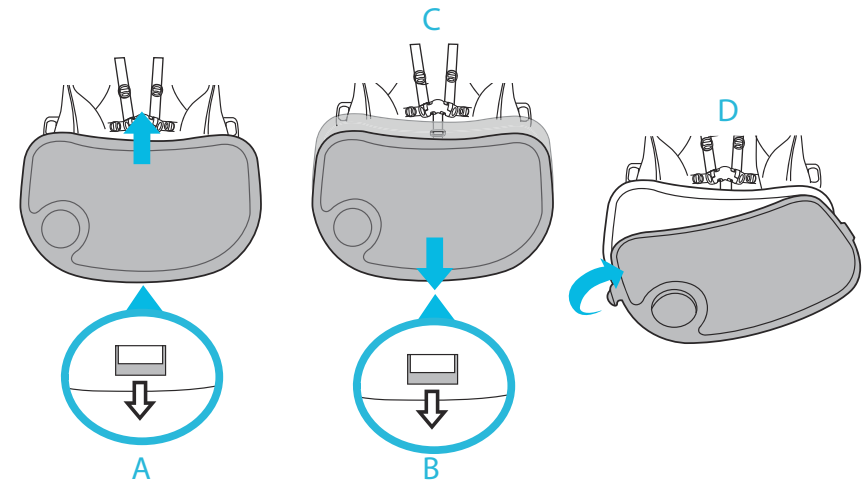
1



OPENING: Lift the seat (fig_a), press the side buttons (fig_b) and open the high chair (fig_c).

Note: When lowering your seat, gently slide it down the legs making sure not to hit the bottom of the seat brace on the stoppers as this can cause damage to your highchair.

2



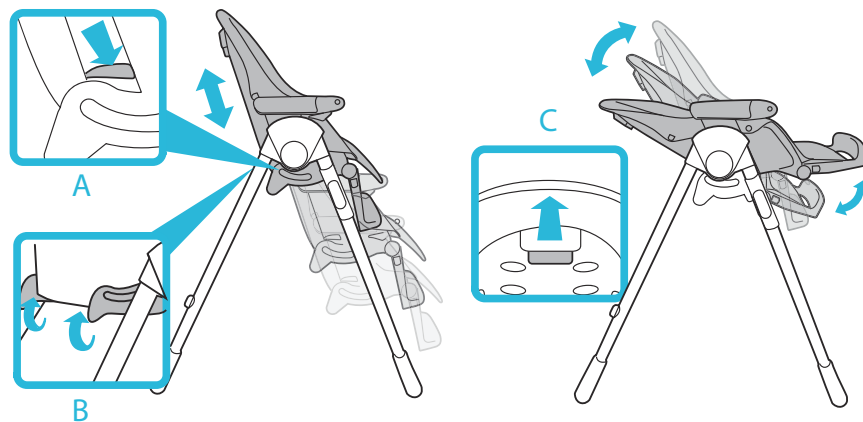
TRAY: To fit the tray, pull the central lever underneath it towards you while at the same time pushing it all the way into the armrests (fig_a). To extend or remove the tray, pull the central lever underneath it towards you (fig_b) and move it outwards (fig_c). To remove the tray, pull the side levers outwards and pull the tray towards you. The high chair has a double tray. The top tray can be easily washed at the sink. To remove it, detach it from the lower tray and lift it up (fig. d).

Rayne Highchair

Assembly Instructions

mocka

3



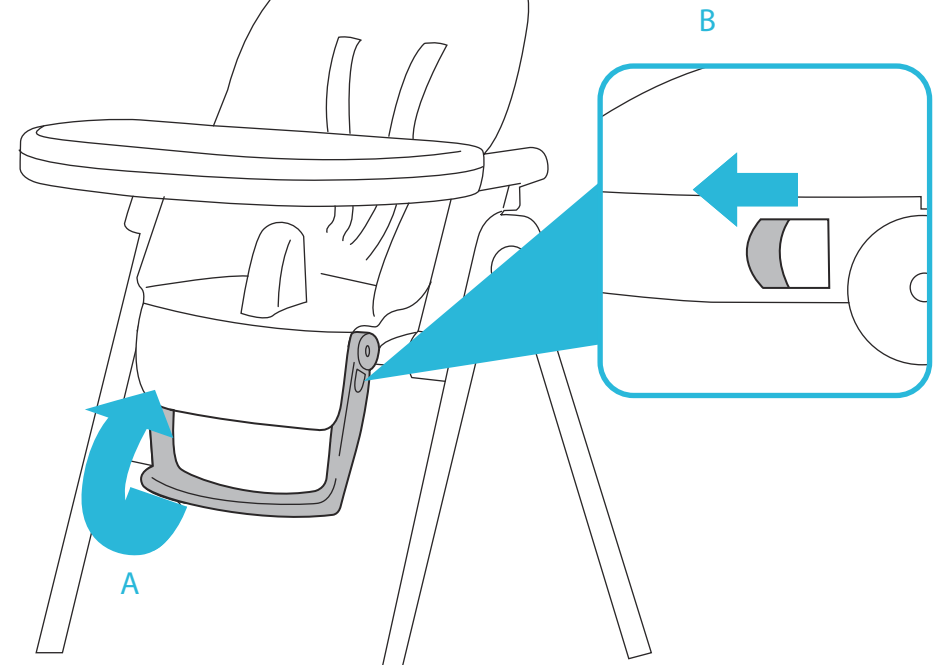
ADJUSTING THE HEIGHT: The chair can be set at 5 different heights. To lower the seat, pull the two levers downwards (fig.a) and move it to the required position. Holding the handle behind the backrest (fig.b) can also be used to raise the seat.

WARNING: Fall Hazard: This can't be done with the child in the high chair. Don't use when the horizontal height of the high chair is inconsistent.

RECLINING BACKREST: The seat can be reclined in 5 positions. To adjust it, raise the handle behind the backrest (fig.c) and lock it in the required position.

WARNING: Fall Hazard: Be sure to check that the backrest is fully locked after adjustment.

4



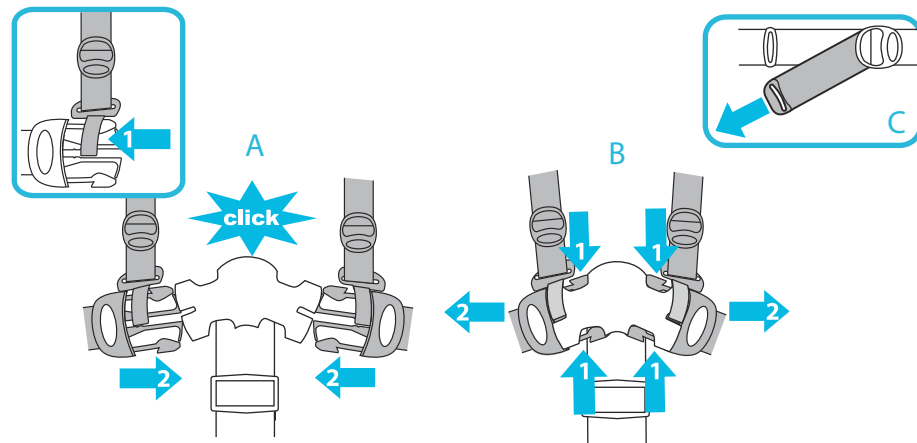
ADJUSTABLE FOOTREST: The footrest can be set in 3 positions. To raise it, push the footrest upwards (fig. a). To lower it, press the two side buttons at the same time (fig. b) and select one of the three available heights.

Rayne Highchair

Assembly Instructions

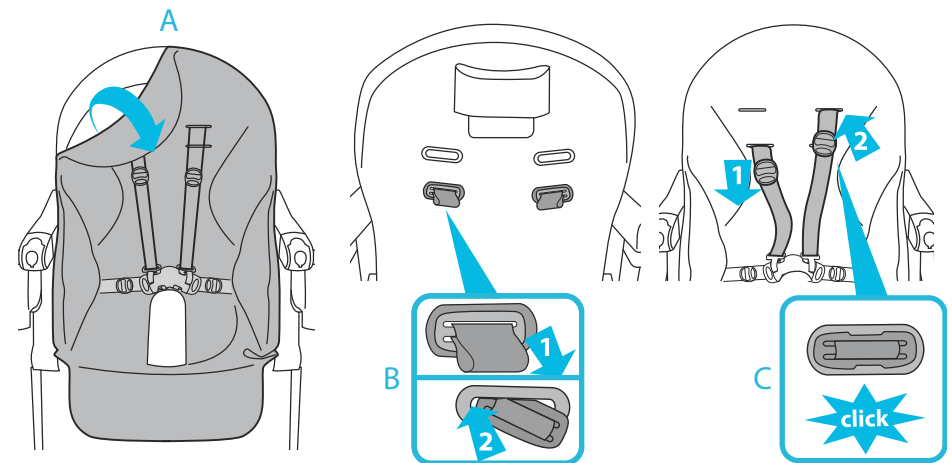
mocka

5



FIVE POINT SAFETY HARNESS: To close it, insert the two waist strap buckles (with attached shoulder straps) into the crotch strap until they click into position (fig_a). To release it, press the two sides of the buckles and at the same time pull the waist strap outwards (fig_b). To tighten the waist strap, pull from both sides in the direction of the arrow (fig_c), to loosen do the opposite.

6



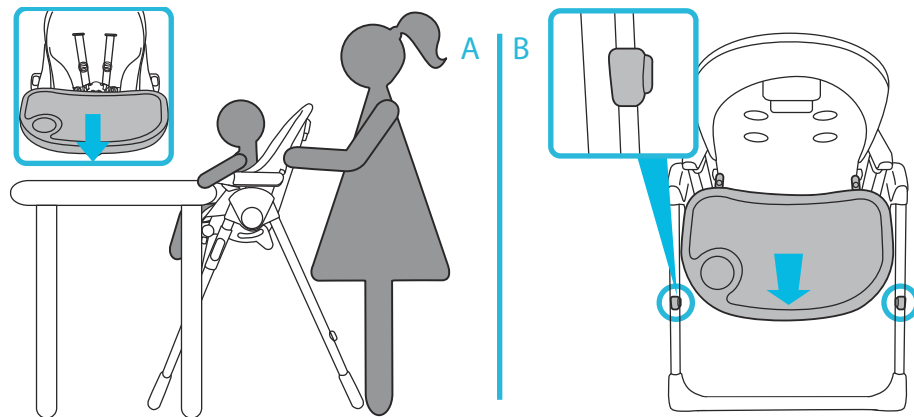
The shoulder straps of the harness can be set at two different heights. Partially remove the cover (fig_a), release the shoulder straps from the backrest (fig_b1) and pull them out from the cover (fig_b2). Insert the ends of the shoulder straps in the other slots in the cover and the backrest (fig_c), then put the cover back into the right position on the backrest.

Rayne Highchair

Assembly Instructions

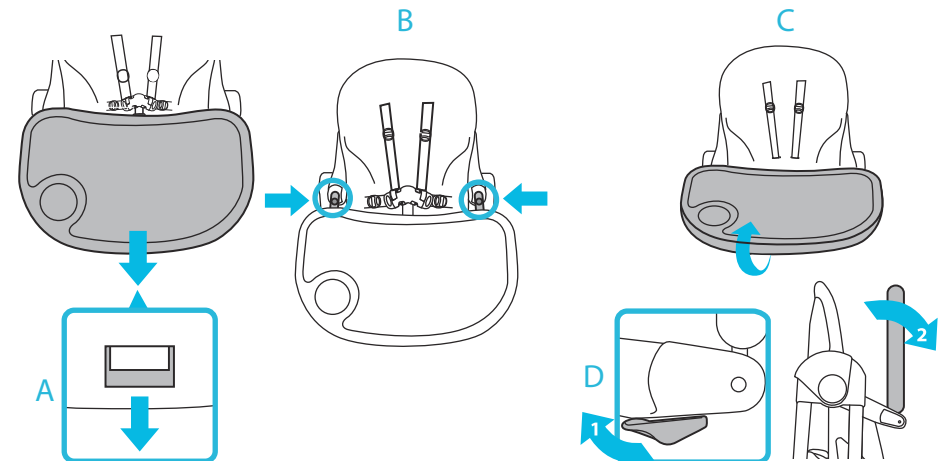
mocka

7



USE WITHOUT THE TRAY: To use the seat at the table, remove the tray (fig_a). To clip the tray on the rear supports of the high chair, align and engage it with the attachments (fig_b).

8



CLOSING AND REOPENING THE TRAY: Pull the central lever underneath the tray towards you (fig_a) and extend it as far as the red markers (fig_b), then swing it upwards to lock it in place (fig_c). To reopen the tray, press the lever under the armrest (fig_d), swing it downwards, then pull the central lever towards you and put the tray in one of the positions for use.

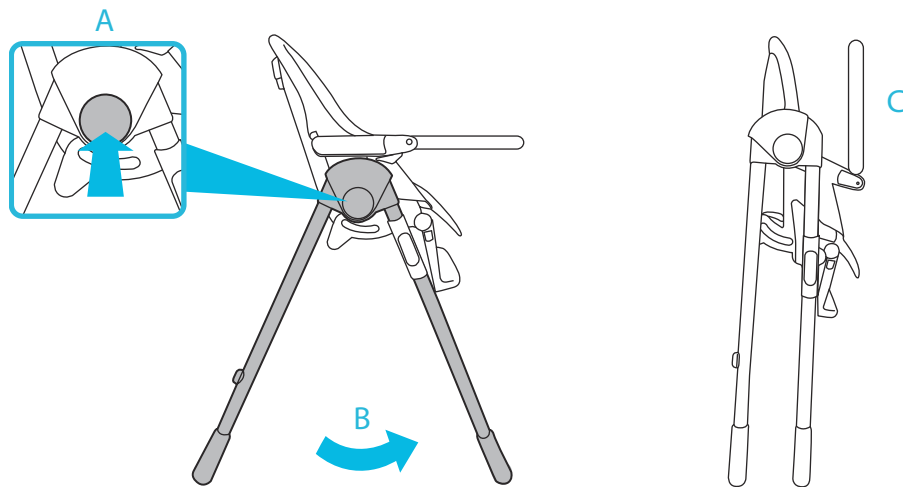
WARNING: When the tray is turned up, make sure that the chair is placed in a safe position where the child can not reach it to prevent the tray from falling.

Rayne Highchair

Assembly Instructions

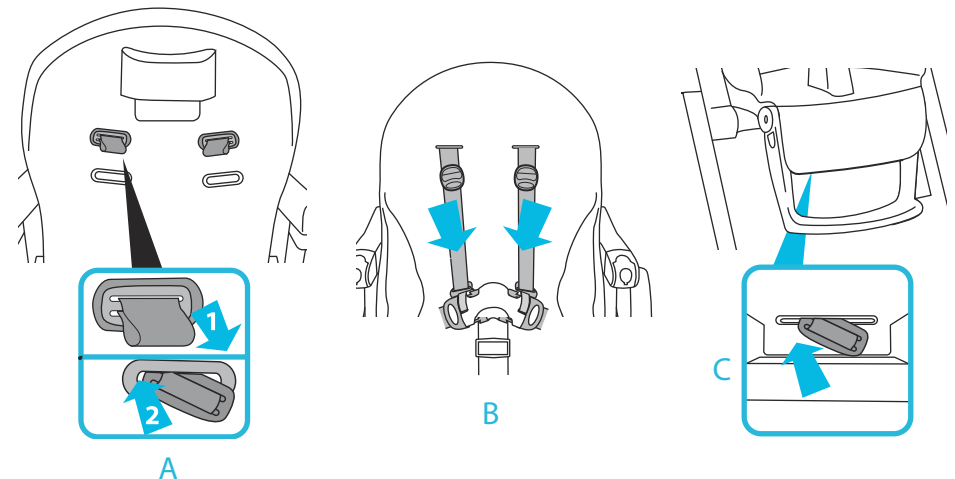
mocka

9



FOLDING UP: Press the side buttons (fig_a) and fold up the high chair (fig_b). Fig_c shows a folded-up high chair.

10



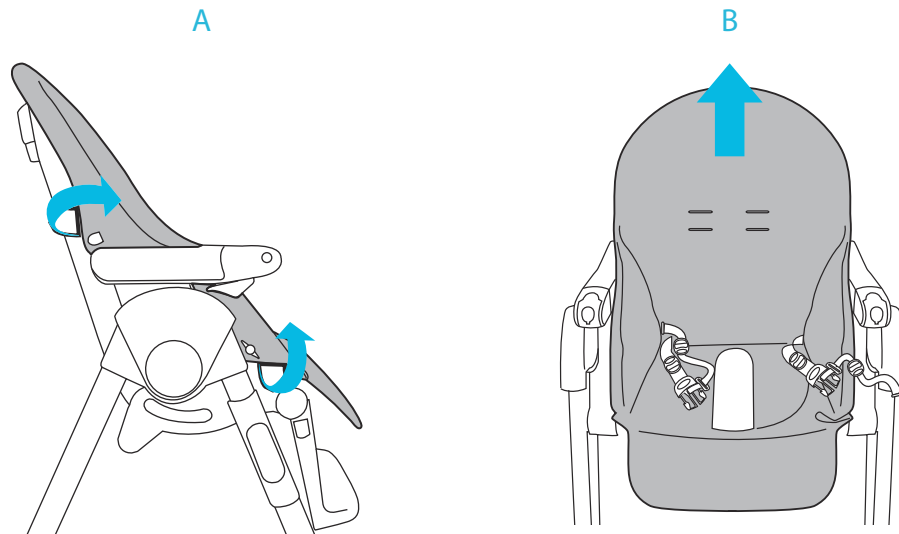
REMOVABLE COVERS: To remove the covers of the seat, pull off the upper part of the fabric covering and pull the harness straps through the backrest (fig_a) and the fabric covering (fig_b). Lower the backrest and pull out the leg divider strap from under the seat (fig_c).

Rayne Highchair

Assembly Instructions

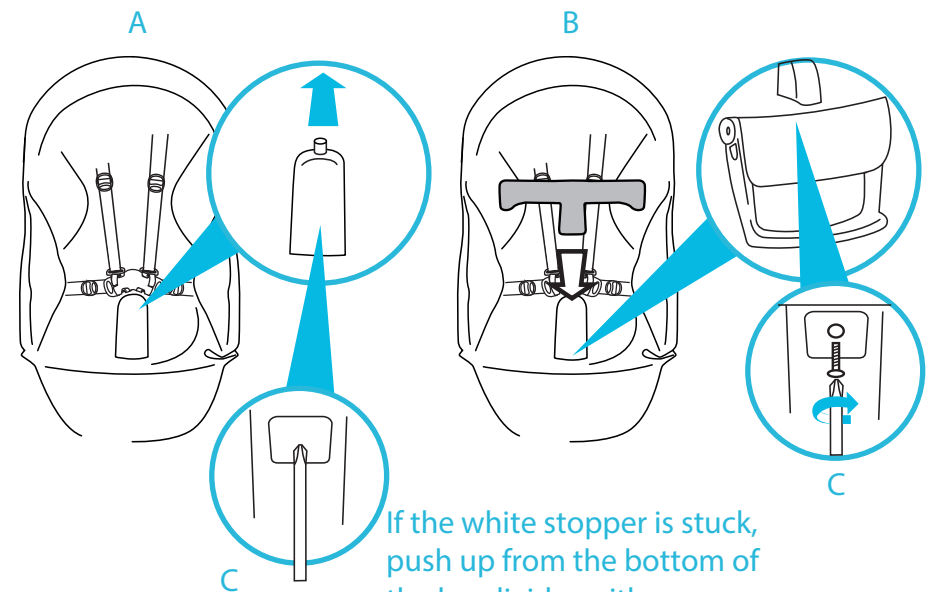
mocka

11



Unbutton the cover at the sides (fig. a) and pull up to remove it (fig. b).

12 Optional Part
0-2 years



If the white stopper is stuck, push up from the bottom of the leg divider with a screwdriver to pop it out.

WARNING: Always use the restraint system, and adjust to fit snugly.

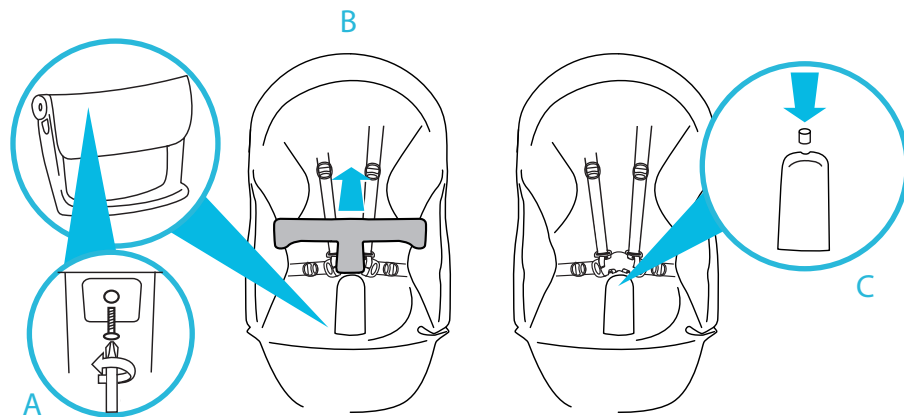
Please remove the white stopper from the leg divider (fig_a), then insert the T bar into the leg divider (fig_b), Finally, use a screwdriver to tighten the screws to secure the T bar (fig_c)

Rayne Highchair

Assembly Instructions

mocka

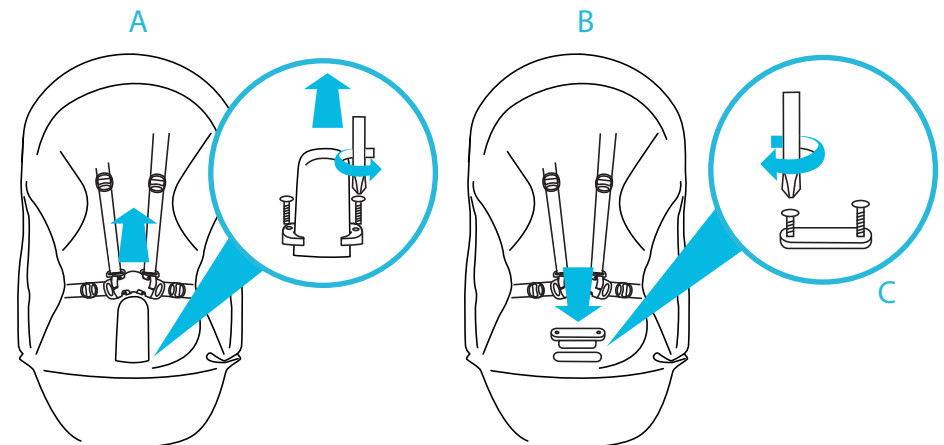
13 Optional Part 2-3 years



WARNING: Never leave the child unattended! Please keep accessories away from babies and children to avoid harms from eating by mistake.

Use a screwdriver to loosen the screws underneath the seat (fig_a), then take out the T bar (fig_b) and put the white stopper into the leg divider (fig_c).

14 Optional Part 3+ years



Turn over the cushion and loosen the screws at two sides of the leg divider, then take off the leg divider (fig_a), press the small white insert block into the seat (fig_b) and tighten the screws on both sides (fig_c).