

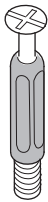
Activity Table

ASSEMBLY INSTRUCTIONS

mocka

Thank you for purchasing the Mocka Activity Table.
Please follow the instructions below for correct assembly

A



bolt
x52

B



locking nut
x52

C



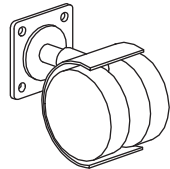
dowel
x48

D



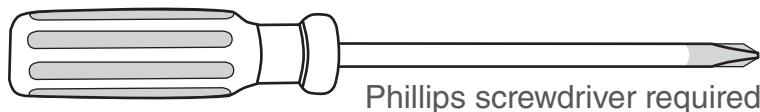
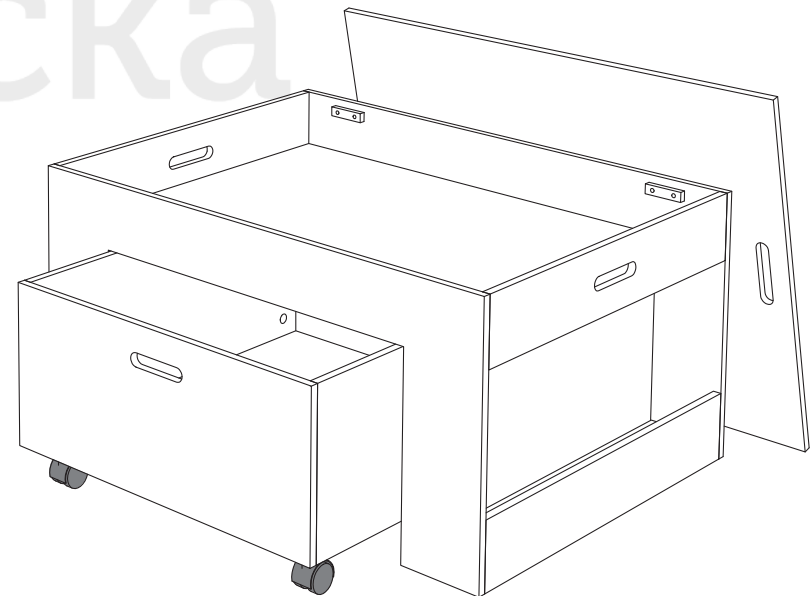
screw
x16

E



wheels
x4

Hardware Supplied



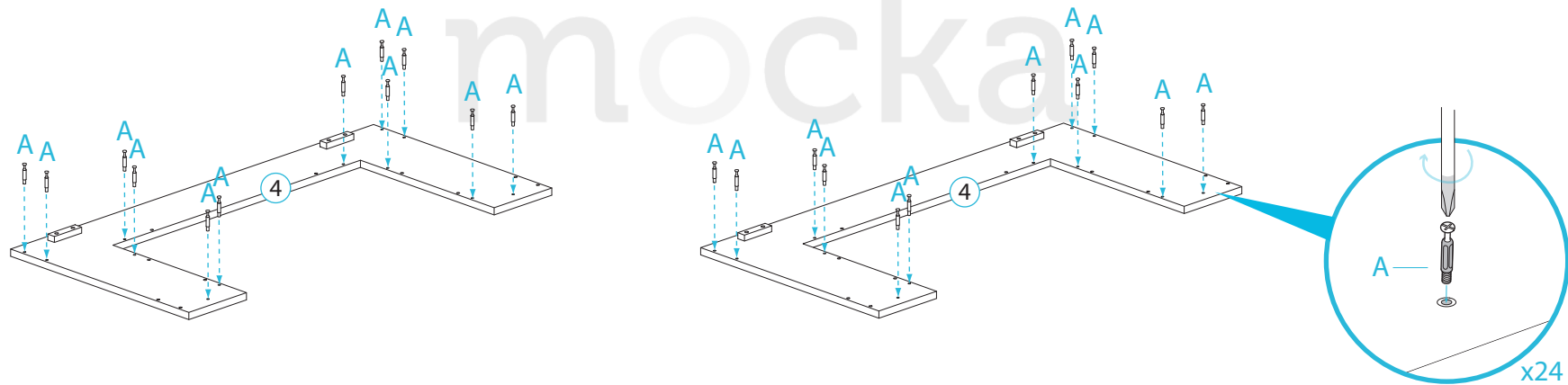
Phillips screwdriver required

Activity Table

ASSEMBLY INSTRUCTIONS

mocka

1



Begin assembly by screwing in 24x bolts (A) into all corresponding holes as shown in both panels [4] using a Phillips screwdriver. Take care not to overtighten bolts.

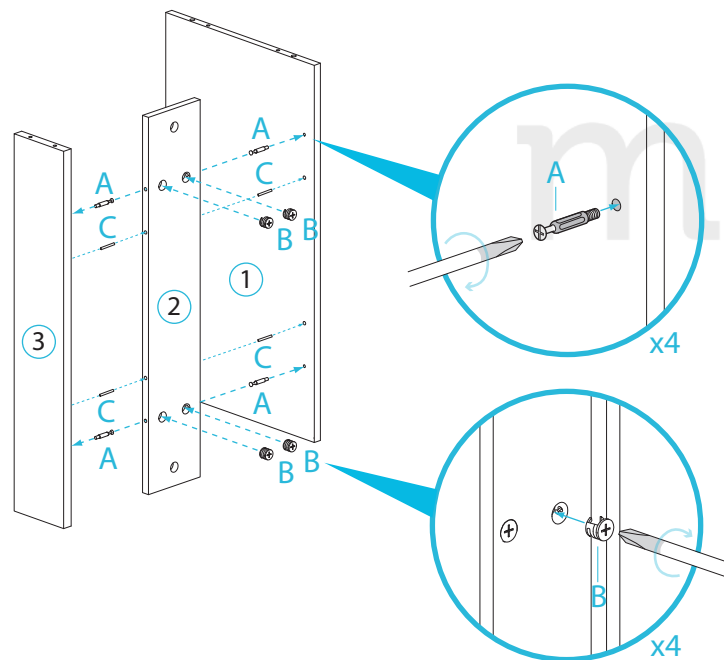
2

Activity Table

ASSEMBLY INSTRUCTIONS

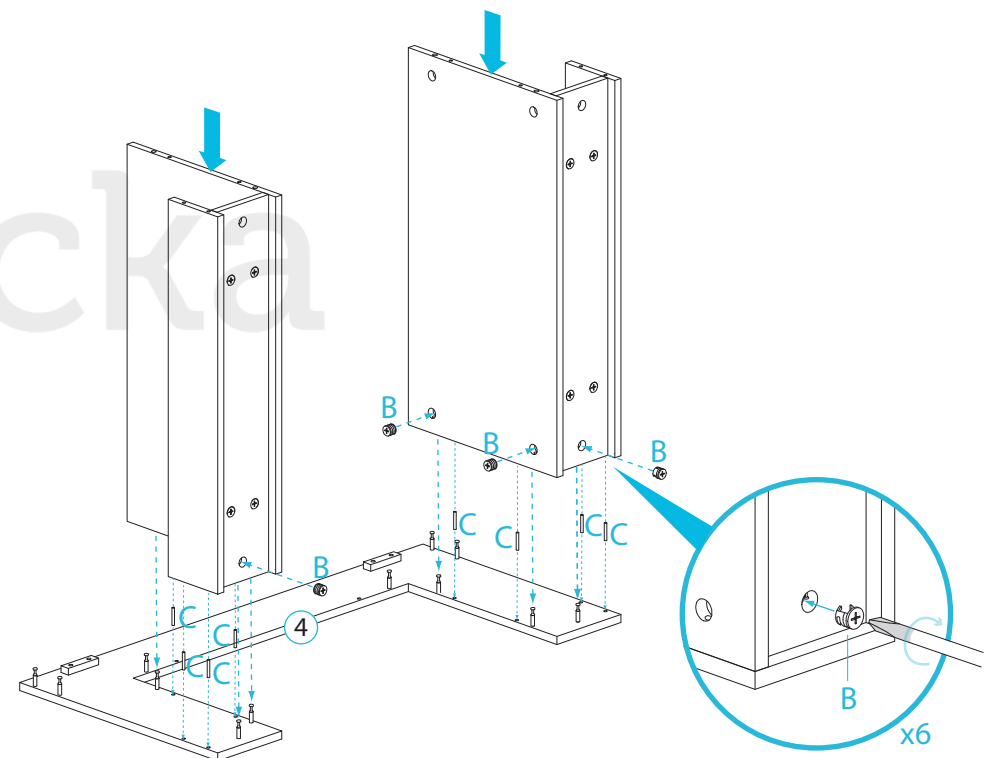
mocka

2 x2



Screw in 2x bolts (A) and insert 2x dowels (C) into holes in each of the panels [1] and [3]. Slot together with the rest of panel [2] as shown. Place locking 4x nuts (B) into holes in the panel and tighten with screwdriver. Repeat step.

3



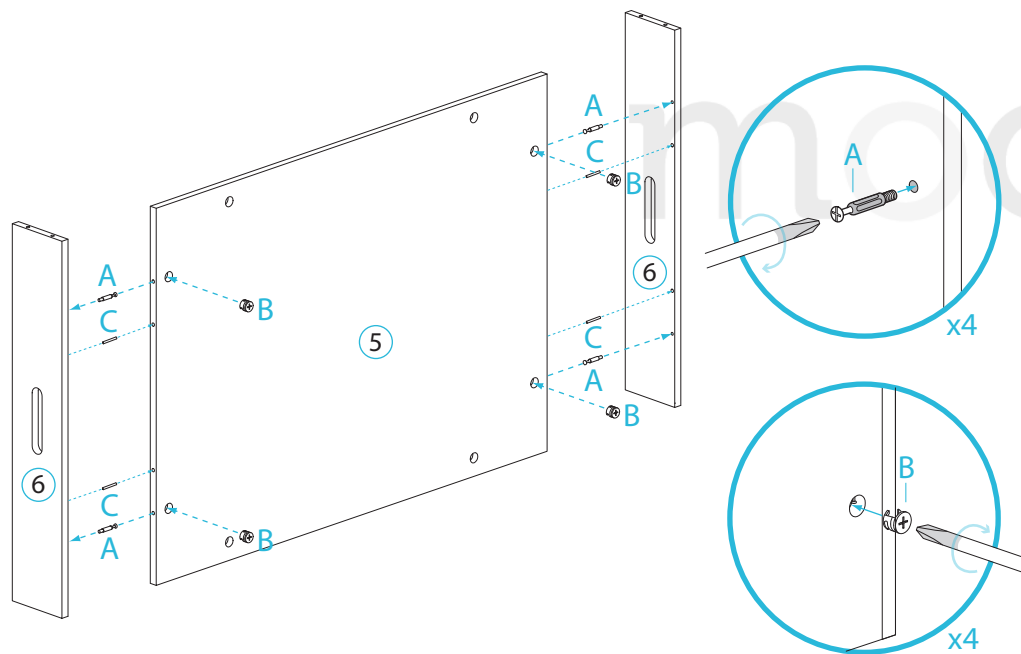
Slot both the components assembled in the previous step together with one panel [4]. Place 6x locking nuts (B) and 8x dowels (C) into holes in the panels as shown and tighten with screwdriver.

Activity Table

ASSEMBLY INSTRUCTIONS

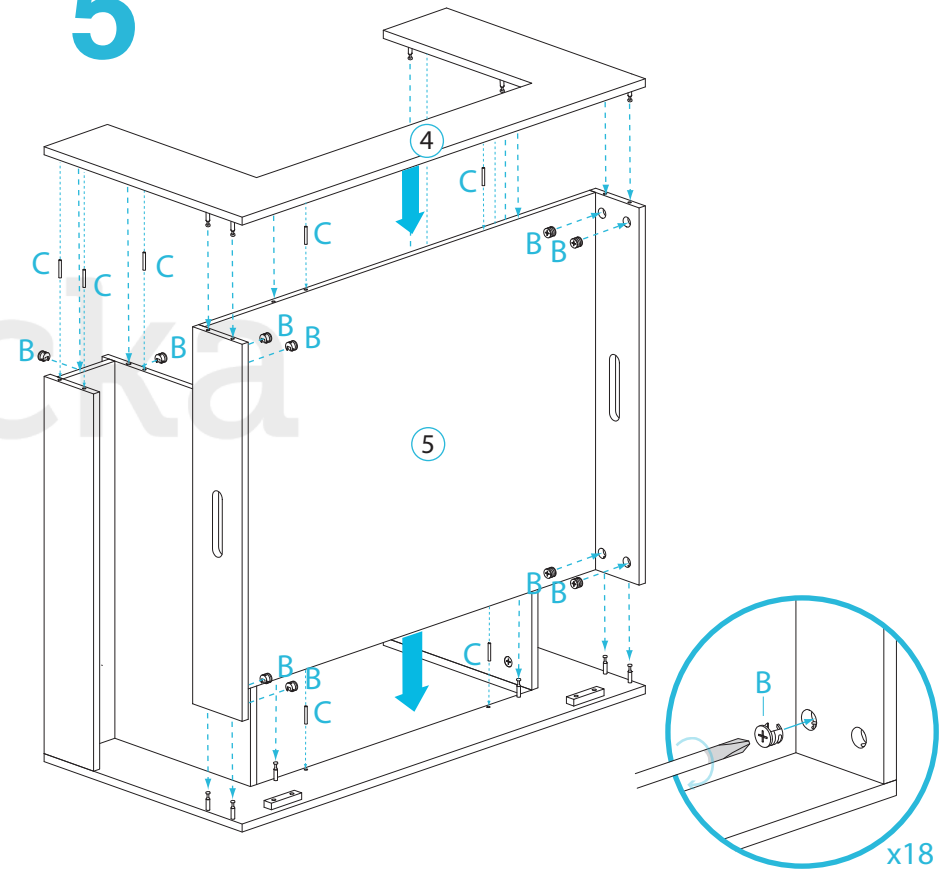
mocka

4



Screw in 2x bolts (A) and insert 2x dowels (C) into holes in each of panels [6]. Slot together with the table panel [5] as shown. Place locking 4x nuts (B) into holes in the panel [5] and tighten with screwdriver.

5



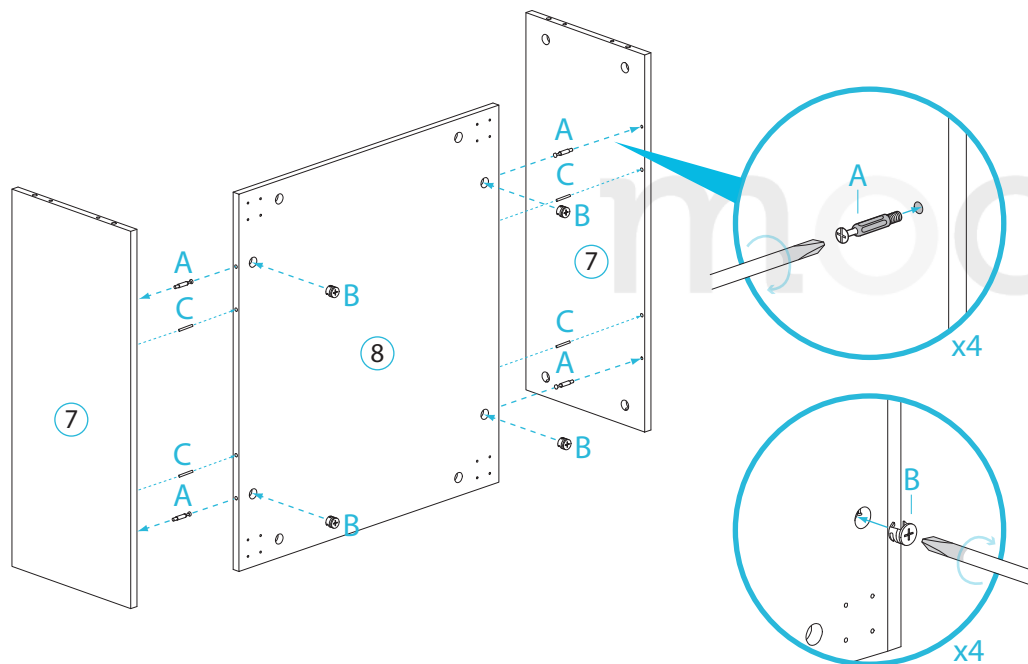
Slot the tray together onto the rest of the table structure as shown. Place 6x locking nuts (B) and 4x dowels (C) into holes. Insert 8x dowels (C) into the top and slot on side panel [4]. Fasten with 12x locking nuts (B) and tighten with a screwdriver.

Activity Table

ASSEMBLY INSTRUCTIONS

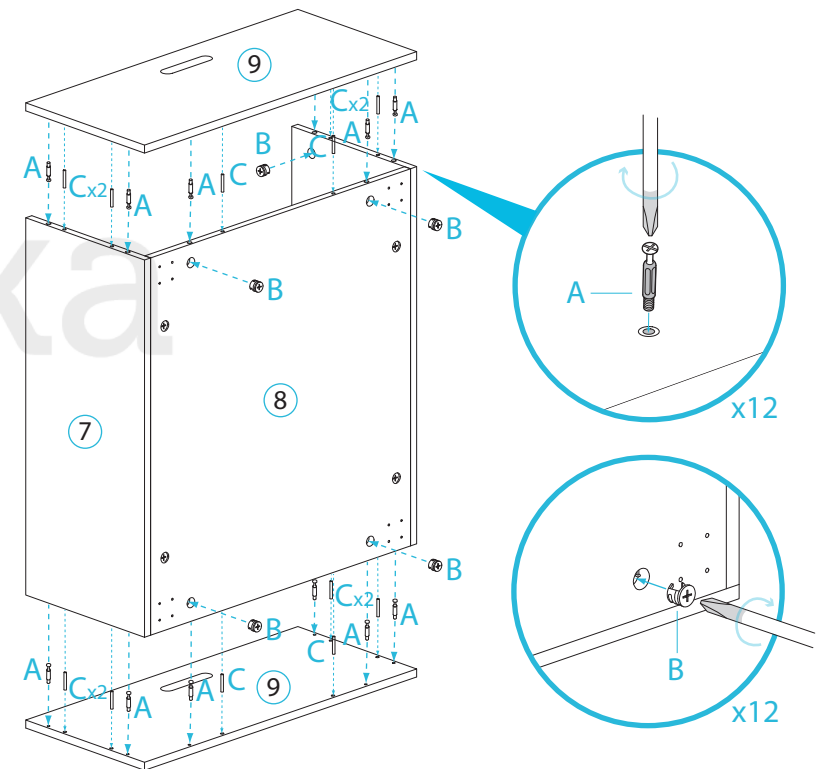
mocka

6 Drawer



To assemble the drawers first screw 2x bolts (A) and insert 2x dowels (C) into each of the panels [7]. Fit together with panel [8] as shown. Secure using 4x locking nuts (B) and fasten with a screwdriver.

7 Drawer



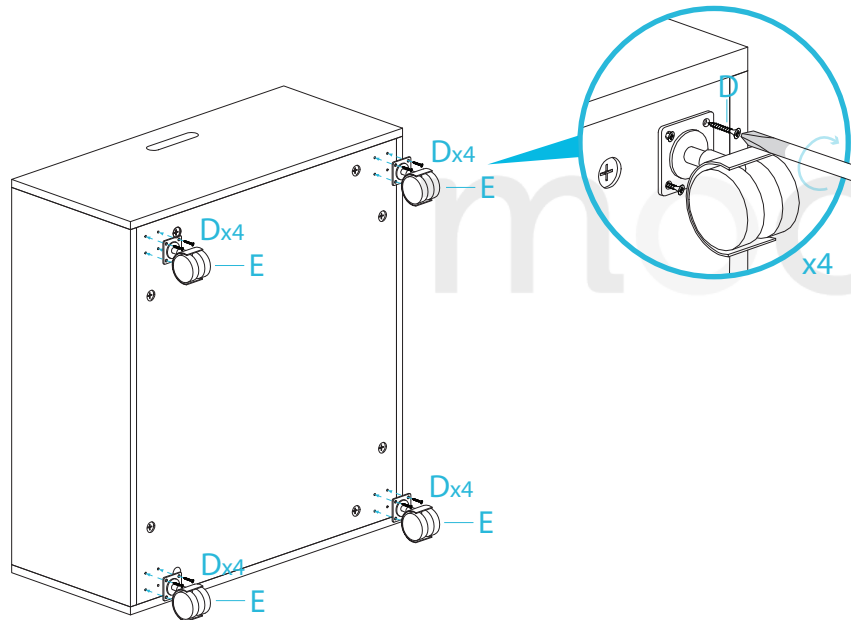
Attach the sides by screwing 6x bolts (A) and inserting 6x dowels (C) into each of the panels [9]. Slot both panels [9] down into holes in panels [7] and [8]. Secure using 12x locking nuts (B) and fasten with a screwdriver.

Activity Table

ASSEMBLY INSTRUCTIONS

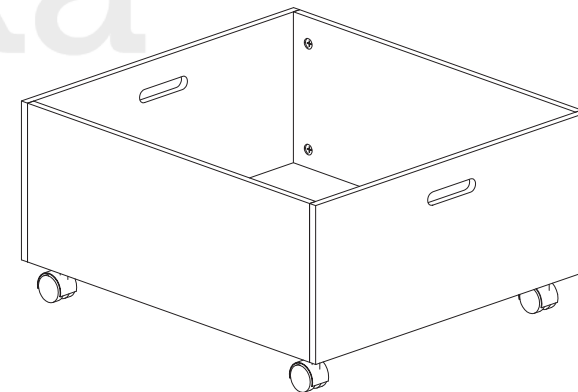
mocka

8 Drawer



Attach 4x wheels (E) in position to the base of the drawer unit using 4x screws (D) with each wheel piece. Tighten all screws securely with a screwdriver.

9 Drawer



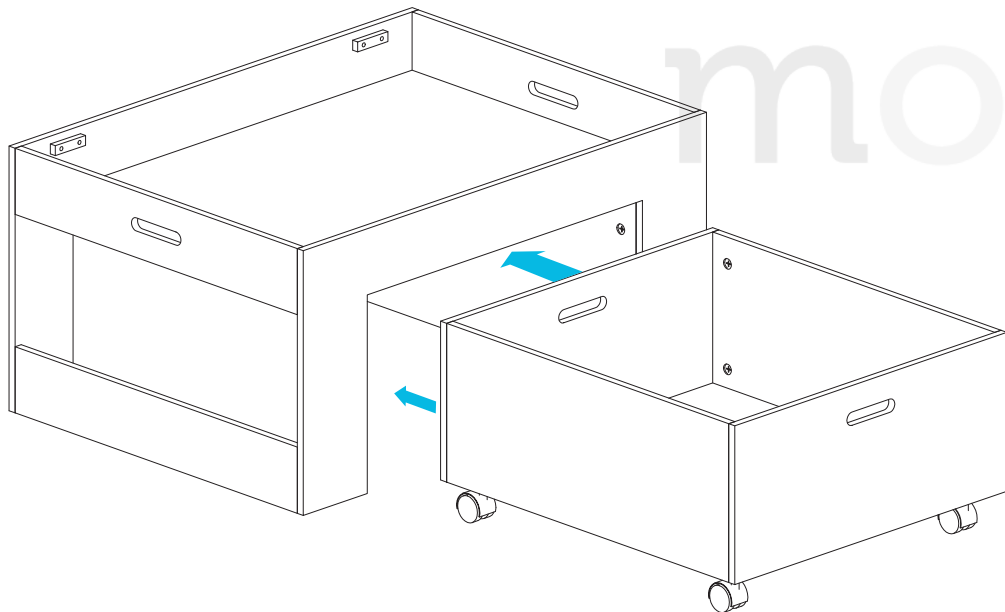
The drawer assembly is all done! Flip the drawer up onto its wheels as shown, and follow on to final steps to complete assembly of the Activity Table.

Activity Table

ASSEMBLY INSTRUCTIONS

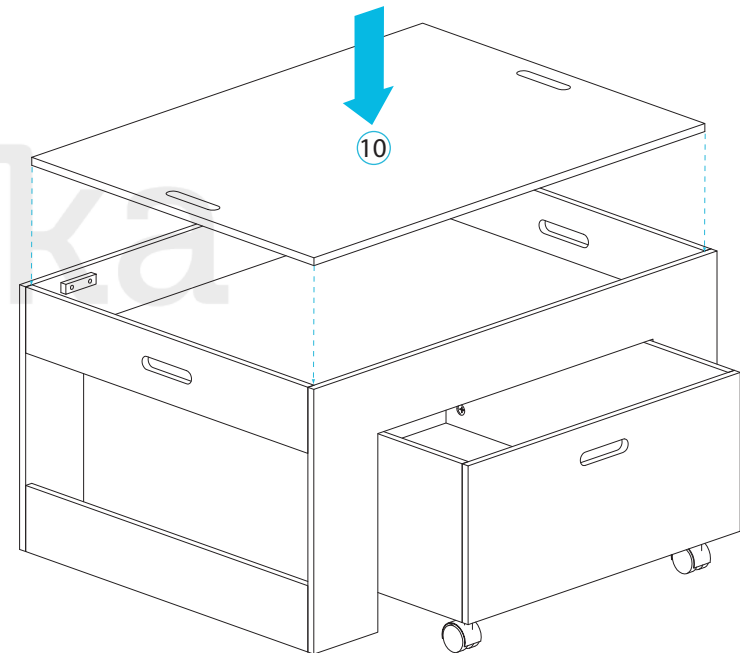
mocka

10



Slide the completed drawer under the activity table. Finally check all screws and locking nuts are securely fastened with a screwdriver before use.

11



Place the lid [10] over the activity table when it's not in use. All done! Enjoy!