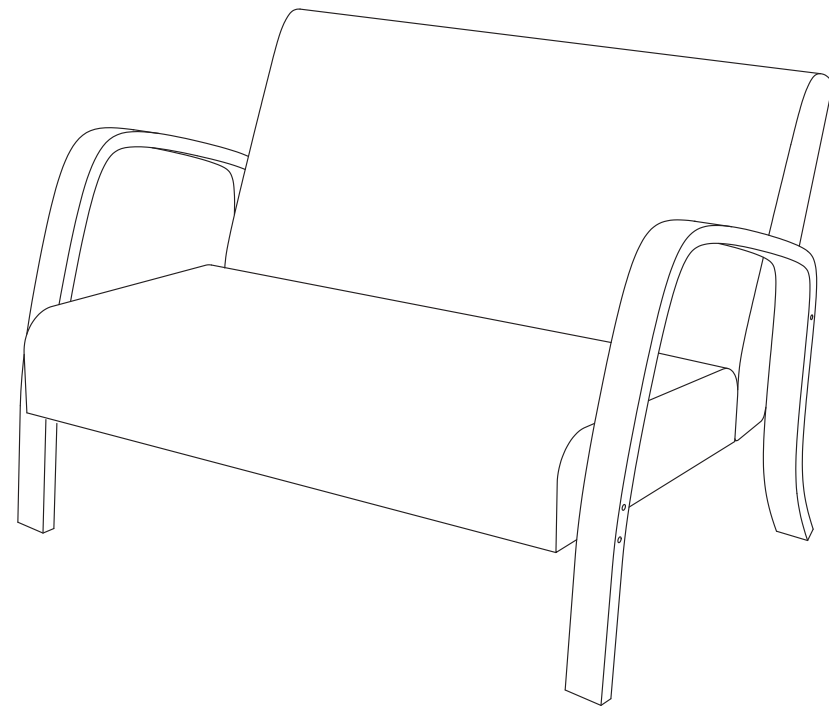
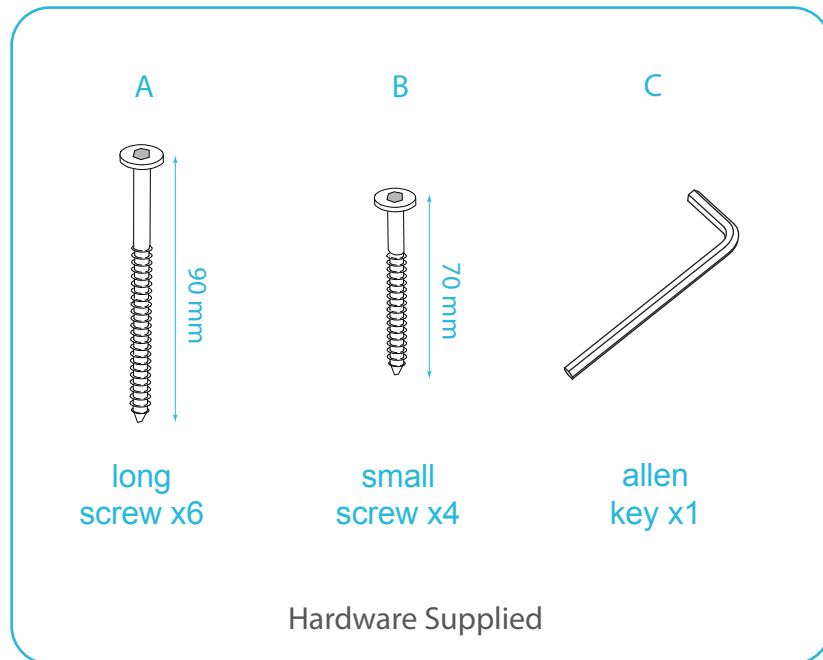


# Britta Duo

## Assembly Instructions

Thank you for your purchase.  
Please follow the instructions below for correct assembly.

# mocka

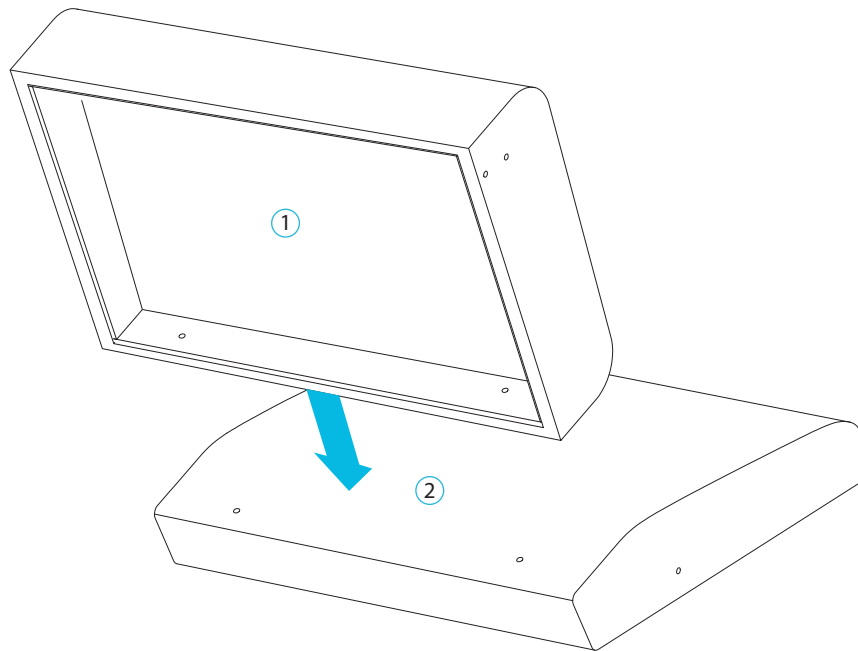


# Britta Duo

## Assembly Instructions

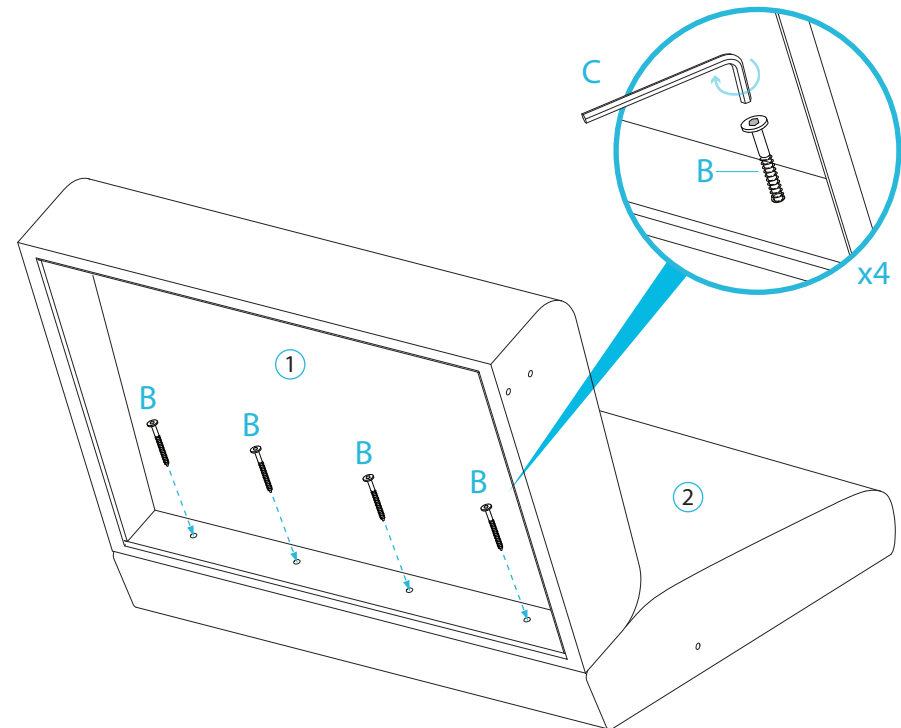
mocka

1



To begin assembly, fit the seat [1] and back cushion [2] together in the position shown.

2



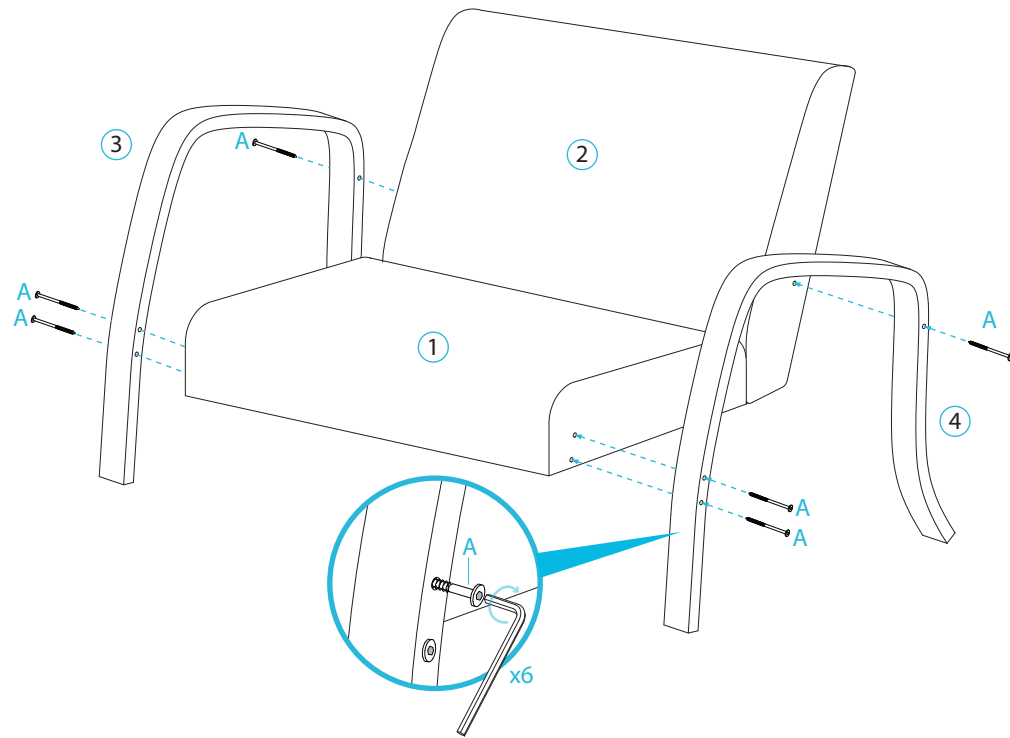
Attach seat pieces together with 4x small screws (B) through underside of piece [1] as shown. Tighten with the allen key (C).

# Britta Duo

## Assembly Instructions

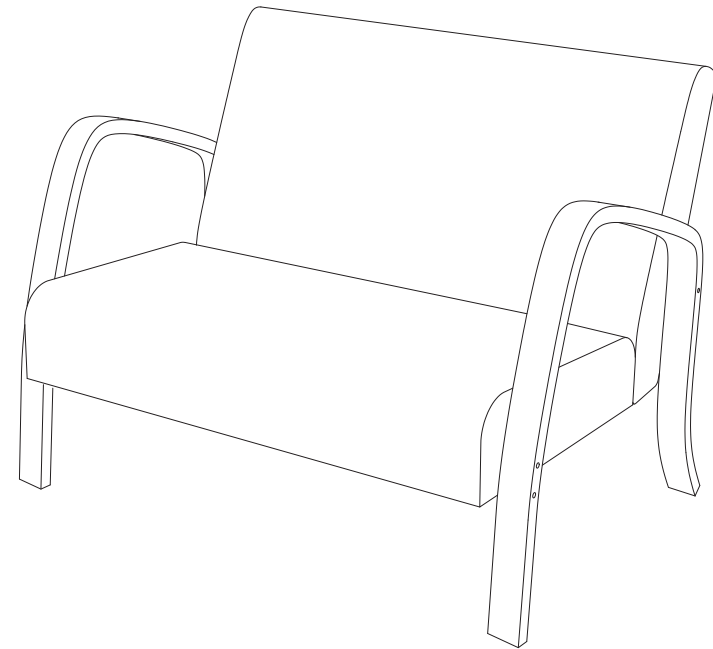
mocka

3



Attach the wooden leg panels to [3] and [4] to chair body with 3x long screws (A) in each leg. Securely tighten all screws with the allen key (C).

4



Ensure all screws are secure before and during use. You're done, enjoy!