
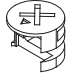



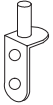
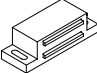
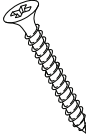

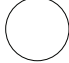
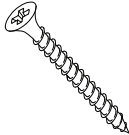



Oli Bookcase






Assembly Instructions

Thank you for your purchase.
Please follow the instructions below for correct assembly.

mocka

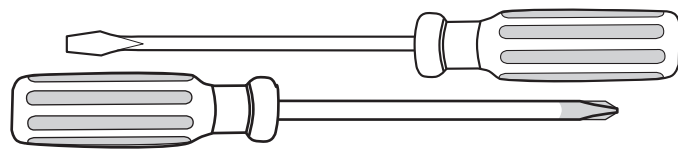
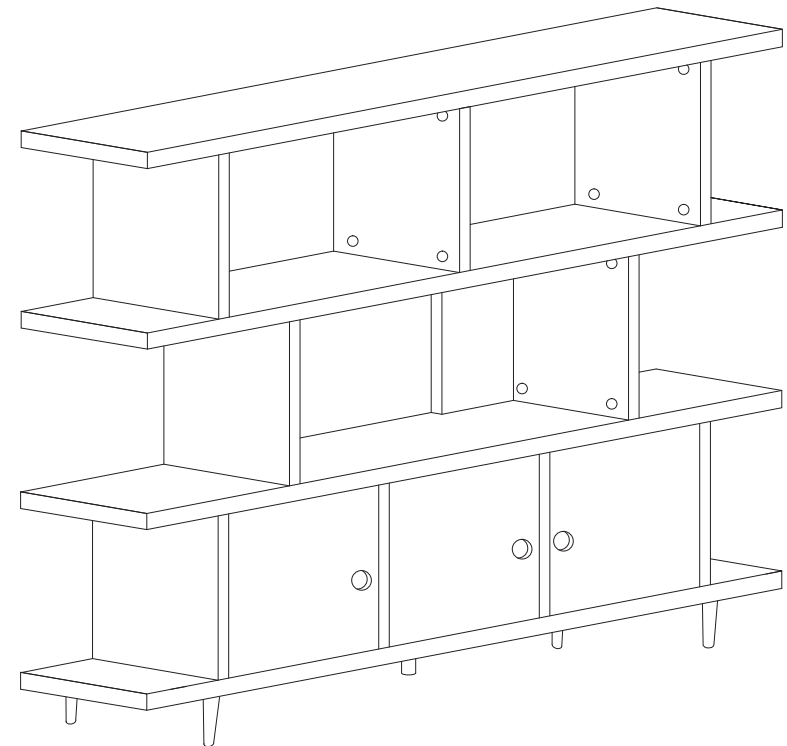
			
44x bolt	44x locking nut	36x dowel	3x latch
			
18x screw	6x hinge	3x stopper	6x screw
			
1x adjuster	20x cover	12x screw	12x wedge

Hardware Supplied

	
3x wall strap	3x anchor
	
3x screw	3x washer
	
3x wall screw	

Wall Strap

WARNING: Any furniture that is not anchored to a wall has the potential to tip over in certain circumstances, i.e. if a child attempts to climb up on the furniture or in the event of an earthquake. Accordingly, we recommend that all furniture is anchored to a wall. We supply a free safety wall anchor with all furniture sold and we recommend these are used to prevent your product tipping. The fixing device provided should fit most wall types, but please note that different wall materials may require different fixing devices from those supplied.



Phillips & Flathead screwdrivers required
For quicker assembly, we recommend the use of a power drill on a low-speed setting.

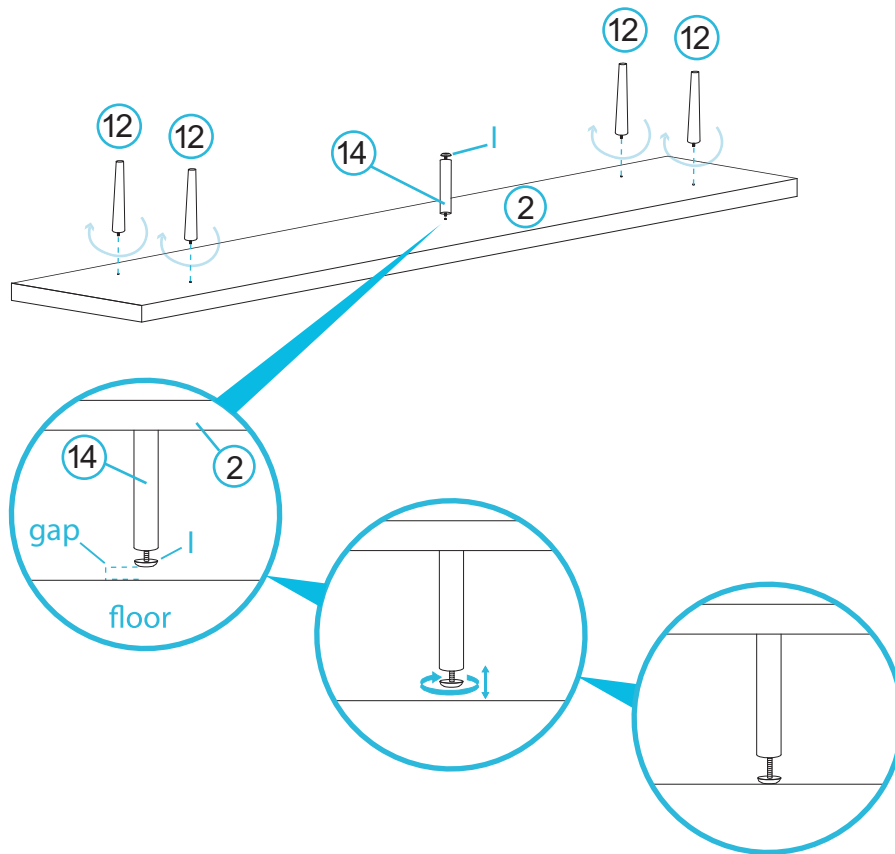
*We recommend using a Flathead screwdriver to tighten all locking nuts 100% before first use. Please clear any loose wood from the locking nut holes before inserting the nut to ensure it locks 100%.

Oli Bookcase

Assembly Instructions

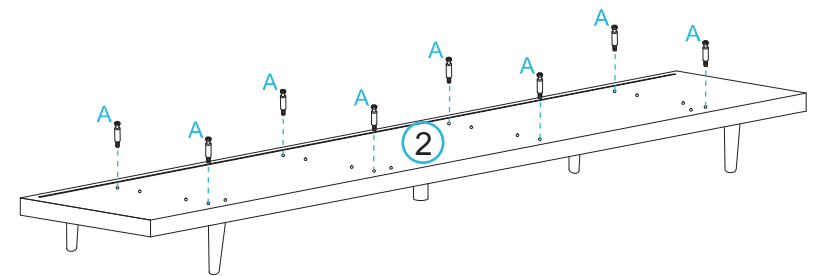
mocka

1



Firmly screw 4x leg [12] and 1x leg [14] to the base of panel [2].
Screw adjuster (I) into leg [14] and level to floor if needed.

2



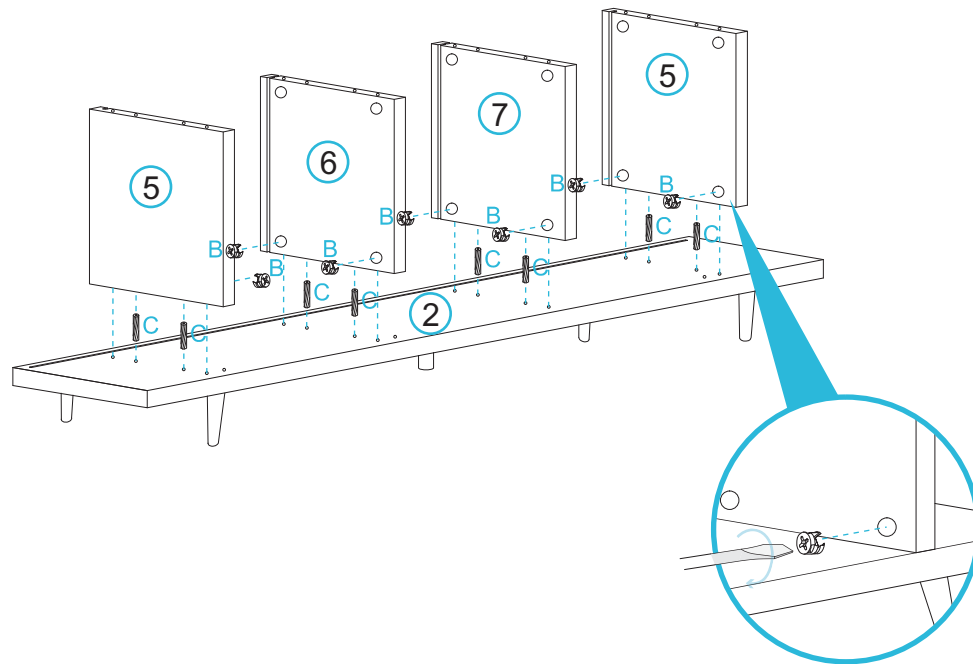
Attach 8x bolt (A) to panel [2].
Tighten with a screwdriver.

Oli Bookcase

Assembly Instructions

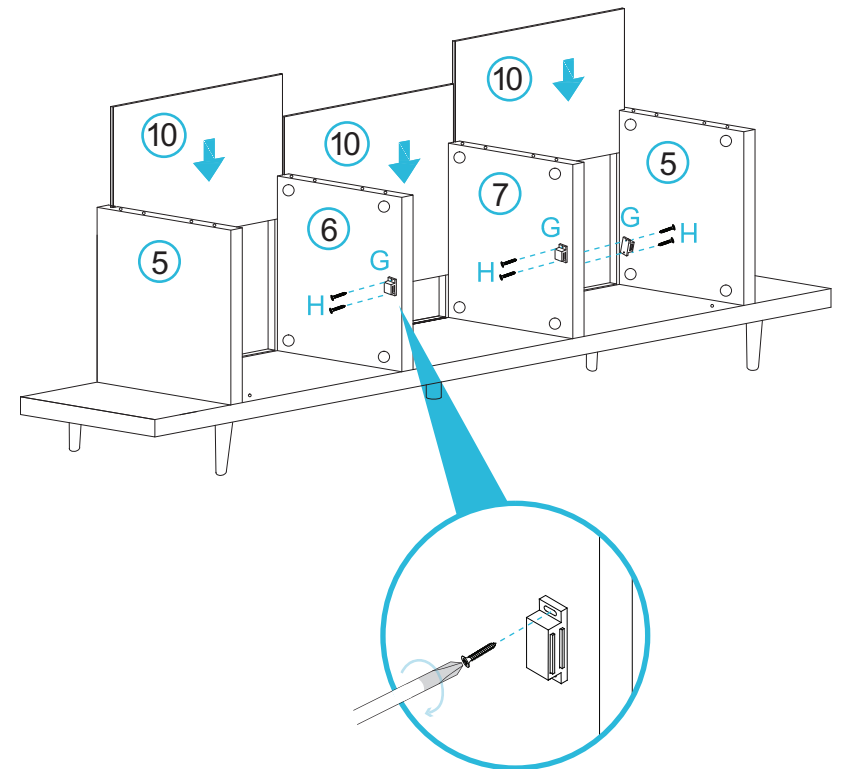
mocka

3



Insert 8x dowel (C) into panel [2].
Attach panels [5], [6] and [7] to panel [2] with 8x locking nut (B).
Tighten with a screwdriver.

4



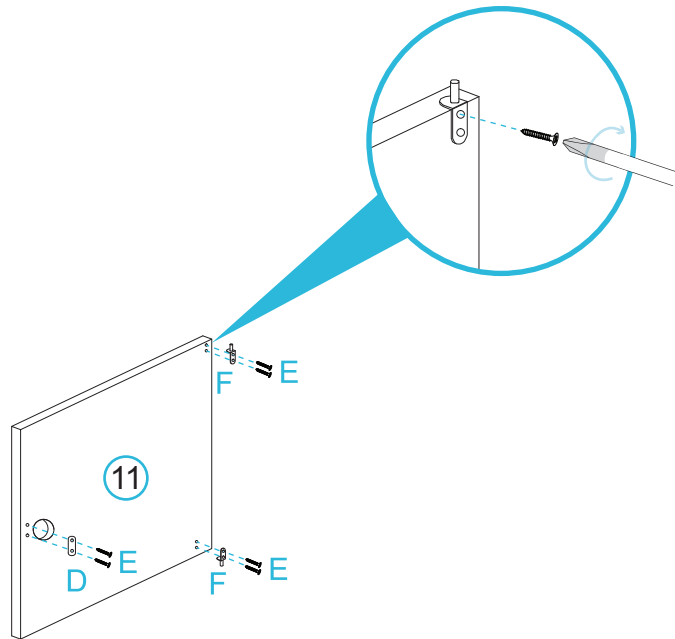
Attach 3x stopper (G) to panels [6] and [7] with 6x screw (H).
Tighten with a screwdriver.
Slide 3x panel [10] into the groves in panels [5], [6] and [7] to form the back of the unit as shown.

Oli Bookcase

Assembly Instructions

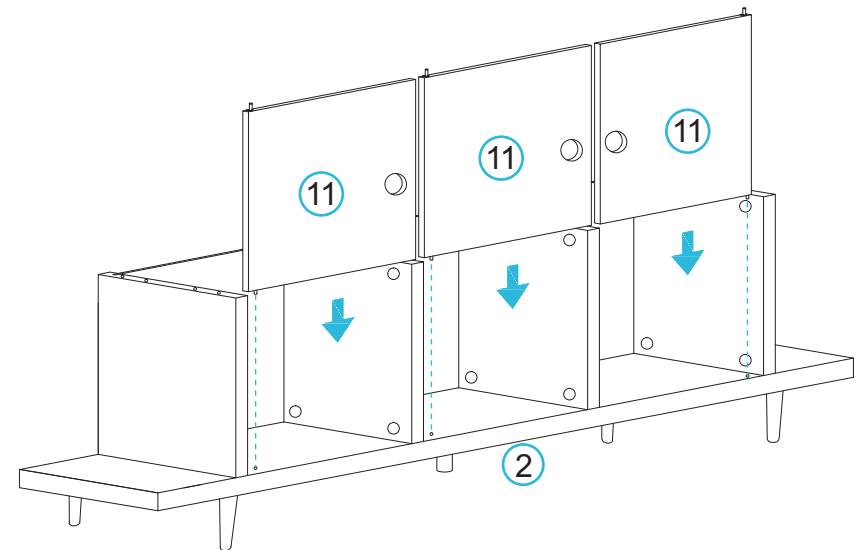
mocka

5 x3



Attach 1x latch (D) to panel [11] with 2x screw (E).
Attach 2x hinge (F) to panel [11] with 4x screw (E).
Tighten with a screwdriver.

6



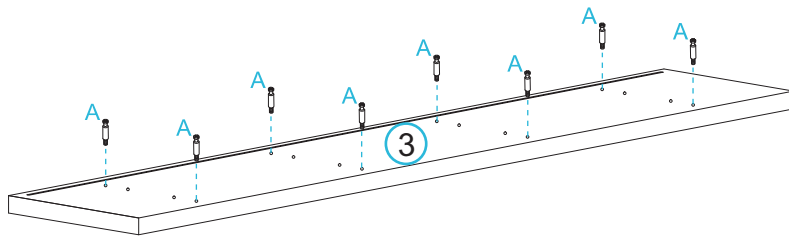
Insert the bottom hinge (F) attached to panels [11] into the grooves on panel [2].

Oli Bookcase

Assembly Instructions

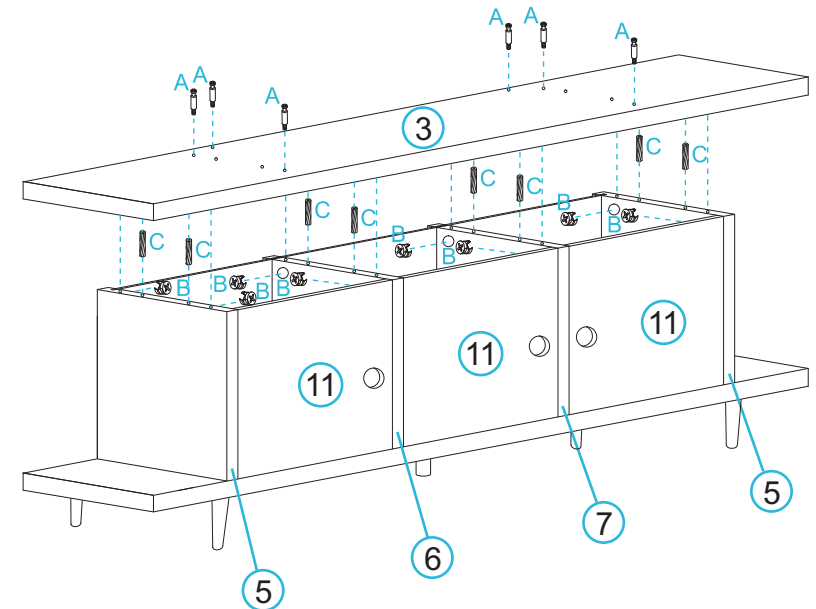
mocka

7



Attach 8x bolt (A) to the bottom side of panel [3].
Tighten with a screwdriver.

8



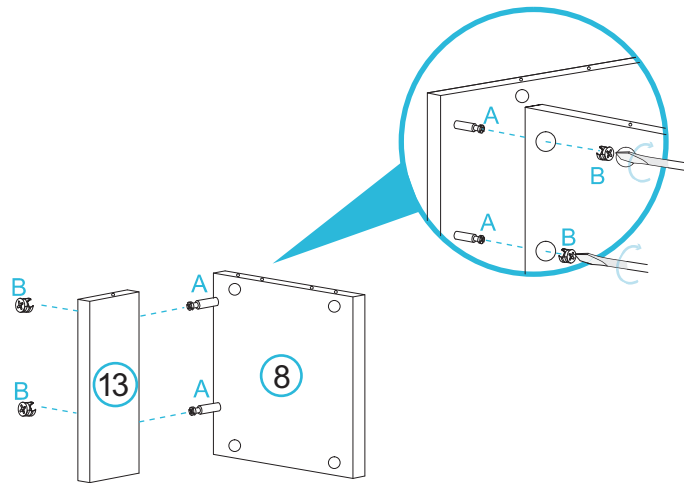
Insert 8x dowel (C) into panels [5], [6] and [7].
Attach panel [3] to panels [5], [6] and [7] with 8x locking nut (B) making
sure the top hinge (F) attached to panels [11] insert into the groves on
panel [3]. Attach 6x bolt (A) to the top side of panel [3].
Tighten with a screwdriver.

Oli Bookcase

Assembly Instructions

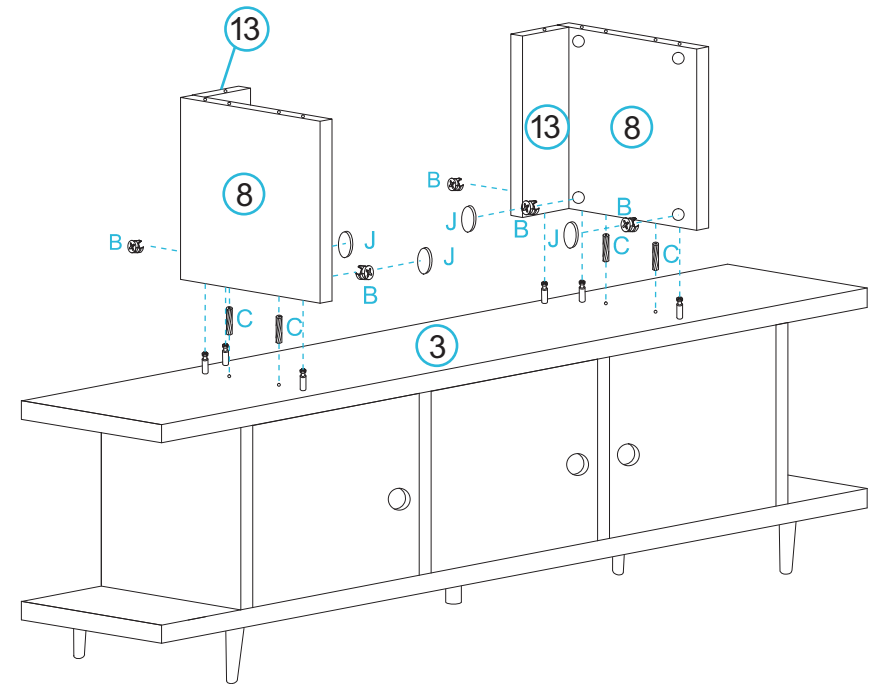
mocka

9 x2



Attach 2x bolt (A) to panel [8].
Attach panel [13] to panel [8] with 2x locking nut (B).
Tighten with a screwdriver.

10



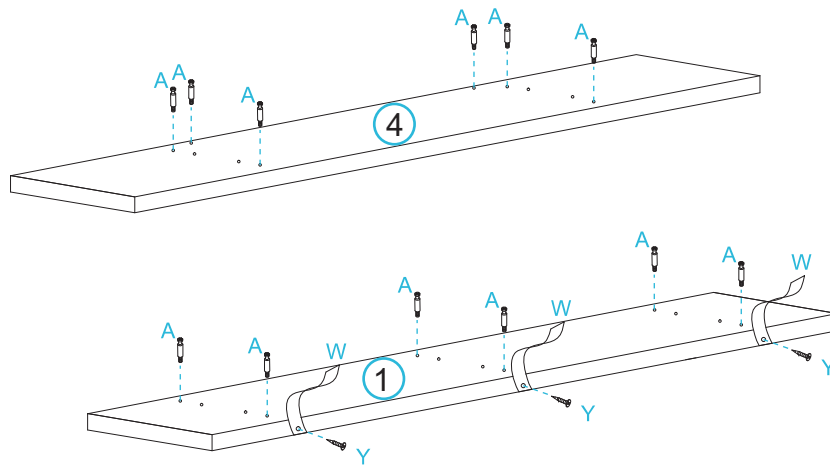
Insert 4x dowel (C) into panel [3].
Attach panels [8] and [13] to panel [3] with 6x locking nut (B).
Tighten with a screwdriver.
Place 4x cover (J) over locking nuts.

Oli Bookcase

Assembly Instructions

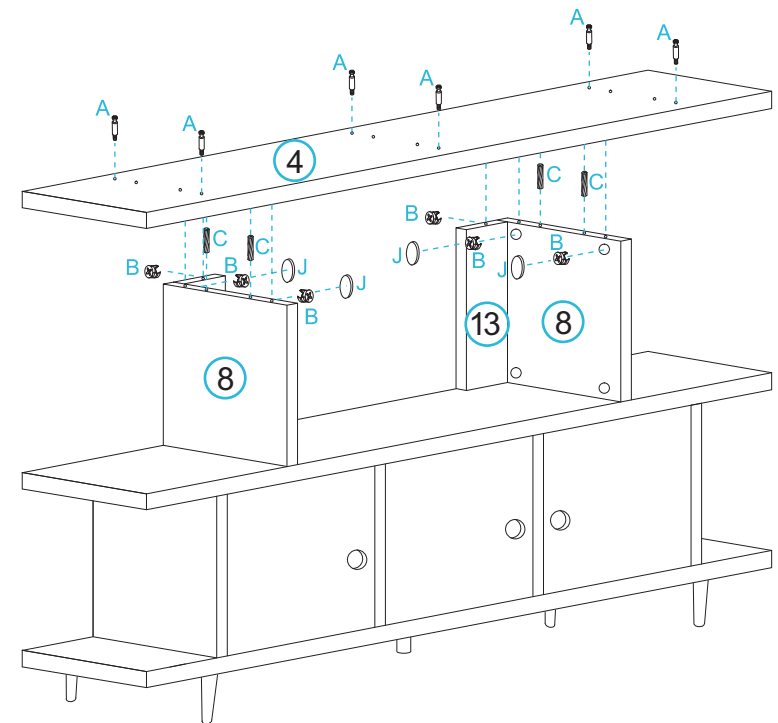
mocka

11



Attach 6x bolt (A) to the bottom side of panel [4].
Attach 6x bolt (A) to the bottom side of panel [1].
Attach 3x wall strap (W) to panel [1] with 3x screw (Y).
Tighten with a screwdriver.

12



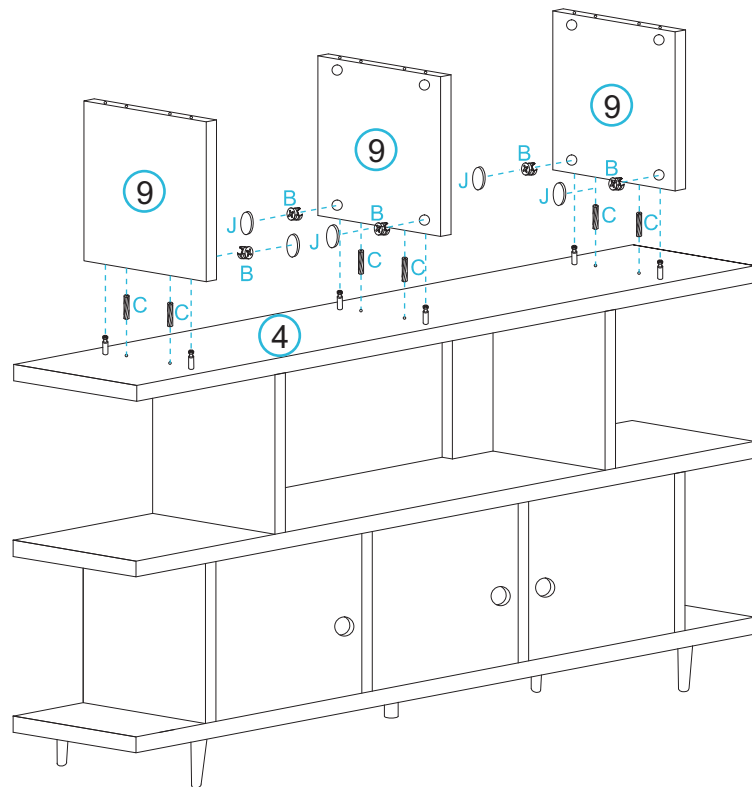
Insert 4x dowel (C) to panels [8].
Attach panel [4] to panels [8] and [13] with 6x locking nut (B).
Attach 6x bolt (A) to the top side of panel [4].
Tighten with a screwdriver.
Place 4x cover (J) over locking nuts on panel [8].

Oli Bookcase

Assembly Instructions

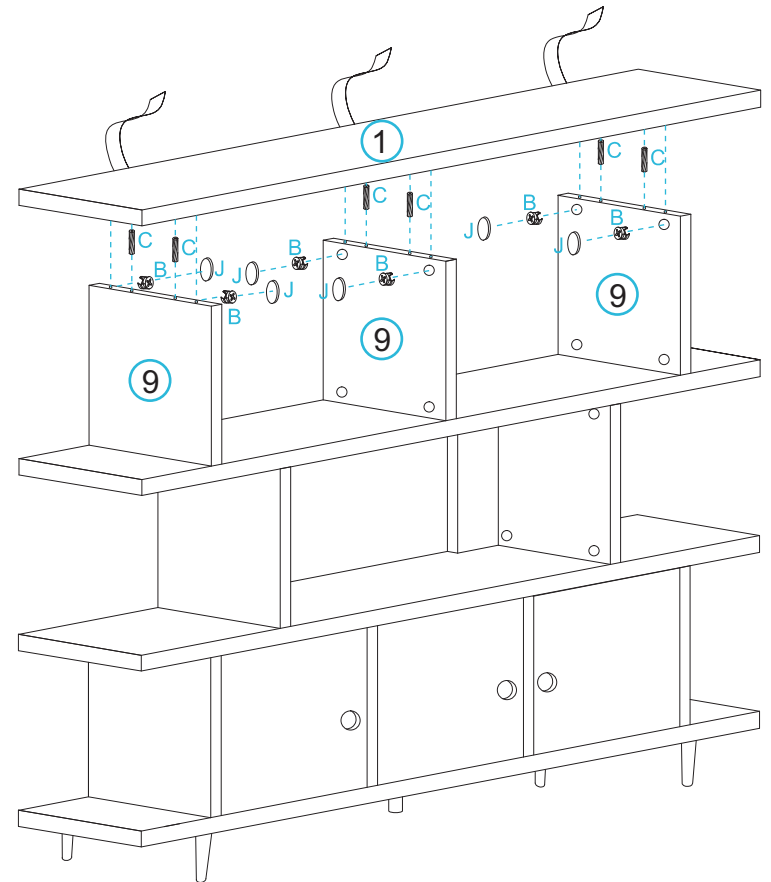
mocka

13



Insert 6x dowel (C) into panel [4].
Attach 3x panel [9] to panel [4] with 6x locking nut (B).
Tighten with a screwdriver.
Place 6x cover (J) over locking nuts.

14



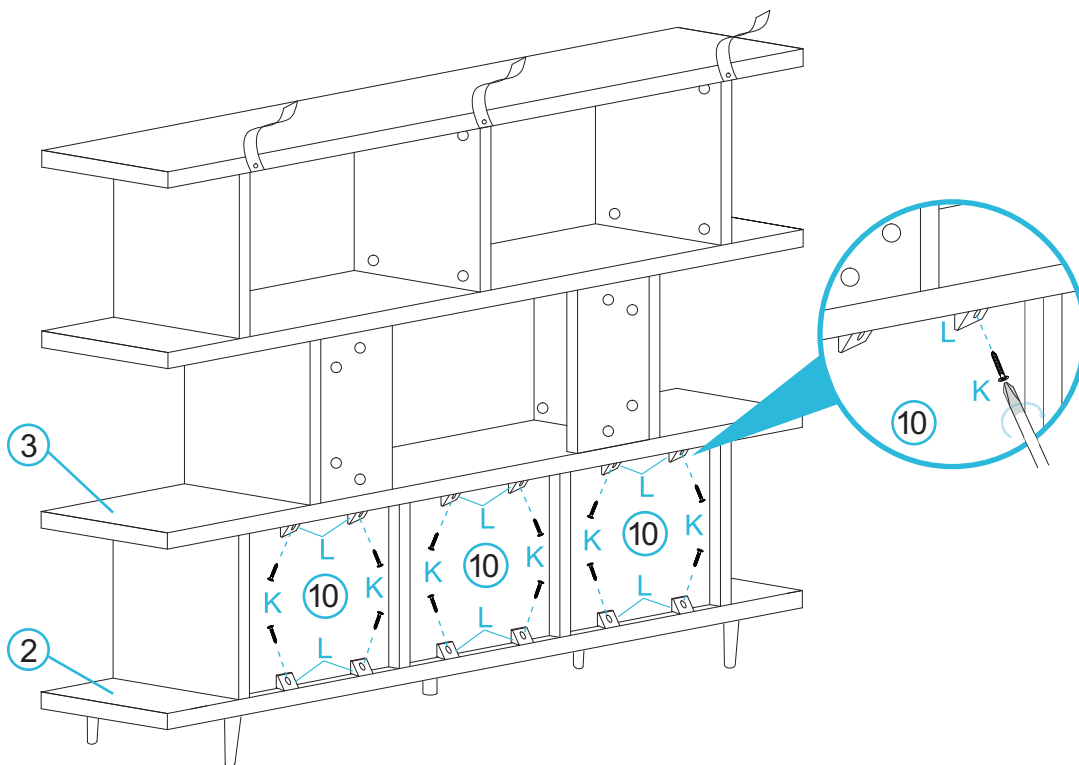
Insert 6x dowel (C) into panel [9].
Attach panel [1] to panels [9] with 6x locking nut (B).
Tighten with a screwdriver.
Place 6x cover (J) over locking nuts.

Oli Bookcase

Assembly Instructions

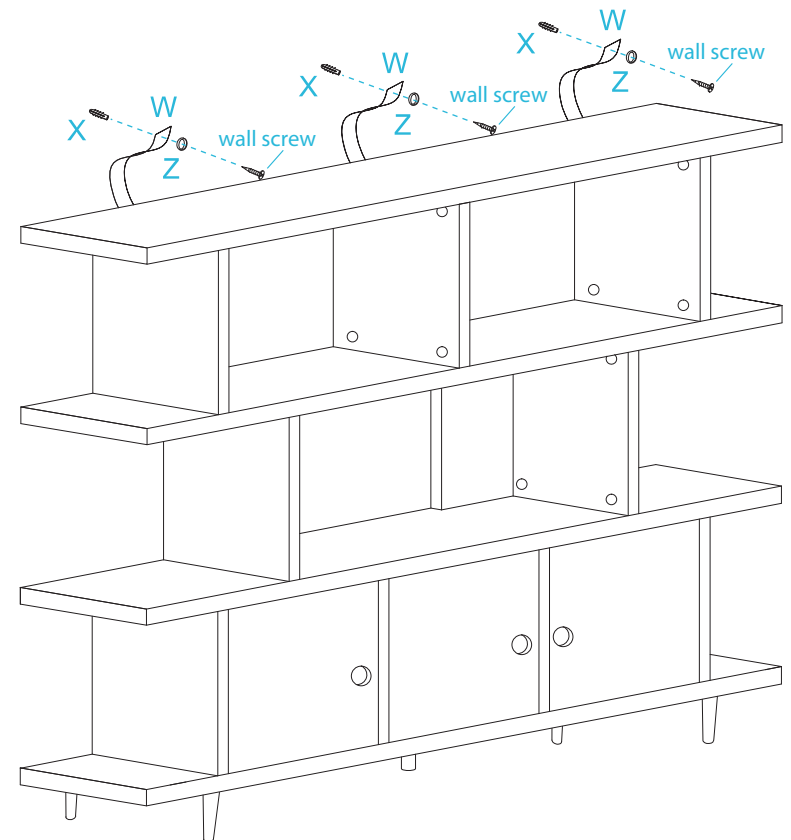
mocka

15



Place 12x wedge (L) onto the back of panels [10].
Attach wedges to panels [2] and [3] with 12x screw (K).
Tighten with a screwdriver.

16



Once assembled lift furniture into place, do not drag.
Use a drill to create a small hole lining up with the safety straps (W).
Fasten to the wall using 3x wall anchor (X), 3x washer (Z) and 3x wall screw.
Ensure unit is balanced and steady before use. You're done, enjoy!